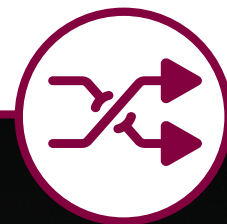


Grässlin Transition to **INTERMATIC**[®]

Cross Reference Guide



A Tradition of Manufacturing Excellence

For more than a century, Intermatic has built an enduring reputation for quality, innovation and service. Customers across the globe trust us to deliver reliable, easy-to-install lighting and energy control solutions that withstand the test of time.

With the divestiture of Grässlin GmbH, Intermatic has taken the opportunity to bring a selection of mechanical and digital timers formerly sold under the Grässlin brand directly under the Intermatic banner. We have been proud to help manufacture these high-quality solutions for years, and now we're thrilled to offer them with the Intermatic name.



We anticipate all formerly Grässlin-branded products will be available with new Intermatic labels and packaging by early 2022.



About **INTERMATIC**[®]



Intermatic is a family-owned company with a global mindset.

Our business started in Chicago, Illinois in 1891 where we specialized in manufacturing streetcar fare registers. By 1945, the company shifted focus and began developing mechanical and electrical timers with the very first "Inter-Matic" time switch. Our product portfolio broadened to include industrial- and commercial-grade controls starting in 1990 and would soon expand with a variety of progressive, energy-saving solutions.

Today, Intermatic offers an extensive catalog of lighting and energy controls, surge protection devices, weatherproof covers, and Wi-Fi enabled solutions as we continue to evolve and push the industry forward.



Headquartered in
Libertyville, Illinois



882,487 ft²
North American
Manufacturing Facility



Organizational Presence
in 35+ Countries
Across the Globe



100+ Years of
Manufacturing
Excellence

Time Switch Technology DIN Rail Timers

Part Number and Model Name Changes



020300031



022800011

DIN Rail Timer Series

Old Part #	Old Model Name	New Part #	New Model Name
01.06.0004.1	talento 111 mini	010600041	THE 111Mini 180
02.03.0003.1	talento 211 mini	020300031	THE 211Mini 133
01.28.0001.1	talento 111	012800011	THE 111 180
01.28.0003.1	talento 121	012800031	THE 121 180
02.28.0001.1	talento 211	022800011	THE 211 143
02.28.0004.1	talento 271	022800041	THE 271 143

Product Packaging and Labeling



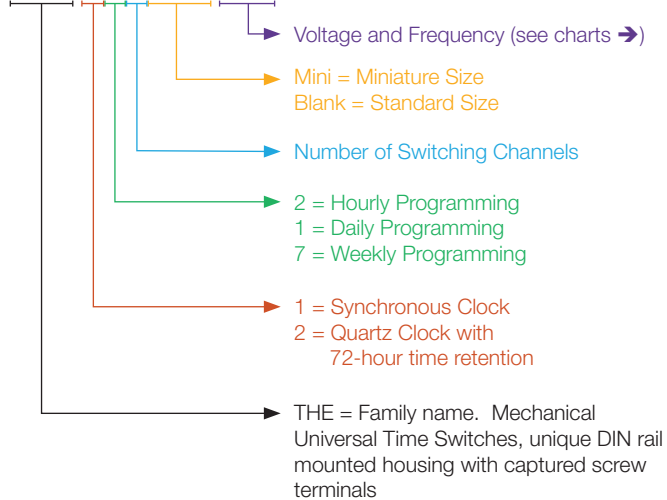
Old Product Packaging and Label



New Intermatic Product Packaging and Label

DIN Rail Timer Nomenclature

THE XXXMini ###



Voltage Breakdown	Nomenclature	Frequency Breakdown	Nomenclature
1.2-1.6 VDC	01	50 Hz	0
3 VDC	02	60 Hz	1
5 VDC	03	50-60 Hz	2
12-15 VDC / 24-36 VAC	04	45-60 Hz	3
18-26 VAC	05		
24 VAC	06		
24-30 VAC	07		
24-36 VDC / 48-72 VAC	08		
36-48 VAC	09		
48-72 VDC / 100-160 VAC	10		
48-72 VDC / 110-160 VAC	11		
100-160 VAC	12		
100-120 VDC / 220-240 VAC	13		
100-160 VDC / 220-240 VAC	14		
110-120 VAC	15		
110-127 VAC	16		
110-160 VDC / 220-240 VAC	17		
220-240 VAC	18		
230 VAC	19		
330-380 VAC	20		
110-230 VAC	21		

Time Switch Technology Universal Timers

Part Number and Model Name Changes



036100011



028000011

Universal Timer Series

Old Part #	Old Model Name	New Part #	New Model Name
03.61.0001.1	tactic 371.1 Plus	036100011	TCC 371.1Plus 192
03.62.0002.1	tactic 372.1 plus	036200021	TCC 372.1Plus 192
03.87.0001.1	tactic 571.1 plus	038700011	TCC 571.1Plus 192
03.87.0003.1	tactic 572.1 plus	038700031	TCC 572.1Plus 192
01.80.0001.1	tactic 111.1	018000011	TCC 111.1 180
01.80.0002.1	tactic 171.1	018000021	TCC 171.1 180
02.80.0001.1	tactic 211.1	028000011	TCC 211.1 173
02.80.0002.1	tactic 271.1	028000021	TCC 271.1 173
01.79.0030.1	tactic 111.2	017900301	TCC 111.2 180
01.79.0026.1	tactic 111.2	017900261	TCC 111.2 180
01.79.0010.1	tactic 111.2	017900101	TCC 111.2 181

Product Packaging and Labeling



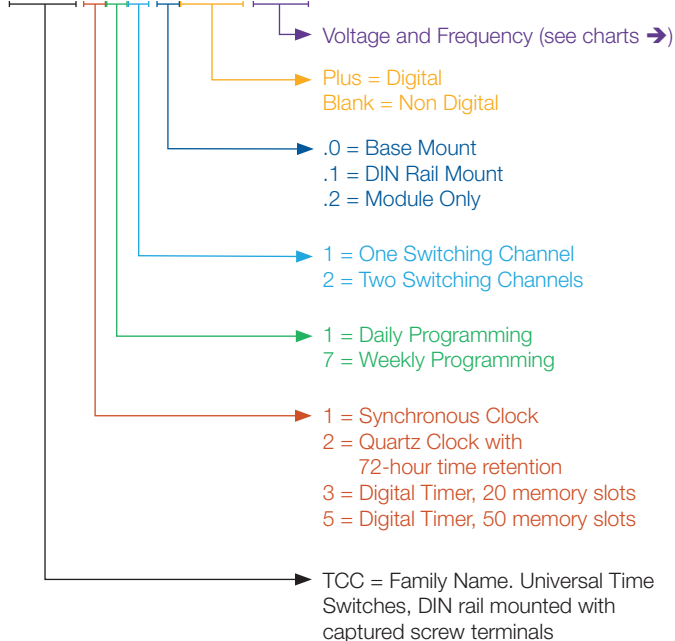
Old Product Packaging and Label



New Intermatic Product Packaging and Label

Universal Timer Nomenclature

TCC XXX.XPlus ###



Voltage Breakdown	Nomenclature	Frequency Breakdown	Nomenclature
1.2-1.6 VDC	01	50 Hz	0
3 VDC	02	60 Hz	1
5 VDC	03	50-60 Hz	2
12-15 VDC / 24-36 VAC	04	45-60 Hz	3
18-26 VAC	05		
24 VAC	06		
24-30 VAC	07		
24-36 VDC / 48-72 VAC	08		
36-48 VAC	09		
48-72 VDC / 100-160 VAC	10		
48-72 VDC / 110-160 VAC	11		
100-160 VAC	12		
100-120 VDC / 220-240 VAC	13		
100-160 VDC / 220-240 VAC	14		
110-120 VAC	15		
110-127 VAC	16		
110-160 VDC / 220-240 VAC	17		
220-240 VAC	18		
230 VAC	19		
330-380 VAC	20		
110-230 VAC	21		

Time Switch Technology Time Switch Modules

Part Number and Model Name Changes



035800171

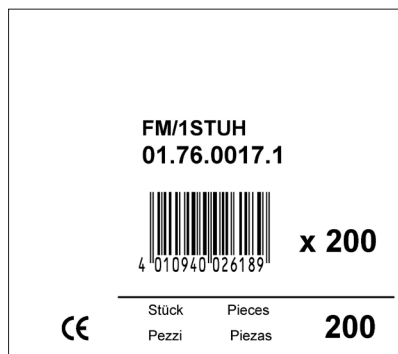


017600881

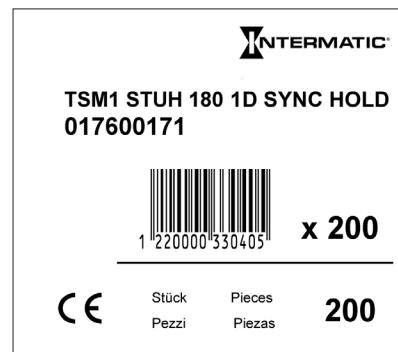
Time Switch Module Series

Old Part #	Old Model Name	New Part #	New Model Name
03.58.0017.1	FMD/120 230VAC	035800171	FMD/120 192
01.76.0088.1	FM/1STUZH	017600881	TSM1 STUZH 180
02.76.0075.1	FM/1QRTUZH	027600751	TSM1 QTUHZR 143
02.76.0076.1	FM/1QRWUZH	027600761	TSM1 QWUHZR 143
01.76.0017.1	FM/1STUH	017600171	TSM1 STUH 180
01.76.0107.1	FM/1STUZH	017601071	TSM1 STUZH 180
01.76.0163.1	FM/1SWU	017601631	TSM1 SWU 180

Product Labeling (No packaging changes)



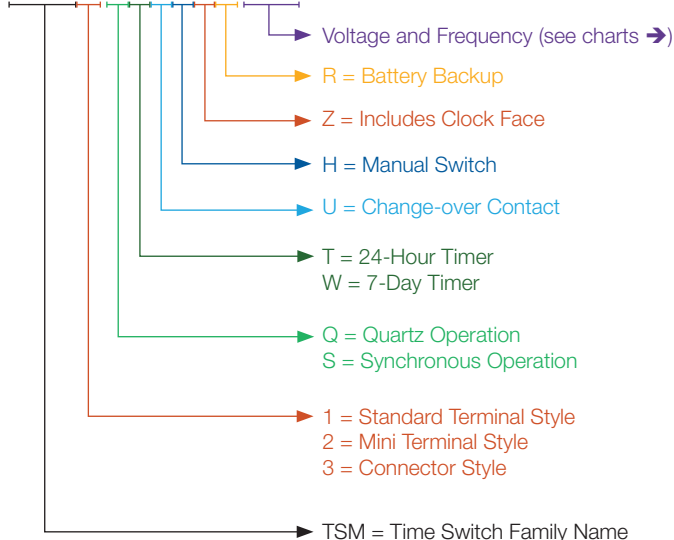
Old Product Label



New Intermatic Product Label

Time Switch Module Nomenclature

TSMX XXXXXX ###



Voltage Breakdown	Nomenclature	Frequency Breakdown	Nomenclature
1.2-1.6 VDC	01	50 Hz	0
3 VDC	02	60 Hz	1
5 VDC	03	50-60 Hz	2
12-15 VDC / 24-36 VAC	04	45-60 Hz	3
18-26 VAC	05		
24 VAC	06		
24-30 VAC	07		
24-36 VDC / 48-72 VAC	08		
36-48 VAC	09		
48-72 VDC / 100-160 VAC	10		
48-72 VDC / 110-160 VAC	11		
100-160 VAC	12		
100-120 VDC / 220-240 VAC	13		
100-160 VDC / 220-240 VAC	14		
110-120 VAC	15		
110-127 VAC	16		
110-160 VDC / 220-240 VAC	17		
220-240 VAC	18		
230 VAC	19		
330-380 VAC	20		
110-230 VAC	21		

Time Switch Technology Plug-In Timers

Part Number and Model Name Changes



16400011

Plug-In Timer Series

Old Part #	Old Model Name	New Part #	New Model Name
16.25.0008.1	topica 200S A	162500081	PT 200SF 180
16.25.0014.1	topica 200S F	162500141	PT 200 E 180
16.25.0005.1	topica 200S L	162500051	PT 200SJ 180
16.40.0001.1	topica 450S	164000011	PT 450SF 180
16.27.0001.1	topica 410 S	162700011	PT 410 F 180
16.27.0004.1	topica 410 S	162700041	PT 410SE 180
16.15.0001.1	topica 600	161500011	PT 600 F 192
16.15.0002.1	topica 600	161500021	PT 600 J 192

Product Packaging and Labeling



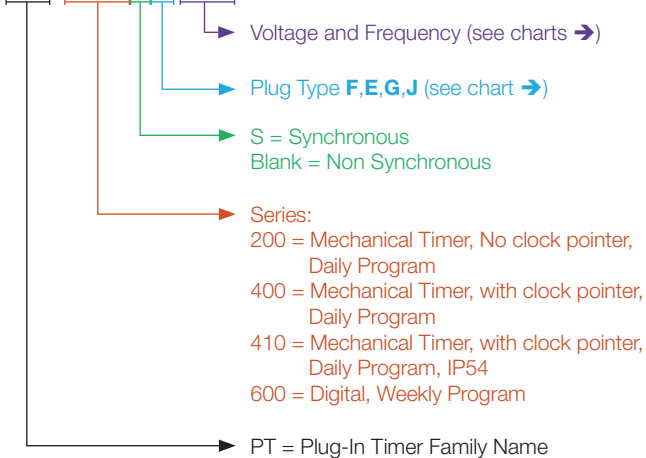
Old Product Packaging and Label



New Intermatic Product Packaging and Label

Plug-In Timer Nomenclature

PT XXXXX ###



Voltage Breakdown	Nomenclature	Frequency Breakdown	Nomenclature
1.2-1.6 VDC	01	50 Hz	0
3 VDC	02	60 Hz	1
5 VDC	03	50-60 Hz	2
12-15 VDC / 24-36 VAC	04	45-60 Hz	3
18-26 VAC	05		
24 VAC	06		
24-30 VAC	07		
24-36 VDC / 48-72 VAC	08		
36-48 VAC	09		
48-72 VDC / 100-160 VAC	10		
48-72 VDC / 110-160 VAC	11		
100-160 VAC	12		
100-120 VDC / 220-240 VAC	13		
100-160 VDC / 220-240 VAC	14		
110-120 VAC	15		
110-127 VAC	16		
110-160 VDC / 220-240 VAC	17		
220-240 VAC	18		
230 VAC	19		
330-380 VAC	20		
110-230 VAC	21		

Plug Types	
F	
E	
G	
J	

Lighting Controls Twilight Switches

Part Number and Model Name Changes



181800131

Twilight Switch Series

Old Part #	Old Model Name	New Part #	New Model Name
18.18.0013.1	turnus 501 A	181800131	TLS 501A 212
18.18.0014.1	turnus 501 E	181800141	TLS 501E 212

Product Packaging and Labeling

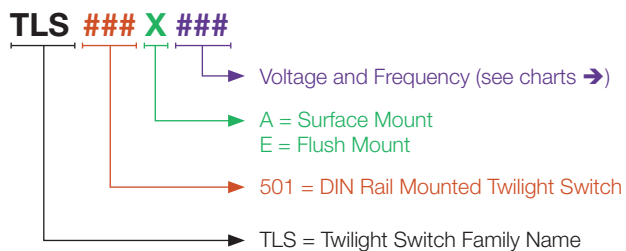


Old Product Packaging and Label



New Intermatic Product Packaging and Label

Twilight Switch Nomenclature



Voltage Breakdown	Nomenclature	Frequency Breakdown	Nomenclature
1.2-1.6 VDC	01	50 Hz	0
3 VDC	02	60 Hz	1
5 VDC	03	50-60 Hz	2
12-15 VDC / 24-36 VAC	04	45-60 Hz	3
18-26 VAC	05		
24 VAC	06		
24-30 VAC	07		
24-36 VDC / 48-72 VAC	08		
36-48 VAC	09		
48-72 VDC / 100-160 VAC	10		
48-72 VDC / 110-160 VAC	11		
100-160 VAC	12		
100-120 VDC / 220-240 VAC	13		
100-160 VDC / 220-240 VAC	14		
110-120 VAC	15		
110-127 VAC	16		
110-160 VDC / 220-240 VAC	17		
220-240 VAC	18		
230 VAC	19		
330-380 VAC	20		
110-230 VAC	21		

Temperature Controls Time Switches

Part Number and Model Name Changes



036100011



028000011

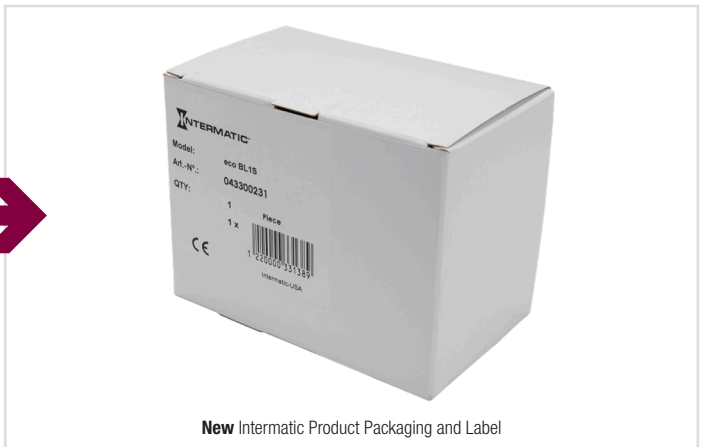
Immersion Heater Time Switch Series

Old Part #	Old Model Name	New Part #	New Model Name
04.33.0023.1	thermio™ eco BL1S	043300231	eco BL1S
04.33.0024.1	thermio™ eco BL7S	043300241	eco BL7S

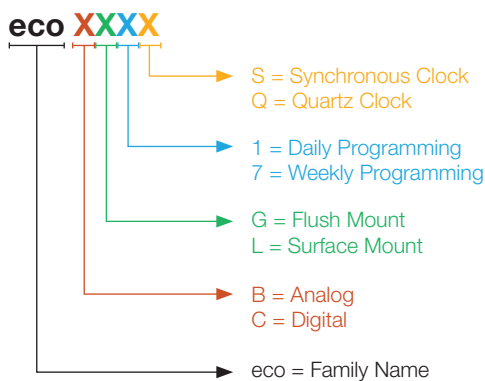
Universal Time Switch Series

Old Part #	Old Model Name	New Part #	New Model Name
04.36.0009.1	thermio™ eco BG1S	043600091	eco BG1S
04.36.0010.1	thermio™ eco BG7S	043600101	eco BG7S
04.36.0011.1	thermio™ eco BG1Q	043600111	eco BG1Q
04.36.0012.1	thermio™ eco CG7	043600121	eco CG7

Product Packaging and Labeling



Immersion Heater Time Switch Nomenclature



Hour Meters

Part Number and Model Name Changes



052000291



052000041

Hour Meters

Old Part #	Old Model Name	New Part #	New Model Name
05.15.1001.1	taxxo 100	051510011	HM SS -48 180
05.15.1016.1	taxxo 112	051510161	HM SFT-48 050
05.15.1031.1	taxxo 112	051510311	HM SFT-48 161
05.15.1038.1	taxxo 112	051510381	HM SFT-48 180
05.20.0033.1	taxxo 612	052000331	HM RPT-36 200
05.20.0004.1	taxxo 712	052000041	HM RPT-55 180
05.20.0029.1	taxxo 712	052000291	HM RPT-55 150
05.21.0001.1	taxxo 403	052100011	HM SD -35 180
05.21.0006.1	taxxo 403	052100061	HM SD -35 200

Product Packaging and Labeling



Old Product Packaging and Label



New Intermatic Product Packaging and Label

Hour Meter Nomenclature

HM XXX-XX ###

Voltage and Frequency (see charts →)

Width or diameter

35 - 35 mm

36 - 36 mm

48 - 48 mm

52 - 52 mm

55 - 55 mm

Access screw

T = Rear access screw terminal

Blank = No rear access screw terminal

Mounting

F = Flush

S = Surface

D = DIN mount

P = Plug in surface mount

Shape

S = Square

R = Rectangle

HS = Hour Meter Family with Wechselstrom (alternating current) and clock face/dial

Voltage Breakdown	Nomenclature	Frequency Breakdown	Nomenclature
1.2-1.6 VDC	01	50 Hz	0
3 VDC	02	60 Hz	1
5 VDC	03	50-60 Hz	2
12-15 VDC / 24-36 VAC	04	45-60 Hz	3
18-26 VAC	05		
24 VAC	06		
24-30 VAC	07		
24-36 VDC / 48-72 VAC	08		
36-48 VAC	09		
48-72 VDC / 100-160 VAC	10		
48-72 VDC / 110-160 VAC	11		
100-160 VAC	12		
100-120 VDC / 220-240 VAC	13		
100-160 VDC / 220-240 VAC	14		
110-120 VAC	15		
110-127 VAC	16		
110-160 VDC / 220-240 VAC	17		
220-240 VAC	18		
230 VAC	19		
330-380 VAC	20		
110-230 VAC	21		

Timers | Lighting Controls | Temperature Controls | Hour Meters | Accessories | Plugs

