

International Portfolio By Intermatic

Timers | Lighting Controls | Temperature Controls | Hour Meters | Accessories | Plugs



Intermatic.com



Timers



THE 111Mini 180



THE 111 180



TCC 111.1 180



TSM1 STUHZ 180



PT 200SF 180



PT 400SF 180

Product	Part Number	Control Type	Input Voltage/Frequency	Description
DIN RAIL TIMERS				
THE 111Mini 180	010600041	Analog	AC 220-240 V \pm 10 % 50 Hz	1 channel, number of modules 1, daily program, synchronous
THE 211Mini 133	020300031	Analog	AC 200-240 V \pm 10 % 45/60 Hz, DC 100-120 V	1 channel, number of modules 1, daily program, quartz
THE 111 180	012800011	Analog	AC 220-240 V \pm 10 % 50 Hz	1 channel, number of modules 3, daily program, synchronous
THE 121 180	012800031	Analog	AC 220-240 V \pm 10 % 50 Hz	1 channel, number of modules 3, hourly program, synchronous
THE 211 143	022800011	Analog	AC 200-240 V \pm 10 % 45/60 Hz, DC 100-120 V	1 channel, number of modules 3, daily program, quartz
THE 271 143	022800041	Analog	AC 200-240 V \pm 10 % 45/60 Hz, DC 100-120 V	1 channel, number of modules 3, weekly program, quartz
UNIVERSAL TIMERS				
TCC 111.1 180	018000011	Analog	AC 220-240 V \pm 10 % 50 Hz	1 channel, daily program, synchronous
TCC 171.1 180	018000021	Analog	AC 220-240 V \pm 10 % 50 Hz	1 channel, weekly program, synchronous
TCC 211.1 173	028000011	Analog	AC 200-240 V \pm 10 % 45/60 Hz, DC 100-120 V	1 channel, daily program, quartz
TCC 271.1 173	028000021	Analog	AC 200-240 V \pm 10 % 45/60 Hz, DC 100-120 V	1 channel, weekly program, quartz
TCC 111.2 180	017900301	Analog	AC 220-240 V \pm 10 % 50 Hz	1 channel, daily program, synchronous, with hold
TCC 111.2 180	017900261	Analog	AC 220-240 V \pm 10 % 50 Hz	1 channel, daily program, synchronous, no clock face, black housing
TCC 111.2 181	017900101	Analog	AC 220-240 V \pm 10 % 60 Hz	1 channel, daily program, synchronous, with hold
TIME SWITCH MODULES				
TSM1 STUHZ 180	017600881	Analog	AC 220-240 V \pm 10 % 50 Hz	1 channel, daily program, synchronous
TSM1 QTUHZR 143	027600751	Analog	AC 230 V \pm 10 % 45/60 Hz, DC 130 V	1 channel, daily program, quartz
TSM1 QWUHZR 143	027600761	Analog	AC 230 V \pm 10 % 45/60 Hz, DC 130 V	1 channel, weekly program, quartz
TSM1 STUH 180	017600171	Analog	AC 220-240 V \pm 10 % 50 Hz	1 channel, daily program, synchronous, with hold, no clock face
TSM1 STUHZ 180	017601071	Analog	AC 220-240 V \pm 10 % 50 Hz	1 channel, daily program, synchronous, with hold
TSM1 SWU 180	017601631	Analog	AC 220-240 V \pm 10 % 50 Hz	1 channel, weekly program, synchronous
PLUG-IN TIMERS				
PT 200SF 180	162500081	Analog	AC 220-240 V \pm 10 % 50 Hz	Plug type F* , daily program, without hands
PT 200 E 180	162500141	Analog	AC 220-240 V \pm 10 % 50 Hz	Plug type E* , daily program, without hands
PT 200SJ 180	162500051	Analog	AC 220-240 V \pm 10 % 50 Hz	Plug type J* , daily program, without hands
PT 450SF 180	164000011	Analog	AC 220-240 V \pm 10 % 50 Hz	Plug type F* , weekly program, analog hands
PT 410 F 180	162700011	Analog	AC 220-240 V \pm 10 % 50 Hz	Plug type F* , daily program, analog hands, IP54
PT 410SE 180	162700041	Analog	AC 220-240 V \pm 10 % 50 Hz	Plug type E* , daily program, analog hands, IP54

*Plug type variants chart located on back page

Lighting Controls



TLS 501A

Product	Part Number	Control Type	Input Voltage/Frequency	Description
TWILIGHT SWITCHES				
TLS 501A 212	181800131	Analog	AC 110-230 V \pm 10 % 50/60 Hz	1 channel, 2 - 500 lux, surface mounting
TLS 501E 212	181800141	Analog	AC 110-230 V \pm 10 % 50/60 Hz	1 channel, 2 - 500 lux, flush mounting

Temperature Controls



eco BG1S



eco CG7

Product	Part Number	Control Type	Input Voltage/Frequency	Description
IMMERSION HEATER TIME SWITCHES				
eco BL1S	043300231	Analog	AC 230 V ± 10 % 50/60 Hz	Analog immersion heater time switch, daily program
eco BL7S	043300241	Analog	AC 230 V ± 10 % 50/60 Hz	Analog immersion heater time switch, weekly program
UNIVERSAL TIME SWITCHES				
eco BG1S	043600091	Analog	AC 230 V ± 10 % 50/60 Hz	Analog universal time switch, daily program
eco BG7S	043600101	Analog	AC 230 V ± 10 % 50/60 Hz	Analog universal time switch, weekly program
eco BG1Q	043600111	Analog	AC 230 V ± 10 % 50/60 Hz	Analog universal time switch, quartz, daily program
eco CG7	043600121	Digital	AC 230 V ± 10 % 50/60 Hz	Digital universal time switch, weekly program

Hour Meters



HM SS -48



HM SD -35



HM SFT-48



HM RPT-36



HM RPT-55

Product	Part Number	Control Type	Input Voltage/Frequency	Description
HOURL METERS				
HM SS -48 180	051510011	Analog	AC 220-240 V ± 10 % 50 Hz	Surface mount, gray housing
HM SFT-48 050	051510161	Analog	AC 18-26 V ± 10 % 50 Hz	Flush mount, black housing
HM SFT-48 161	051510311	Analog	AC 110-127 V ± 10 % 60 Hz	Flush mount, black housing
HM SFT-48 180	051510381	Analog	AC 220-240 V ± 10 % 50 Hz	Flush mount, black housing
HM RPT-36 200	052000331	Analog	AC 330-380 V ± 10 % 50 Hz	Flush mount, black housing
HM RPT-55 180	052000041	Analog	AC 220-240 V ± 10 % 50 Hz	Flush mount, black housing
HM RPT-55 150	052000291	Analog	AC 110-120 V ± 10 % 50 Hz	Flush mount, black housing
HM SD -35 180	052100011	Analog	AC 220-240 V ± 10 % 50 Hz	DIN mount, gray housing
HM SD -35 200	052100061	Analog	AC 330-380 V ± 10 % 50 Hz	DIN mount, gray housing

Accessories



Baffle 55 x 55



Wall Install Kit 2-3 TE



Glass



Seal



Base, 1-Channel



Spring Clip



Installation Base



Terminal Cover, 1-Channel



Sealing Glass



LF Flush-Mounted Sensor



LF Surface-Mounted Sensor

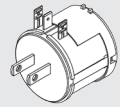
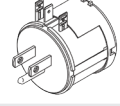
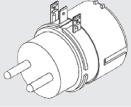
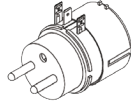
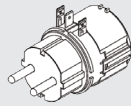
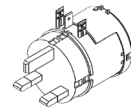
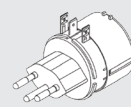


LF Cap

Product	Part Number	Description
Accessories		
Accessory THE	035300832	Wall installation kit 2-3 TE
Accessory TCC	180-0051	Glass
Accessory TCC	014500176	Seal
Accessory TCC	017800022	Base, 1-channel
Accessory TCC	180-0017	Terminal cover, 1-channel
Accessory TCCplus	035200032	Base, 2-channel
Accessory TCCplus	035200066	Catch frame, 2-channel
Accessory TCC	017900022	Installation base
Accessory TSM1	017600546	Glass
Accessory TLS 501A	070200062	LF surface-mounted sensor
Accessory TLS 501E	070200072	LF flush-mounted sensor
Accessory TLS	070200032	LF cap
Accessory HM SS -48 180	501200014	Wall-mounted housing
Accessory HM SFT-48	6--00331	Catch frame
Accessory HM SFT-48	051500656	Baffle 55 x 55
Accessory HM SFT-48	051500616	Baffle 72 x 72
Accessory HM RPT-36 200	052000266	Spring clip
Accessory HM RPT-55	6--00330	Catch frame

Plugs

Product	Part Number	Specs	Input Voltage/Frequency	Description
PLUG MODULES				
PM FC	162500012	16 A / 250 V AC	AC 230 V ± 10 % 50/60 Hz	Plug type F , with enhanced contact protection
PM F	162500172	16 A / 250 V AC	AC 230 V ± 10 % 50/60 Hz	Plug type F , without enhanced contact protection
PM CC	162500032	10 A / 250 V AC	AC 230 V ± 10 % 50/60 Hz	Plug type C , with enhanced contact protection
PM EC	162500052	16 A / 250 V AC	AC 230 V ± 10 % 50/60 Hz	Plug type E , with enhanced contact protection
PM JC	162500042	10 A / 250 V AC	AC 230 V ± 10 % 50/60 Hz	Plug type J , with enhanced contact protection
PM KC	162500272	10 A / 250 V AC	AC 230 V ± 10 % 50/60 Hz	Plug type K , with enhanced contact protection
PM GC	162500022	13 A / 250 V AC	AC 230 V ± 10 % 50/60 Hz	Plug type G , with enhanced contact protection
PM B	162500112	10 A / 250 V AC	AC 115 V ± 10 % 50/60 Hz	Plug type B , without enhanced contact protection
PM A	162500202	10 A / 250 V AC	AC 115 V ± 10 % 50/60 Hz	Plug type A , without enhanced contact protection

Plug Type	Plug
A	
B	
C	
E	
F	
G	
J	
K	