

Intermatic Product Catalog

Lighting Controls | Surge Protection | Weatherproof Covers | Pool & Spa Solutions
Timers | HVAC/R Solutions | Photocontrols



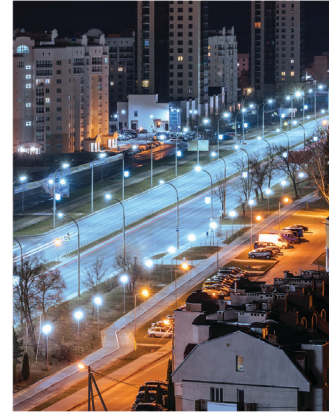
Intermatic.com



Built to Withstand the Test of Time

For more than a century, Intermatic has built an enduring reputation for quality, innovation and service. We're proud that contractors across the globe trust us to deliver reliable, easy-to-install lighting and energy control solutions that withstand the test of time.

From basic mechanical time switches and pool and spa controls to robust commercial lighting controls, our product line has evolved to meet the many unique needs of our customers. Today, you'll find Intermatic solutions in a wide variety of residential, commercial, industrial and utility applications, as well as integrated into countless OEM solutions.



Residential: Our versatile product portfolio offers homeowners convenience, energy savings and security. We stand proud as industry leaders within the surge protection and outdoor receptacle cover categories.

Commercial: We deliver state-of-the-art solutions that align with energy and building codes while enhancing occupant comfort. Our contractor-focused products offer simple installation, low maintenance and easy scalability.

Industrial: In addition to the advanced electronic timer controls that are frequently used in industrial applications, we specialize in industrial-grade surge protection, as well as machinery and pump controls.

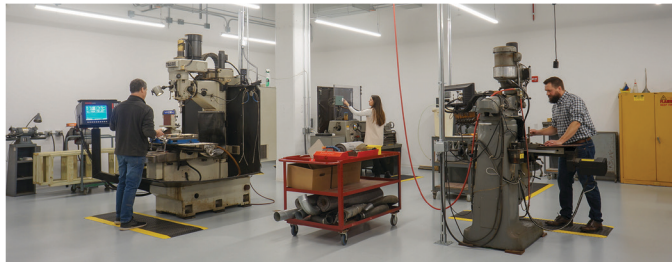
Utility: Our durable utility solutions connect communities across the globe. We're the industry leader in outdoor lighting controls and are influential in driving conversion to electronic photocontrols worldwide.

A Tradition of Manufacturing Excellence

From our humble beginnings in 1891 onward, we've embraced new challenges and sought ways to push the industry forward. Our longstanding tradition of manufacturing excellence is at the heart of our success.

Likewise, central to this is our 882,487 square foot manufacturing facility in Juarez, Mexico, which allows us to implement progressive manufacturing processes while ensuring the highest product quality and design standards. The ISO 9001:2015 certified space includes plastic injection tooling, plastic injection molding, metal stamping and circuit board printing machinery, as well as more than 40 on-site specialty engineers to oversee daily operations.

On-site CSA and UL-Certified labs support an iterative design philosophy that helps us get products into the hands of customers faster while maintaining rigorous design and quality standards.



Energized for the Future

As we push forward, we're eager to tackle new challenges and share innovative new technology with our customers. Here are just a few of the key areas we're focused on as we look towards the future.



Scalable Smart Technology: Businesses and homeowners understand the importance of flexibility. New solutions like our ARISTA® Advanced Lighting Control System and ABRA Smart Lighting System take this to heart with modular components that work together but can also be easily modified as needs change.

Automated Manufacturing: By upgrading our manufacturing systems and processes, we're able to build on our high standards of quality and performance while getting new solutions to customers faster.

Enhanced LED Compatibility: We've helped usher in a new standard of LED lighting control technology. Our mission is to help customers optimize energy savings and reduce maintenance needs with a suite of LED-compatible lighting controls designed specifically to match the life expectancy of LED fixtures.

Diverse OEM Partnerships: Manufacturers partner with Intermatic to help bring their visions to life, with projects ranging from temperature controls to industrial equipment. Each OEM connection is an opportunity to integrate new technologies and enhance our core solutions.



Local Values, Global Impact

From our North American headquarters in Libertyville, Illinois to Southeast Asia and beyond, Intermatic has a presence in 35+ countries worldwide. Local values and a global perspective help our company develop meaningful solutions that are tailored to the needs of our diverse and growing customer base.



Inside this Catalog

Our product catalog is designed to provide you with all of the necessary information you need to make a purchasing decision.

Easily find the product category with color-coded sections.

Product description, applications & features


Product photos

Ratings and model charts

Additional helpful information such as dimensional drawings and wiring diagrams

Refer to the product index in the front of the book for a complete list by Model #

Advanced Lighting Controls
ARISTA Controllers



1 Channel 0-10V Lighting/Plug Load Controller
ALC1-R LIGHTING CONTROLLER

The ALC1-R lighting controller is a single channel 0-10 V dimming controller designed to work with ARISTA Lighting Control System by Intermatic. These units can work with either 0-10 V or 1-10 V lighting fixtures, including LED or plug load control. Once installed, the ALC1-R plug can be configured to work in either scheduling, sensing, or a combination of both, providing maximum energy efficiency as well as occupant comfort. These units can be configured for either wireless or wired communications, and offer Bluetooth Mesh technology for wireless communications. Secure Bluetooth® 5.0 mesh technology allows installers to quickly connect this device and configure settings via the ARISTA app without connecting to a Wi-Fi network.

APPLICATIONS
Dimming • Indoor Lighting Control • Timing/Scheduling ON/OFF


FEATURES

- Wired or wireless communications
- Provides 24/DC for wired devices
- Allows for 1 wired analog input
- Allows for 2 wired digital inputs
- Works with 0-10 V or 1-10 V luminaires
- 165-Day scheduling including holidays
- Programmable time saving alert
- Programmable light alert


| Model # | Description | Mount Type |
|---------|--|----------------|
| ALC1-R | 1 Channel 0-10 V Lighting/Plug Load Controller | Electrical Box |

WIRING DIAGRAMS

Scan to learn more about the ALC1-R wiring information.



Advanced Lighting Controls
ARISTA Wall Mount & In-Wall Sensors



WALL MOUNT OCC/VAC SENSORS
ALC-WM-DT BT & ALC-WM-BT

The most recent Occupancy/Vacancy Sensors designed for use with the ARISTA Lighting Control System by Intermatic and will control lighting based upon occupancy/vacancy. If the space is configured for occupancy and movement is detected, the sensor informs the ARISTA controller(s) in the space and the lights will illuminate. The light will turn OFF after the sensor has been in the most recent and the longest period expires. If space is configured for vacancy, the ARISTA controller(s) in the space will only react when they are manually activated. The lights will turn off after the sensor detects the space vacant and the longest period expires. Secure Bluetooth® 5.0 mesh technology allows installers to quickly connect this device and configure settings via the ARISTA app without connecting to a Wi-Fi network.

APPLICATIONS
Indoor Lighting Control • Indoor Sensing Control

FEATURES

- Wired or wireless communications
- Remote battery replacement
- Multiple mounting options
- Adjustable sensitivity settings
- Independent settings for Ultrasonic and PIR sensor technologies
- Adjustable time-out settings

| Model # | Description | Coverage Range (ft) |
|--------------|-------------------------------------|--|
| ALC-WM-DT-BT | Dual Tech Wall Mount OCC/VAC Sensor | PIR 1500 ft ² / UE 5000 ft ² |
| ALC-WM-BT | PIR Wall Mount OCC/VAC Sensor | 1500 ft ² |

IN-WALL OCC/VAC SENSORS
ALC-DT-BT-WH & ALC-Pt-BT-WH


The In-Wall Occupancy/Vacancy Sensors designed for use with the ARISTA Lighting Control System by Intermatic and will control lighting based upon occupancy/vacancy. If the space is configured for occupancy and movement is detected, the sensor informs the ARISTA controller(s) in the space and the lights will illuminate. The lights will turn off after the ARISTA controller(s) in the space and the longest period expires. If the space is configured for vacancy, the ARISTA controller(s) in the space will only react when they are manually activated. The lights will turn off after the sensor detects the space vacant and the longest period expires. The ALC-DT-BT-WH also utilizes a built-in switch that can be used as a manual override to the programmed ARISTA controller(s). Secure Bluetooth® 5.0 mesh technology allows installers to quickly connect this device and configure settings via the ARISTA app without connecting to a Wi-Fi network.

APPLICATIONS
Indoor Lighting Control • Indoor Sensing Control

FEATURES

- 120-277 VAC
- Wireless communications
- Eliminates 3-wire and multi-wire wiring
- Adjustable sensitivity settings
- Independent settings for Ultrasonic and PIR sensor technologies
- Programmable ON/OFF button
- Can be used for occupancy or vacancy applications
- LED indicator for easy identification


| Model # | Description | Coverage Range (ft) |
|--------------|----------------------------------|---|
| ALC-DT-BT-WH | Dual Tech In-Wall OCC/VAC Sensor | PIR 1500 ft ² / UE 400 ft ² |
| ALC-Pt-BT-WH | PIR In-Wall OCC/VAC Sensor | 1500 ft ² |



| Model # | Description | Mount Type |
|-----------|--|----------------|
| ALC-WM-DT | 2 Channel 0-10 V Lighting/Plug Load Controller | Surface Mount |
| ALC-WM-BT | 4 Channel 0-10 V Lighting/Plug Load Controller | Surface Mount |
| ALC-WM | 1 Channel Plug Load Controller | Electrical Box |

ADDITIONAL CONTROLLERS

Intermatic's ARISTA product line is constantly expanding. Please contact an Intermatic sales representative or visit intermatic.com for more information and availability.



Any required or additional accessories are listed in the back of each section

Visit the New Intermatic.com Today!

From product sell sheets and wiring diagrams to technical support and how-to content, the new intermatic.com is your go-to resource for all things Intermatic.

We've recently updated our website to showcase the many markets and applications Intermatic solutions can be used in while emphasizing the resources contractors and distributors need to make important buying decisions.

Visit intermatic.com on your computer, tablet or smartphone for a seamless browsing experience that's full of helpful content. In addition to the website's updated look and feel, we've added time-saving features, such as online chat support and a product cross reference guide, to get customers the answers they need as quickly as possible.



Table of Contents

| | |
|--|---|
| Advanced Lighting Controls.....10-19 | Hour Meters..... 100-105 |
| Solutions.....10-11 | Solutions.....100-101 |
| ARISTA® Introduction.....12-13 | AC Hour Meters (Non-Reset Type).....102 |
| ARISTA® Controllers.....14 | DC & Vibratory Hour Meters (Non-Reset Type) / AC Hour Meters (Non-Reset Type).....103 |
| ARISTA® Wall-Mount & In-Wall Sensors.....15 | AC Hour Meters (Non-Reset Type) and Accessories.....104 |
| ARISTA® Ceiling Mount Sensors.....16 | Dimensional Drawings.....105 |
| ARISTA® Daylight Harvester & In-Wall Dimmer.....17 | Refrigeration Temperature Controls..... 106-117 |
| ARISTA® System Solution.....18 | Solutions.....106-107 |
| NightScape Introduction.....19 | 24-Hour Electromechanical Defrost Timer.....108-109 |
| Electronic Controls.....20-37 | 24-Hour and/or 7-Day Electronic Defrost Timer.....110 |
| Solutions.....20-21 | DTAV40 Wiring Diagrams/Enclosure and Bracket Dimensions.....111 |
| Advanced Time Switch.....22-23 | Split Mount Refrigeration Controllers.....112-113 |
| Basic Plus Series.....24-25 | 24-Hour and/or 7-Day Electronic Defrost Timer.....114-115 |
| Basic Series.....26-27 | Controller Wiring Diagrams.....116 |
| Electronic All Purpose Contractor Box.....28-29 | Accessories.....117 |
| Panel, Surface/DIN Rail or Flush Mount, 24-Hour or 7-Day.....30-31 | Surge Protection..... 118-133 |
| Surface/DIN Rail Mount - 24-Hour or 7-Day.....32 | Solutions.....118-119 |
| Flush and Surface Mount - 24-Hour or 7-Day.....33 | Surge Protection Education.....120-123 |
| Enclosed Timer Module - 24-Hour.....34-35 | Type 1 or 2 SPD for Industrial/Commercial.....124-127 |
| Accessories & Enclosures.....36-37 | Light Commercial or Outdoor Surge Protection.....128 |
| Mechanical Time Switches..... 38-53 | Type 1 or 2 SPD for Residential and Light Commercial.....129-131 |
| Solutions.....38-39 | Type 3 SPD for Commercial and Industrial.....132 |
| 24-Hour.....40 | Type 2 SPD - Includes Telephone and Coax Line Protection.....133 |
| 24-Hour with Skip-a-Day.....41 | HVAC Surge & Power Protection..... 134-139 |
| 24-Hour with 15-Minute Interval.....42 | Solutions.....134-135 |
| 24-Hour Heavy Duty.....43 | Type 1 or 2 Surge Protective Device.....136 |
| 7-Day.....44-46 | HVAC Power Protection Device.....138-139 |
| Panel Mount, 24-Hour or 7-Day.....47 | Weatherproof Covers..... 140-153 |
| Flush or Surface/DIN Rail Mount, 24-Hour.....48 | Solutions.....140-143 |
| Flush or Surface/DIN Rail Mount, 7-Day.....49 | Low-Profile Extra-Duty Plastic Covers.....142-143 |
| Electromechanical, 24-Hour or 7-Day.....50 | Extra-Duty Die-Cast In-Use Covers.....144-145 |
| Enclosed Timer Module, 24-Hour or 7-Day.....51 | Extra-Duty Plastic In-Use Covers.....146-147 |
| Accessories & Enclosures.....52-53 | Plastic In-Use Covers.....148-151 |
| Specialty Time Switches..... 54-59 | Accessories.....152 |
| Solutions.....54-55 | Code Compliance.....153 |
| Percentage Cycle Timer.....56 | Pool & Spa..... 154-185 |
| Sprinkler/Irrigation Time Switches.....57 | Solutions.....154-155 |
| Electromechanical Water Heater Timers.....58 | Mechanical Controls.....156-157 |
| Water Heater Timers.....59 | Mechanical Control Centers.....158-163 |
| In-Wall Timers.....60-73 | Load Centers.....164-165 |
| Solutions.....60-61 | Transformers.....166 |
| ASCEND® Series.....62-63 | Junction Boxes.....167 |
| 7-Day Programmable Timers.....64-65 | Electronic Controls.....168-169 |
| 24-Hour Programmable Timers.....66-67 | Electronic Control Centers.....170-172 |
| Electronic Countdown Timers.....68-69 | Wireless Electronic Controls.....173 |
| Mechanical Spring Wound Countdown Timers.....70-71 | Wireless Add-On Components.....174 |
| In-Wall Timer Comparison Chart.....72 | Valve Actuators.....175 |
| Accessories.....73 | Freeze Protection.....176 |
| Plug-In Timers..... 74-79 | Remote Controls.....177 |
| Solutions.....74-75 | Air Switch.....178 |
| Indoor.....76 | Panel Mount Timers.....179 |
| Outdoor.....78-79 | Surge Protection.....180 |
| Occupancy Sensors..... 80-87 | Specialty Controls.....181 |
| Solutions.....80-81 | Electronic Panel Mount Timers.....182 |
| Sensor Education.....82 | Portable Timers & Enclosures.....184 |
| Low-Voltage Ceiling Mount.....83 | Accessories.....185 |
| Line Voltage Ceiling Mount.....84 | Enclosures and Reference..... 186-193 |
| Commercial Grade In-Wall.....85 | Solutions.....186-187 |
| Self Adaptive In-Wall.....86 | Metal Enclosures.....188 |
| Residential In-Wall.....87 | Plastic Enclosures.....189 |
| Photocontrols..... 88-99 | Specialty Mounting Options.....190 |
| Solutions.....88-89 | NOM.....191 |
| Product Line Overview.....90-91 | Timer Selection Guide.....192-193 |
| Locking Type Electronic.....92 | |
| Fixed Mount Electronic.....93 | |
| Locking Type Thermal.....94 | |
| Fixed Mount Thermal.....95 | |
| Button and Wall Mount Thermal / Power Tap Receptacle.....96 | |
| Locking Type Receptacles / Accessories.....97 | |
| Customizable Utility Solutions.....98 | |

| | | | | | |
|----------------|--------------------|--------------|-------------------------|------------------|----------------------|
| Symbols | 143T302A |52 | AG2401C3 |128,129 | D |
| | 146--00045 |73 | AG2403C3 |128,129 | DDFM |
| 2T308A |36-37,53 |73 | AG3000 |136 |109 |
| 2T511GA |36-37,53 |73 | AG4803C3 |128,129 | DDT40 |
| 2T2040GA |36-37,53 |73 | AG6503C3 |128,129 |109 |
| 2T2331GA |36,53 |73 | AG6503L3 |128,129 | BIT25 |
| 2T2365GA |36-37,53 |73 | AG48013 |128,129 |117 |
| 2T2483GR |184 |73 | AG Series |129 | DT200LT |
| 2T2485GA |37,53,184,188 |73 | ALC1-P |14 |79,182 |
| 2T2500GA |36-37,53 |73 | ALC1-R |14,18 | DT200LT Series |
| 2T2502GA |37,53,184 |73 | ALC2-R |14 |79,182 |
| 2T2503A |184 |73 | ALC4-R |14 | DT620 |
| 2T2926A |36-37,53 |73 | ALC-CMP-BT |16,18 |77,79 |
| 6LV135297 |97 |73 | ALC-CMP-DT-BT |16 | DT620 Series |
| 21T156A |185 |73 | ALC-DH-BT |17,18 |77 |
| 21T166A |185 |73 | ALC-DT-BT-WH |15 | DTAV40 Series |
| 22LG116 |97 |73 | ALC-IWD |17,18 |108,109,111,117 |
| 22LG0120 |97 |73 | ALC-PI-BT-WH |15 | DTAV40E2 |
| 22T338GR52 |190 |73 | ALC-WM-BT |15,18 |110 |
| 22T904A |185 |73 | ALC-WM-DT-BT |15 | DTAV40M |
| 24--00041 |73 |73 | ARISTA* |12-16,18,19 |108 |
| 24--00042 |73 |73 | ARISTA* Nightscape |19 | DTAV40Q |
| 24--00046 |73 |73 | ASCEND* Series |62 |108 |
| 24--00109 |73 |73 | ASCEND* Standard Series |63 | DT-B |
| 24EG5133 |132 |73 | AT1-5 |113,116 |108,111 |
| 101--00040 |36 |73 | AT1-5AS5E-GI |113 | DU5S-1 |
| 107HB254 |185 |73 | AT1-5AS5U-BG |116 |117 |
| 107HB255 |185 |73 | AT1-5AS5U-BGI |113 | |
| 107SB189 |73 |73 | AT1-5BS2E-BGI |113 | E |
| 107SB192 |73 |73 | AT1-5BS4E-AG |116 | E200 |
| 107T73 |52 |73 | AT1-5BS6E-ALI |113 |189,191 |
| 107T119 |52 |73 | AT1-5BS6E-BG |116 | E1000 Series |
| 107TN221 |52 |73 | AT1-5BS6E-BGI |113 |66 |
| 107TN222 |52 |73 | AT1-5BS6U-BGI |113 | E1010 |
| 119--00085 |185 |73 | AT2-5 |113,116 |66 |
| 119T86A |52 |73 | AT2-5BS4E-AG |116 | EH10 |
| 119T267 |185 |73 | AT2-5BS4E-ALI |113 |59 |
| 119T340 |185 |73 | AT2-5BS4E-GI |113 | EH40 |
| 124--00066 |185 |73 | AT2-5BS4U-BGI |113 |59 |
| 124--00139A |185 |73 | | | EH Series |
| 124--00140A |185 |73 | | |59 |
| 124ET2574 |36 |73 | B | | EI200 |
| 124ET2581 |36 |73 | BD1-28 |115,116 |69 |
| 124ET2582 |36 |73 | BD1-28C1S5W-BI |115 | EI200LA |
| 124T905 |52 |52 | BEZ-55BLACKU |104 |69 |
| 124T907A |52 |52 | BEZ-55GRAYU |104 | EI200 Series |
| 124T1948 |52 |52 | BEZ-72PU |104 |69 |
| 124T1952 |52,185 |52 | BIT25 |114 | EI200W |
| 124T1953 |52 |52 | BIT25-B1S3E-BI |114 |69 |
| 124T1954 |52 |52 | BIT25-B1S3U-BI |114 | EI205LA |
| 124T2058 |52 |52 | BIT25-B1S3W-BI |114 |69 |
| 124T2097 |52 |52 | BR1-28 |115,116 | EI205W |
| 124T2411A |52,185 |52 | BR1-28B0Q3W-AI |115 |69 |
| 130T1042 |52 |52 | BR1-28C1Q5WH-B |115 | EI210 |
| 131T68GA |52 |52 | BR1-28C1Q5WH-BI |115 |69 |
| 133RC1144 |185 |52 | BR1-28C1S4WH-BI |115 | EI210W |
| 133T698A |52 |185 | | |69 |
| 133T700A |52 |36,109 | C | | EI215W |
| 133T701A |52 |174,185 | CD1-024R |138 |69 |
| 133T773A |52 |185 | CD5 |112 | EI220W |
| 133T1115A |52 |185 | CD5-01WHRW-I |112 |69 |
| 143RC140 |185 |129 | COMBOConnect* |167 | EI230W |
| 143RC151 |185 | | Contractor Box |28 |69 |
| 143T135 |185 | | CT2000 |56 | EI235W |
| 143T136 |185 | | | |68 |
| 143T138 |52 | | | | EI400C |
| 143T145A |185 | | | |68 |
| | | | | | EI400LAC |
| | | | | |68 |
| | | | | | EI400 Series |
| | | | | |68 |
| | | | | | EI400WC |
| | | | | |68 |
| | | | | | EI500 |
| | | | | |72 |
| | | | | | EI500C |
| | | | | |65 |
| | | | | | EI500LAC |
| | | | | |65 |
| | | | | | EI500 Series |
| | | | | |65 |
| | | | | | EI500WC |
| | | | | |65 |
| | | | | | EI600 |
| | | | | |72 |
| | | | | | EI600C |
| | | | | |64 |
| | | | | | EI600LAC |
| | | | | |64 |
| | | | | | EI600 Series |
| | | | | |64 |
| | | | | | EI600WC |
| | | | | |64 |
| | | | | | EJ600 |
| | | | | |65,72 |
| | | | | | EJ600A |
| | | | | |65 |
| | | | | | EJ600 Series |
| | | | | |65 |
| | | | | | EK4000 Series |
| | | | | |93 |
| | | | | | EK4027S |
| | | | | |93 |
| | | | | | EK4035S |
| | | | | |93 |
| | | | | | EK4036S |
| | | | | |93,94 |
| | | | | | EK4127S |
| | | | | |93 |
| | | | | | EK4135S |
| | | | | |93 |
| | | | | | EK4136S |
| | | | | |93,94 |
| | | | | | EK4227S |
| | | | | |93 |
| | | | | | EK4235S |
| | | | | |93 |
| | | | | | EK4236S |
| | | | | |93,94 |
| | | | | | EK4336S |
| | | | | |93,94 |
| | | | | | EK4436SM |
| | | | | |93,94 |

| | | | | | | | |
|----------------|--------|--------------|----|---------------|----------|-----------------|----------|
| EK4536 | 92, 95 | ET90115CR | 22 | FF12HHC | 71 | GM40AV Series | 50 |
| EK4537 | 92, 95 | ET90115CRE | 22 | FF15MC | 71 | GM40AV-W | 50 |
| EK4736S | 93, 94 | ET90215C | 22 | FF15MH | 71 | GMXFM1D20-I-24 | 35 |
| ELC4536 | 92, 95 | ET90215CE | 22 | FF15MP | 73 | GMXFM1D20-I-120 | 35 |
| ET-2T2926A | 36 | ET90215CR | 22 | FF30MC | 71 | GMXFM Series | 35 |
| ET1100 | 27 | ET90215CRE | 22 | FF30MH | 71 | GMXQT-O-120 | 51 |
| ET1100 Series | 26 | ET90415CR | 22 | FF30MP | 73 | GMX Series | 51 |
| ET1105C | 26 | ET90815CR | 22 | FF32H | 71 | GMXST-I-120 | 51 |
| ET1105CPD82 | 26 | ET91215CR | 22 | FF32HH | 71 | GMXST-I-240 | 51 |
| ET1115C | 26 | ET91615CR | 22 | FF34H | 71 | GMXST-O-120 | 51 |
| ET1115CPD82 | 26 | ETCB28253PCR | 28 | FF34HH | 71 | GMXSW-I-120 | 51 |
| ET1125C | 26 | ET-NF | 36 | FF36H | 71 | GZ40 | 103, 105 |
| ET1125CPD82 | 26 | | | FF46H | 71 | GZ40AU | 103, 105 |
| ET1700 | 27 | F | | FF60MC | 71 | H | |
| ET1700 Series | 26 | FD | 72 | FF60MHC | 71 | H10S13D1DG1 | 126 |
| ET1705C | 26 | FD2H | 70 | FF60MP | 73 | H10S13D1DG2 | 126 |
| ET1725C | 26 | FD2HW | 70 | FF312H | 71 | H10S13Y1DG1 | 126 |
| ET2000 Series | 24 | FD4H | 70 | FF312HH | 71 | H10S13Y1DG2 | 126 |
| ET2105C | 24 | FD4HW | 70 | FF315M | 71 | H10S13Y2DG1 | 126 |
| ET2105CP | 24 | FD5M | 70 | FF330M | 71 | H10S13Y2DG2 | 126 |
| ET2105CR | 24 | FD5MW | 70 | FF360M | 71 | H10S13Y2DG1 | 126 |
| ET2115C | 24 | FD6H | 70 | FF412H | 71 | H10S13Y2DG2 | 126 |
| ET2115CP | 24 | FD6HH | 70 | FF415M | 71 | H10S13Y2DG2 | 126 |
| ET2115CR | 24 | FD6HHW | 70 | FF430M | 71 | H10S13Y3DG1 | 126 |
| ET2125C | 24 | FD6HW | 70 | FF460M | 71 | H10S13Y3DG2 | 126 |
| ET2125CP | 24 | FD12HC | 70 | FF Series | 71 | H10S21S1DG1 | 126 |
| ET2125CR | 24 | FD12HH | 70 | FM1D14-24U | 30 | H10S21S1DG2 | 126 |
| ET2145C | 24 | FD12HHW | 70 | FM1D14A-24 | 30 | H10S23D1DG1 | 126 |
| ET2145CP | 24 | FD12HWC | 70 | FM1D14A-AV | 30 | H10S23D1DG2 | 126 |
| ET2145CR | 24 | FD15MAC | 70 | FM1D14-AV-U | 30 | H10S23Y1DG1 | 126 |
| ET2705C | 24 | FD15MC | 70 | FM1D20 | 31 | H10S23Y1DG2 | 126 |
| ET2705CP | 24 | FD15MHW | 70 | FM1D20-24U | 31 | H10S23Y2DG1 | 126 |
| ET2705CR | 24 | FD15MP | 73 | FM1D20-120U | 31 | H10S23Y2DG2 | 126 |
| ET2715C | 24 | FD15MPW | 73 | FM1D20A | 31 | H20S13D1DG1 | 127 |
| ET2715CP | 24 | FD15MWC | 70 | FM1D20A-24 | 31 | H20S13D1DG2 | 127 |
| ET2715CR | 24 | FD30MAC | 70 | FM1D20A-120 | 31 | H20S13Y1DG1 | 127 |
| ET2725C | 24 | FD30MC | 70 | FM1D20A-240 | 31 | H20S13Y1DG2 | 127 |
| ET2725CP | 24 | FD30MH | 70 | FM1D20E | 31 | H20S13Y2DG1 | 127 |
| ET2725CR | 24 | FD30MHW | 70 | FM1D20E-24 | 31 | H20S13Y2DG2 | 127 |
| ET2745C | 24 | FD30MP | 73 | FM1D20E-120 | 31 | H20S13Y2DG2 | 127 |
| ET2745CP | 24 | FD30MPW | 73 | FM1D50A-24 | 32 | H20S13Y2DG2 | 127 |
| ET2745CR | 24 | FD30MWC | 70 | FM1D50A-120 | 32 | H20S13Y3DG1 | 127 |
| ET2805C | 24 | FD32H | 70 | FM1D50 Series | 32 | H20S13Y3DG2 | 127 |
| ET2805CP | 24 | FD32HW | 70 | FM1QTUZ-24U | 47 | H20S21S1DG1 | 127 |
| ET2805CR | 24 | FD34H | 70 | FM1 Series | 47 | H20S21S1DG2 | 127 |
| ET2815C | 24 | FD46HW | 70 | FM1STUZ-24U | 47 | H20S23D1DG1 | 127 |
| ET2815CP | 24 | FD60MAC | 70 | FM1STUZ-120U | 47 | H20S23D1DG2 | 127 |
| ET2815CR | 24 | FD60MC | 70 | FM1STUZ-240U | 47 | H20S23Y1DG1 | 127 |
| ET2825C | 24 | FD60MH | 70 | FM1STUZH-24U | 47 | H20S23Y1DG2 | 127 |
| ET2825CP | 24 | FD60MHW | 70 | FM1STUZH-120U | 47 | H20S23Y2DG1 | 127 |
| ET2825CR | 24 | FD60MP | 73 | FM1STUZH-240U | 47 | H20S23Y2DG2 | 127 |
| ET2845C | 24 | FD60MPW | 73 | FM1SWUZ-120U | 47 | HB110 Series | 76 |
| ET2845CP | 24 | FD60MWC | 70 | FM2D50-24 | 33 | HB112 | 76 |
| ET2845CR | 24 | FD415M | 70 | FM2D50-120 | 33 | HB113 | 76 |
| ET8000 | 27 | FD430M | 70 | FM2D50-240 | 33 | HB114 | 76 |
| ET8000 Series | 26 | FD430MW | 70 | FWZ55 | 102, 105 | HB880R | 79 |
| ET8015C | 26 | FD460MW | 70 | FWZ72 | 102, 105 | | |
| ET8215C | 26 | FD Series | 70 | FWZ72B | 102 | I | |
| ET8415CR | 26, 27 | FF | 72 | | | ICUBE | 108, 109 |
| ET9100 | 36 | FF2H | 71 | G | | IG20B123 | 132 |
| ET9232 | 36 | FF4H | 71 | G-72U | 102 | IG120RSM10K | 130 |
| ET9250 | 36 | FF5M | 71 | GM40AV | 50 | IG120RSM20 | 130 |
| ET90000 | 23 | FF5MH | 71 | GM40AVE | 34 | IG1200RC3 | 129 |
| ET90000 Series | 22 | FF6H | 71 | GM40AVE-RD89 | 34 | IG1240FMP33 | 129 |
| ET90115C | 22 | FF6HH | 71 | GM40AV-Q | 50 | IG1240RC3 | 129 |
| ET90115CE | 22 | FF12HC | 71 | GM40AV-QW | 50 | | |

| | | | | | | | |
|----------------------|----------|---------------------|--------|------------------------------|------------------|------------------------------------|--------------|
| IG1300-2T-1C3 | 133 | K4141C | 95 | LC4535LA | 94 | PB373E | 183-184 |
| IG1300-4T-2C3 | 133 | K4200 Series | 95 | LC4536C | 94 | PB374E | 184 |
| IG1300 Series | 133 | K4221C | 95 | LC4536LAC | 94 | PB873MKZ | 179, 183 |
| IG2012B153 | 132 | K4223C | 95 | LCD-5S-1I | 117 | PB913N | 179, 183 |
| IG2200-FMK | 130 | K4236C | 95 | LED4536SC | 92, 95 | PB913N66 | 179, 183 |
| IG2200 Series | 130 | K4251 | 95 | LED4537SC | 92, 95 | PB913N84 | 179, 183 |
| IG2240-IMSK | 130-131 | K4253 | 95 | LGLBL | 97 | PB914N | 179, 183 |
| IG2240-PK | 130-131 | K4321C | 96 | | | PB914N66 | 179, 183 |
| IG2280-IM | 131 | K4400 Series | 95 | M | | PB914N84 | 179, 183 |
| IG2280-OM | 130-131 | K4421M | 95 | MB-48V | 104 | PB Series | 183 |
| | | K4423M | 95 | MIL72AQWUZH-120 | 49 | PE24GVA | 175 |
| IG2280-P | 130 | KM2 | 72 | MIL72ASWUZH-120 | 49 | PE24VA | 171, 175 |
| IG3240FMP33 | 129 | KM2 Series | 67 | MIL72EQTUZH-24 | 48 | PE103 | 168 |
| IG3240RC3 | 129 | KM2ST-1G | 67 | MIL72EQTUZH-120 | 48 | PE140 | 175 |
| IG112463 | 132 | KM2ST-2D | 67 | MIL72EQWUZH-120 | 49 | PE153 | 169 |
| IG112663 | 132 | KM2ST-2G | 67 | MIL72ESTUZH-120 | 48 | PE153F | 169 |
| IG112663BLK10 | 132 | KM2ST-3G | 67 | MIL72ESTUZH-240 | 48 | PE153P | 169 |
| IG206153 | 132 | KM2STU-1G | 67, 72 | MIL72ESTUZH-120 | 48 | PE153PF | 169 |
| IG Series | 129, 132 | KMS2T-IG | 67 | MIL72ESWUZH-120 | 49 | PE653 | 174 |
| IOS-CMP-DT-LV | 83 | KPT0170-010 | 96 | MIL72ESWUZH-240 | 49 | PE653RC | 172 |
| IOS-CMP-DT-U | 84 | KPT0170-015 | 96 | MIL72 Series | 48, 49 | PE953 | 174, 185 |
| IOS-CMP-LV | 83 | KPT1170-010 | 96 | MS-101W | 36 | PE20000 | 170 |
| IOS-CMP-U | 84 | | | | | PE20000 Series | 170 |
| IOS-DDR Series | 86 | L | | N | | PE25065RC | 172 |
| IOS-DDR-WH | 86 | L5F13D1DG1 | 124 | NightFox Pro Series | 99 | PE25300 | 170 |
| IOS-DOV | 86 | L5F13D1DG2 | 124 | NightFox™ Pro Series | 99 | PE25300F | 170 |
| IOS-DOV-DT-WH | 85 | L5F13Y1DG1 | 124 | Nightscape | 19 | PE30000 | 170 |
| IOS-DOV-IV | 86 | L5F13Y1DG2 | 124 | | | PE30000 Series | 170 |
| IOS-DOV-NL | 86 | L5F13Y2DG1 | 124 | O | | PE30000T3 | 170 |
| IOS-DOV-NL-IV | 86 | L5F13Y2DG2 | 124 | OK4500R | 97 | PE30065RC | 173 |
| IOS-DOV-NL-WH | 86 | L5F13Y3DG1 | 124 | OK4500RJ | 97 | PE30065RCT3 | 173 |
| IOS-DOV Series | 86 | L5F13Y3DG2 | 124 | | | PE35065RC | 173 |
| IOS-DOV-WH | 86 | L5F21S1DG1 | 124 | P | | PE35300 | 170 |
| IOS-DPBIF-WH | 87 | L5F21S1DG2 | 124 | P153 Series | 169 | PF1000M | 158-159, 160 |
| IOS-DPBIMF-WH | 87 | L5F23Y1DG1 | 124 | P1100 Series | 78, 182 | PF1100 | 176 |
| IOS-DPB Series | 87 | L5F23Y1DG2 | 124 | P1101 | 78, 182 | PF1100 Mechanical Series | 176 |
| IOS-DPBV-WH | 87 | L5F23Y2DG1 | 124 | P1121 | 78, 182 | PF1102 | 176 |
| IOS-DSIF-IV | 87 | L5F23Y2DG2 | 124 | P1131 | 78, 182 | PF1102M | 176 |
| IOS-DSIF-WH | 87 | L10F11S1DG1 | 125 | P1200 Series | 184 | PF1112T | 176 |
| IOS-DSIMF | 87 | L10F11S1DG2 | 125 | P1251P | 184 | PF1200 Series | 176 |
| IOS-DSIMF-IV | 87 | L10F13N4DG1 | 125 | P1261P | 184 | PF1202T | 176 |
| IOS-DSIMF-WH | 87 | L10F13N4DG2 | 125 | P1353ME | 158-161, 169-170 | PF1222TB1 | 176 |
| IOS-DSIMF-WH | 87 | L10F13Y1DG1 | 125 | P1403ME | 158-161, 168 | PJB2175 | 167 |
| IOS-DSI Series | 87 | L10F13Y1DG2 | 125 | P4043ME | 158-161, 175 | PJB4175 | 167 |
| IOS-DSR-IV | 85 | L10F13Y2DG1 | 125 | P4243ME | 158-161 | PJB Series | 167 |
| IOS-DSR Series | 85 | L10F13Y2DG2 | 125 | P7103ME | 183, 184 | PJBX52100 | 167 |
| IOS-DSR-WH | 85 | L10F13Y3DG1 | 125 | P40000R5 | 165 | Pro Series Lighting Contactors .. | 99 |
| IOS-HB-U | 84 | L10F13Y3DG2 | 125 | P40000RT1 | 165 | Pro Series Lighting Contractors .. | 99 |
| IOS-PP24 | 83 | L10F23D1DG1 | 125 | P40000RT3 | 165 | PS3000 | 162, 180-181 |
| | | L10F23D1DG2 | 125 | PA102 | 185 | PX50 | 166 |
| | | L10F23N4DG1 | 125 | PA114 | 167, 185 | PX50S | 166 |
| K | | L10F23N4DG2 | 125 | PA115 | 185 | PX100 | 166 |
| K42-SW-A | 97 | L10F23Y1DG1 | 125 | PA117 | 185 | PX100S | 166 |
| K43-WP-KIT | 97 | L10F23Y1DG2 | 125 | PA119 | 185 | PX300 | 166 |
| K121 | 97 | L10F23Y2DG1 | 125 | PA122 | 174, 185 | PX300S | 166 |
| K121-30 | 97 | LC2000 Series | 94 | PANELGUARD® H10 Series | 126 | PX600 | 166 |
| K121-GSKT | 97 | LC2100 | 94 | PANELGUARD® H20 Series | 127 | PX600S | 166 |
| K121/K121-30 | 97 | LC4500 Series | 94 | PANELGUARD® L5 Series | 124 | PX Series | 166 |
| K122 | 97 | LC4521C | 94 | PANELGUARD® L10 Series | 125 | | |
| K171H | 97 | LC4521LA | 94 | PB300 Series | 184 | R8806M101C | 57 |
| K4000 Series | 96 | LC4523 | 94 | PB313E | 183-184 | R8806P101C | 57 |
| K4021C | 96 | LC4523LA | 94 | PB313EK | 184 | R8815P101C | 57 |
| K4023C | 96 | LC4527 | 94 | PB314E | 184 | R8816P101C | 57 |
| K4100 | 95 | LC4535 | 94 | PB314EK | 184 | RC4G | 178-179 |
| K4121C | 95 | | | | | | |
| K4123C | 95 | | | | | | |

| | | | | | | | |
|--------------------|---------------|----------------------|---------|----------------------|-----------|------------------|-----------|
| RC6F | 179 | T104PCD82 | 40 | T10004RT1 | 163 | WP107 | 152 |
| RC117 | 178-179 | T104R | 40 | T10004RT3 | 163 | WP213 | 152 |
| RC127B..... | 178-179 | T104R3 | 157 | T10006R | 158 | WP217 | 152 |
| RC150 | 179 | T104R201 | 157 | T10101R | 158 | WP1000C | 149, 185 |
| RC510 | 178-179 | T105 | 40 | T10404R | 158 | WP1000GC | 149 |
| RC600Series..... | 180 | T106M | 40, 156 | T10604R | 158 | WP1000HC | 149 |
| RC613..... | 177,180 | T106P3 | 157 | T12404R | 158 | WP1000HGC | 149 |
| RC613L..... | 180 | T106R | 40 | T20000R | 159 | WP1010C | 149 |
| RC613R..... | 177,180 | T170 | 41 | T21000R | 159 | WP1010HC | 149 |
| RC939 | 177, 180 | T170 Series | 41 | T21000R Series | 159 | WP1010HMXD | 144 - 145 |
| RC2000M | 158-160 | T171 | 41 | T21001R | 159 | WP1010MXD | 144 |
| RC2000 Series..... | 178 | T171CR | 41 | T21004R | 159 | WP1020C | 150 |
| RC2163BFE | 171 | T172 | 41 | T30000R5 | 160 | WP1030C | 150 |
| RC2343PT | 178 | T173 | 41 | T30000R Series | 160 | WP1030MXD | 144 |
| RC Series | 179 | T173CR | 41 | T30004R | 160 | WP1050 | 150 |
| | | T173R | 41 | T30401R | 160 | WP1100C | 148 |
| S | | T174 | 41 | T30404R | 160 | WP1100WC | 148 |
| SK4500K | 97 | T174CR | 41 | T30604R | 160 | WP1110C | 148 |
| SK4500KJ | 97 | T174R | 41 | T32404R | 160 | WP1150C | 149 |
| SN4B20P1 | 117 | T175 | 41 | T40000R4 | 161 | WP1220C | 151 |
| SN4B20P2-B | 117 | T176 | 41 | T40000R Series | 161 | WP1230C | 151 |
| SN4B20P3-Y | 117 | T1205R | 40 | T40000RT3 | 163 | WP1250 | 151 |
| SN4B30P1 | 117 | T1400 | 41 | T40003RT3 | 163 | WP1250C | 151 |
| SN4B30P2-B | 117 | T1471BCR | 41 | T40004R | 161 | WP1250MVXD | 144 |
| SN4B30P3-Y | 117 | T1471BR | 41 | T40004RT1 | 163 | WP1250MXD | 144 |
| SN4B50P1 | 117 | T1472BR | 41 | T40004RT3 | 163 | WP3100 | 148 |
| SN4B50P2-B | 117 | T1475BR | 41 | T40404R | 161 | WP3100C | 148 |
| SN4B50P3-Y | 117 | T1800 Series | 41 | T40604RT3 | 163 | WP3103C | 148 |
| ST01..... | 64,72 | T1871BR | 41 | THE 121 161 | 46 | WP3110MXD | 144 |
| ST01A | 64 | T1900 Series | 42 | TN111RM40 | 78 | WP5000BL | 146 |
| ST01 Series | 64 | T1905 | 42 | TN311 | 77 | WP5000C | 146 |
| ST700 | 72 | T1905E | 42 | TN311 Series | 77 | WP5000G | 146 |
| ST700W | 63 | T1905HD | 43 | | | WP5000W | 146 |
| STW700LA | 62 | T1905HDM | 43 | U | | WP5100BL | 146 |
| STW700W..... | 62,72 | T1905HDR | 43 | UWZ48 | 103, 105 | WP5100BR | 146 |
| | | T1905P | 42 | UWZ48E | 104 - 105 | WP5100C | 146, 185 |
| T | | T1906 | 42 | UWZ48E-24U | 104 | WP5100G | 146 |
| T100M | 158-160 | T1970 Series | 42 | UWZ48V | 104 - 105 | WP5100W | 146 |
| T100 Series..... | 40-41,156,157 | T1975 | 42 | | | WP5103C | 146 |
| T101 | 40 | T1975E | 42 | W | | WP5110C | 146 |
| T101B | 40 | T1975EHD | 43 | WG190-15D | 52 | WP5220B | 146 |
| T101M | 40,156 | T1975EHDR | 43 | WG430-20D | 52 | WP5220BL | 146 |
| T101P | 40 | T1975ER | 42 | WG433-20D | 52 | WP5220C | 146 |
| T101P3 | 157 | T1975HD | 43 | WG436-20 | 52 | WP5220G | 146 |
| T101P201 | 157 | T1975HDR | 43 | WG630-20 | 52 | WP5220W | 146 |
| T101PCD82 | 40 | T1975R | 42 | WG720-10D | 52 | WP5221C | 146 |
| T101R | 40 | T1976 | 42 | WG730-14D | 52 | WP5225C | 146 |
| T101R3 | 157 | T1976R | 42 | WG733-14D | 52 | WP5225G | 146 |
| T101R201..... | 157 | T2000 Series | 45 | WG736-14 | 52 | WP5240C | 146 |
| T102 | 40 | T2005 | 45 | WG1570-10 | 52, 185 | WP5500C | 146 |
| T102P | 40 | T2006 | 45 | WG1570-10D | 52 | WP6000BR | 143 |
| T102R | 40 | T7000B Series | 45 | WG1571-10 | 52 | WP6000G | 143 |
| T103 | 40 | T7401B | 44 | WG1571-10D | 52 | WP6000W | 143 |
| T103M..... | 40,156 | T7401BC | 44 | WG1571-10D | 52 | WP6200G | 143 |
| T103P | 40 | T7402B | 44 | WG1573-10D | 52, 185 | WP7000BR | 143 |
| T103PCD82..... | 40 | T7402BC | 44 | WG1574-10 | 52 | WP7000G | 143 |
| T103R | 40 | T7801B | 44 | WG1574-10D | 52 | WP7000W | 143 |
| T104 | 40 | T7801BC | 44 | WG1576-10D | 52 | WP7003G | 143 |
| T104-20 | 59 | T7802B | 44 | WG1600-11 | 52 | WP7200BR | 143 |
| T104-50 | 40 | T8805M101C | 57 | WG1603-11D | 52 | WP7200G | 143 |
| T104M | 156 | T8805P101C | 57 | WH40 | 59 | WP7200W | 143 |
| T104M201..... | 156 | T8845PV | 57 | WHA VQ4 | 58 | | |
| T104P | 40 | T10000R | 158 | WHA VQ Series | 58 | | |
| T104P3 | 157 | T10000R Series | 158 | WP17 | 152 | | |
| T104P201 | 157 | T10004R | 158 | WP101 | 152 | | |
| | | | | WP102 | 152 | | |

Advanced Lighting Control Solutions

Take the hassle out of commercial lighting projects with the ARISTA™ Advanced Lighting Control System. Our contractor-focused solution makes it easy for installers of all technology backgrounds to integrate wireless, code-compliant lighting control in a wide range of indoor applications.



Flexible Control

Set lighting schedules, monitor daylight levels and reduce energy waste while still allowing for manual control in a wide range of indoor environments. Suggested applications include classrooms, retail stores, offices, restaurants, schools and more.

Customizable Components

A suite of modular components, including sensors, controllers and manual overrides, makes it easy to install and configure ARISTA to meet diverse project needs. Users can add or remove devices at any time without resetting the system and starting from scratch.



Simple Wireless Connectivity

ARISTA simplifies installations with a contractor-friendly communication protocol known as Bluetooth® 5.0 mesh wireless technology. The secure wireless technology allows contractors to complete setup without connecting to a local area network or hub.

Code Compliant Design

Out of the box, ARISTA meets or exceeds ASHRAE 90.1-2016, IECC 2018 and Title 24-2019. The system's modular components allow design engineers and design-build contractors to select the functionality needed within a project, then hand off specific installation specifications to contractors and commissioners.





Contents

| | |
|--|----|
| ARISTA® Introduction..... | 12 |
| ARISTA® Controllers | 14 |
| ARISTA® Wall-Mount & In-Wall Sensors..... | 15 |
| ARISTA® Ceiling Mount Sensors | 16 |
| ARISTA® Daylight Harvester & In-Wall Dimmer..... | 17 |
| ARISTA® System Solution | 18 |
| NightScape Introduction..... | 19 |



Additional Solutions and Resources

Ready to get started? Scan the QR code to the right for a variety of helpful resources, including sell sheets, product instructions, installation videos and more.



Simple, Connected, Contractor-Friendly

Introducing ARISTA, a customizable smart lighting control solution for commercial and municipal buildings. The simple wireless system empowers installers of all technology backgrounds to integrate impressive, code-compliant lighting control in a wide range of applications.

ARISTA Code Compliance (Meets or Exceeds):

- ASHRAE 90.1-2016
- IECC 2018
- Title 24-2019



Simple, Adaptable Components

A suite of modular components makes it easy to install and configure ARISTA in a wide range of commercial applications. Bluetooth wireless communication and optional battery-powered sensors help speed up installations by reducing wiring needs.

Easy Smartphone Setup

Use the ARISTA app to breeze through installation and manage settings once setup is complete. Permission new users to share access and control based on occupant, facility manager or inspector needs. (Available for Apple iOS and Android devices.)



Built-in "wink" feature helps installers identify components on the fly

Commission with Ease

Quickly identify components and adjust system settings in real-time using the ARISTA app. Contractors may also view multiple sites/projects from a single smartphone to streamline work.

Room Controller

The "brain" of the ARISTA system, the Room Controller connects to the primary load, has wired or wireless inputs, drives schedules using a real-time clock, has adjustable light level settings, all accessible through the smart phone app via Bluetooth mesh technology.



In-Wall Dimmer with Manual Override

In-wall controls give occupants manual control of select features, including ON/OFF, raise/lower light levels (dimming), and adjustable auto-off countdown capabilities. These units are in-field upgradeable - as new features are released, users can easily upgrade the firmware of their existing control to take advantage of the new functionality.



Presence Sensors

Convenient and energy efficient, Presence Sensors reduce Energy Costs by ensuring lights are only on during occupancy. Presence sensors allow for either Automatic or Manual ON operation, and feature an Automatic OFF operation.

In-Wall Sensors

Wall-Mount Sensors

Ceiling Sensors



Daylight Harvester

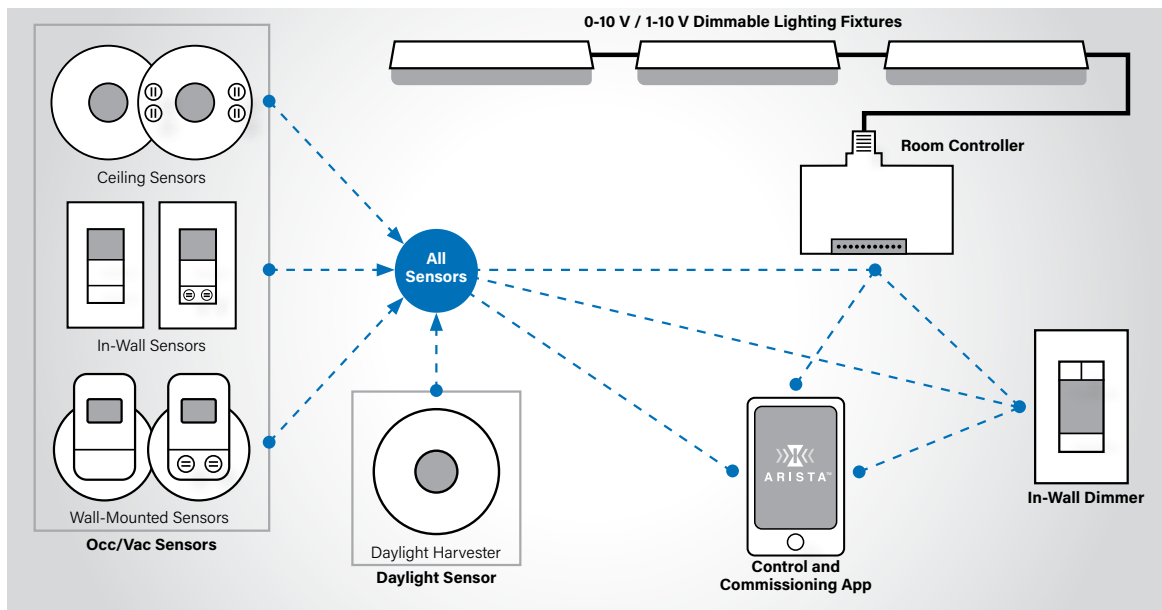
Our Daylight Harvesting Sensors help building managers make the most of natural light while promoting occupant comfort and energy efficiency.



Safe and Secure Networking

ARISTA uses a secure Bluetooth® mesh protocol that allows components to communicate without the need for a traditional local area network. Every device transmission is protected by three 128-bit encrypted security keys. Each Bluetooth enabled component is its own wireless node for sending, receiving and sharing control commands through a wireless mesh network. Expandability is easy with each device passing information to the next thus expanding the reach and control throughout the network.

System Diagram - Bluetooth 5.0 Mesh Network



Advanced Lighting Controls

ARISTA Controllers



ALC1-R

1 Channel 0-10V Lighting/Plug Load Controller

ALC1-R LIGHTING CONTROLLER

The ALC1-R lighting controller is a single-channel 0-10 V dimming controller designed to work with ARISTA Lighting Control System by Intermatic. These units can work with either 0-10 V or 1-10 V lighting fixtures, including LED's, or plug load control. Once installed, the ALC1-R unit(s) can be configured to work off of either scheduling, sensing, or a combination of both, providing maximum energy efficiency as well as occupant comfort. These units can be configured for either wireless or wired communications, and utilize Bluetooth Mesh technologies for wireless communications. Secure Bluetooth® 5.0 mesh technology allows installers to quickly connect this device and configure settings via the ARISTA app without connecting to a Wi-Fi network.

APPLICATIONS

- Dimming • Indoor Lighting Control • Timing/Scheduling ON/OFF

FEATURES

- Wired or wireless communications
- Provides 24VDC for wired devices
- Utilizes a secure bluetooth mesh for connectivity
- Built-in real time clock for keeping timing accuracy
- Allows for 1 wired analog Input
- Allows for 2 wired digital inputs
- Works with 0-10 V or 1-10 V luminaries
- 365-Day scheduling including holidays
- Programmable blink warning alert
- Programmable light levels



| RATINGS | |
|-----------------------------|----------------------------|
| Input Voltage | 120-277 VAC, 50/60 Hz |
| Electronic Ballast (LED) | 10 A |
| Ballast (Fluorescent) | 10 A, 120-277 VAC |
| Resistive | 120-277 VAC, 50/60Hz, 20 A |
| General Use | 120-277 VAC, 50/60Hz, 20 A |
| Tungsten | 277 VAC, 12.5 A |
| Class 1 | 0 - 10 VDC 50 mA |
| Class 2 | 24 VDC 145 mA |
| Switch Type | SPST |
| Neutral Connection Required | Yes |
| Wiring Options Low Voltage | Pigtails, Terminals |
| Warranty | 5-Year limited |
| Operating Temperature | 32°F - 131° F (0°C - 55°C) |

| Model # | Description | Mount Type |
|---------|---|----------------|
| ALC1-R | 1 Channel 0-10 V Lighting/ Plug Load Controller | Electrical Box |

WIRING DIAGRAMS



Scan to learn more about the ALC1-R wiring information.

ADDITIONAL CONTROLLERS

Intermatic's ARISTA product line is constantly expanding. Please contact an Intermatic sales representative or visit Intermatic.com for more information and availability.



| Model # | Description | Mount Type |
|---------|--|----------------|
| ALC2-R* | 2 Channel 0-10 V Lighting/Plug Load Controller | Surface Mount |
| ALC4-R* | 4-Channel 0-10 V Lighting/Plug Load Controller | Surface Mount |
| ALC1-P* | 1-Channel Phase Dimmer | Electrical Box |

*Contact an Intermatic sales representative or visit Intermatic.com for more information and availability

WALL MOUNT OCC/VAC SENSORS

ALC-WM-DT-BT & ALC-WM-BT

The wall mount Occupancy Vacancy Sensors designed for use with the ARISTA Lighting Controls System by Intermatic and will control lighting based upon occupancy/vacancy. If space is configured for occupancy and movement is detected, the sensor informs the ARISTA controller(s) in the space and the lights will illuminate. The light will turn OFF after the sensors deem the room vacant and the timeout period expires. If space is configured for vacancy, the ARISTA controller(s) in the space will only react when they are manually activated. The lights will turn off after the sensor deems the space vacant and the timeout period expires. Secure Bluetooth® 5.0 mesh technology allows installers to quickly connect this device and configure settings via the ARISTA app without connecting to a Wi-Fi network.

APPLICATIONS

- Indoor Lighting Control • Indoor Sensing Control

FEATURES

- Wired or wireless communications
- Toolless battery replacement
- Multiple mounting options
- Adjustable sensitivity settings
- Independent settings for Ultrasonic and PIR sensor technologies
- Adjustable time-out settings

| Model # | Description | Coverage Range (ft²) |
|--------------|-------------------------------------|--------------------------|
| ALC-WM-DT-BT | Dual Tech Wall Mount OCC/VAC Sensor | PIR 1200 ft², US 1000ft² |
| ALC-WM-BT | PIR Wall Mount OCC/VAC Sensor | 1200 ft² |



ALC-WM-DT-BT



| RATINGS | |
|----------------------------|---------------------------|
| Input Voltage | 24 VDC |
| Wiring Options Low Voltage | Terminals |
| PIR Coverage Area (sq ft) | 1200 |
| Data Transfer Options | Bluetooth, Wired |
| Warranty | 5-Year limited |
| Operating Temperature | 32°F - 131°F (0°C - 55°C) |

IN-WALL OCC/VAC SENSORS

ALC-DT-BT-WH & ALC-PI-BT-WH

The In-Wall Occupancy Vacancy Sensors designed for use with the ARISTA Lighting Controls System by Intermatic and will control lighting based upon occupancy/vacancy. If the space is configured for Occupancy and movement is detected, the sensor informs the ARISTA controller(s) in the space and the lights will illuminate. The lights will turn off after the ARISTA controller(s) deem the space vacant and the timeout period completes. If the space is configured for Vacancy, the ARISTA controller(s) in the space will only react when they are manually activated. The lights will turn off after the sensor deems the space vacant and the timeout period completes. The ALC-DT-BT-WH also utilizes a built-in switch that can be used as a manual override to the programmed ARISTA controller(s). Secure Bluetooth® 5.0 mesh technology allows installers to quickly connect this device and configure settings via the ARISTA app without connecting to a Wi-Fi network. Secure

Bluetooth® 5.0 mesh technology allows installers to quickly connect this device and configure settings via the ARISTA app without connecting to a Wi-Fi network.

APPLICATIONS

- Indoor Lighting Control • Indoor Sensing Control

FEATURES

- 120-277 VAC
- Wireless communications
- Eliminates 3-way and multi-way wiring
- Adjustable sensitivity settings
- Independent settings for Ultrasonic and PIR sensor technologies
- Programmable ON/OFF button
- Can be used for occupancy or vacancy applications
- LED indicators for easy identification

| Model # | Description | Coverage Range |
|--------------|----------------------------------|--------------------------|
| ALC-DT-BT-WH | Dual Tech In-Wall OCC/VAC Sensor | PIR 1200 ft², US 400 ft² |
| ALC-PI-BT-WH | PIR In-Wall OCC/VAC Sensor | 1200 ft² |



ALC-DT-BT-WH



ALC-PI-BT-WH



| RATINGS | |
|-----------------------------|---------------------------|
| Input Voltage | 120-277 VAC, 50/60 Hz |
| Wiring Options Line Voltage | Leads |
| PIR Coverage Area (sq ft) | 1200 |
| Data Transfer Options | Bluetooth |
| Warranty | 5-Year limited |
| Operating Temperature | 32°F - 131°F (0°C - 55°C) |



ALC-CMP-DT-BT

CEILING MOUNT OCC/VAC SENSORS

ALC-CMP-DT-BT & ALC-CMP-BT

The Ceiling Mount Occupancy Vacancy Sensors designed for use with the ARISTA Lighting Controls System by Intermatic and will control lighting based upon occupancy/vacancy. If space is configured for Occupancy and movement is detected, the sensor informs the ARISTA controller(s) in the space and the lights will illuminate. The lights will turn off after the ARISTA controller(s) deem the space vacant and the timeout period completes. If space is configured for Vacancy, the ARISTA controller(s) in the space will only react when they are manually activated. The lights will turn off after the sensor deems the space vacant and the timeout period completes. This sensor provides a 360° coverage pattern. Secure Bluetooth® 5.0 mesh technology allows installers to quickly connect this device and configure settings via the ARISTA app without connecting to a Wi-Fi network.

APPLICATIONS

- Indoor Lighting Control • Indoor Sensing Control

FEATURES

- Wired or wireless communications
- Toolless battery replacement
- Multiple mounting options
- Adjustable sensitivity settings
- Independent settings for Ultrasonic and PIR sensor technologies
- Adjustable time-out settings



| RATINGS | |
|----------------------------|---------------------------|
| Input Voltage | 24 VDC |
| Wiring Options Low Voltage | Terminals |
| PIR Coverage Area (sq ft) | 1300 |
| Data Transfer Options | Bluetooth, Wired |
| Warranty | 5-Year limited |
| Operating Temperature | 32°F - 131°F (0°C - 55°C) |

| Model # | Description | Coverage Range |
|---------------|--|--|
| ALC-CMP-DT-BT | Dual Tech Ceiling Mount OCC/VAC Sensor | PIR 1300 ft ² , US 1600 ft ² |
| ALC-CMP-BT | PIR Ceiling Mount OCC/VAC Sensor | 1200 ft ² |

SIMPLIFY INSTALLATION WITH THE ARISTA APP

Use the ARISTA app to breeze through installation and configuration of ARISTA devices. Its simple workflows make it easy for contractors to set up lighting control boundaries, create ON/OFF schedules, set dimming levels, adjust sensors, add new users and more!

- **Quick Installation** – Once ARISTA devices (e.g., sensors, controllers) are physically installed and powered on, the ARISTA app helps contractors onboard components to the wireless network and assign them to a Project.
- **Define Boundaries** – Create dynamic lighting environments by assigning ARISTA devices to a specific Area, Space and Zone within a Project. This allows users to group components based on physical location and function.
- **Real-time Configuration** – Use the app to adjust input settings (e.g., run level, fade time) and create time schedules for each ARISTA device. A helpful “blink” feature allows installers to quickly identify devices in the field and begin configuration.
- **Grant Access** – Add new Installers to a Project to assist with configuration and/or commissioning on the job site. Once initial installation is complete, pass control to stakeholders by granting Occupant access within the app. This allows occupants to make adjustments to ARISTA devices within specific parameters set during installation.



Daylight Harvester

ALC-DH-BT

The ALC-DH-BT is a light sensor designed for use with the ARISTA Lighting Controls System by Intermatic. This sensor is used for daylight harvesting applications where energy conservation is essential. This sensor can be used for both open loop and closed loop applications. Secure Bluetooth® 5.0 mesh technology allows installers to quickly connect this device and configure settings via the ARISTA app without connecting to a Wi-Fi network.

APPLICATIONS

• Daylight Sensing • Indoor Lighting Control • Indoor Sensing Control

FEATURES

- Battery or 24 VDC powered
- Wired or wireless communications
- Toolless battery replacement
- Multiple mounting options
- Open or closed loop compatibility
- Selectable footcandle level settings

| Model # | Description | Light Level Ranges |
|-----------|--------------------|----------------------------------|
| ALC-DH-BT | Daylight Harvester | 0.1-30 fc; 3-300 fc; 30-3000 fc* |

*Settings are selectable through the ARISTA app



ALC-DH-BT



| RATINGS | |
|----------------------------|---------------------------|
| Input Voltage | 3 V Battery, 24 VDC |
| Wiring Options Low Voltage | Terminals |
| Data Transfer Options | Bluetooth |
| Warranty | 5-Year limited |
| Operating Temperature | 32°F - 131°F (0°C - 55°C) |

In-Wall Dimmer with Display

ALC-IWD

The ALC-IWD is an in-wall dimmer/switch designed for use with the ARISTA Lighting Controls System by Intermatic and will provide ON/OFF functionality as well as dimming capabilities. Due to the wireless design, these switches can be used as single-pole, 3-way, or multi-way applications. These units also feature a lockable user interface to prevent unauthorized changes from being made to the control. This product is designed for use with any ARISTA controllers by Intermatic.

APPLICATIONS

• Dimming • Indoor Lighting Control • Indoor Sensing Control

FEATURES

- Wireless communications
- Eliminates 3-way and multi-way wiring
- Manual On/Off and dimming operations
- Easy to follow display
- Selectable back-lit display settings
- Firmware allows users to update device, install new features
- Single-pole or Multi-pole applications
- Dim from multiple locations
- Easy wiring
- Lockable to prevent unauthorized changes



ALC-IWD



| RATINGS | |
|-----------------------------|---------------------------|
| Input Voltage | 120-277 VAC, 60 Hz |
| Wiring Options Line Voltage | Pigtails |
| Data Transfer Options | Bluetooth |
| Warranty | 5-Year limited |
| Operating Temperature | 32°F - 131°F (0°C - 55°C) |

ARISTA System Solutions

Improve occupant comfort and boost energy efficiency with the ARISTA Lighting Control System. The customizable smart system helps building owners create dynamic, code-compliant indoor environments that optimize natural light and support business needs. Check out a few system solution below.



Private Office or Lobby with Dimming

System Set Up:

- ALC1-R (1)
- ALC-CMP-BT (1)
- ALC-IWD (1)



Open Office with Dimming

System Set Up:

- ALC1-R (2)
- ALC-CMP-BT (6)
- ALC-IWD (2)



Private Office or Lobby with Dimming and Daylight Harvesting

System Set Up:

- ALC1-R (1)
- ALC-CMP-BT (1)
- ALC-IWD (1)
- ALC-DH-BT (1)



Break Room with Dimming

System Set Up:

- ALC1-R (1)
- ALC-IWD (1)
- ALC-WM-BT (1)



Simple. Scalable. Wireless.

Bring comfort and safety to outdoor spaces with the **ARISTA® Nightscape Advanced Lighting Control System**. The customizable system combines locking-type controls and smart presence sensors with Bluetooth mesh technology to create dynamic lighting environments that are occupant-friendly and code compliant. This is done all without a gateway or central control unit.



Easy Setup

Use the ARISTA Nightscape mobile app to configure sensors and controllers, adjust lighting schedules and monitor performance on the go.

Robust Control

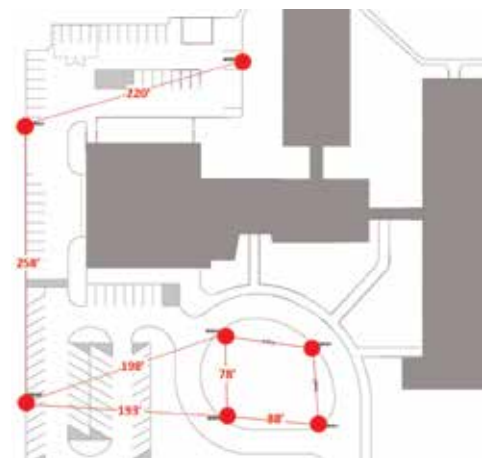
Tailor ON/OFF, sensor presence overrides and part-night dimming schedules for different areas and occupant needs in large outdoor environments.

Applications:

- Commercial buildings
- Schools
- Parking lots
- Parks

Contact your local Intermatic representative to be the first to demo the new ARISTA Nightscape Lighting Control System. Available soon!

Intermatic.com/ARISTA



Example Application:

U-Shaped parking lot with a roundabout outdoor area at a primary school.

Electronic Controls Solutions

Take command of complex lighting and load schedules with our robust electronic controls. Flexible 24-hour, 7-day, 365-day and dusk-to-dawn scheduling options make these solutions an excellent fit for office buildings, retail stores, schools and more.

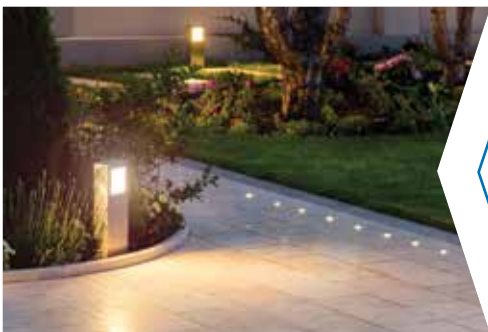


Indoor Lighting Control

Boost energy efficiency and promote occupant comfort with versatile indoor lighting controls. These solutions allow users to create dynamic ON/OFF lighting schedules as well as control lights based on daily activity (Occ/Vac).

Timing/Scheduling ON/OFF

Take the guesswork out of daily lighting schedules with simple, reliable time scheduling controls. These solutions allow users to set daily or weekly ON/OFF schedules for a range of applications, including lighting, ventilation, pump controls and more.



Outdoor Lighting Control

Promote safety and comfort by illuminating outdoor spaces with energy-saving Astronomic timer controls and dusk-to-dawn photocontrols.

Industrial Cycling Controls

Manage ON/OFF and maintenance schedules of 3-phase motor loads with our robust electronic controls. Select solutions allow users to create monthly start-up schedules to support the long-term performance of machinery and industrial equipment.



Contents

| | |
|---|----|
| Advanced Time Switch | 22 |
| Basic Plus Series | 24 |
| Basic Series | 26 |
| Electronic All Purpose Contractor Box | 28 |
| Panel, Surface/DIN Rail Mount - 24-Hour or 7-Day | 30 |
| Panel, Surface/DIN Rail or Flush Mount - 24-Hour or 7-Day..... | 31 |
| Surface/DIN Rail Mount - 24-Hour or 7-Day..... | 32 |
| Flush and Surface Mount - 24-Hour or 7-Day | 33 |
| Enclosed Timer Module - 24-Hour..... | 34 |
| Accessories & Enclosures | 36 |

Additional Solutions and Resources

Ready to get started? Scan the QR code to the right for a variety of helpful resources, including sell sheets, product instructions, installation videos and more.





ET91615CR



ET90215CRE



ET90115C

ET90000 Series

365-DAY ASTRONOMIC TIME SWITCHES

The ET90000 Series combines powerful and intuitive scheduling with truly maintenance-free convenience. The PC App and Mobile App provide real-time remote control, and the USB connection and Ethernet capabilities enable in-field updates.

APPLICATIONS

- Indoor Lighting Control - Outdoor Lighting Control - Timing/Scheduling ON/OFF
- Machinery & Pump Controls

FEATURES

- Automatic input voltage selection from 120 to 277 VAC, 50/60 Hz
- Over 2,000 events plus holiday schedules
- Advanced scheduling including relative events, such as fourth Thursday of November or first week of year
- 30 A rated contacts
- 100-hour supercapacitor eliminates the need for batteries
- USB connection for uploading, downloading and transferring programs
- Easy-to-follow on-screen menus for programming to-the-minute accuracy
- Non-volatile memory protects programming indefinitely
- Firmware can be upgraded in-field via USB or Ethernet
- Internally expandable, in 4-circuit increments, up to 16-circuits for 4, 8, and 12-circuit models
- PC App for easy scheduling or control, either remotely or through USB flash drive
- Mobile app for real time status and overrides

| Load Type | NO (Normally Open) | NC (Normally Closed) |
|---------------------------------|--|--|
| Input Voltage | 120-277 VAC, 50/60 Hz | 12-240 VAC, 50/60 Hz |
| General Purpose | 30 A, 12-240 VAC, 50/60 Hz | 10 A, 12-240 VAC, 50/60 Hz |
| Ballast (Fluorescent) | 20 A, 120-277 VAC, 50/60 Hz | 3 A, 120-277 VAC, 50/60 Hz |
| Electronic Ballast (LED) | 8 A, 120-277 VAC, 50/60 Hz | - |
| Restive (Heater) | 20 A, 28 VDC; 30 A, 12-240 VAC, 50/60 Hz | 10 A, 28 VDC; 10 A, 120-240 VAC, 50/60 Hz |
| Tungsten (Incandescent) | 5 A, 12-120 VAC, 50/60 Hz | - |
| Pilot Duty | 470 VA, 120-240 VAC, 50/60 Hz | 275 VA, 120-240 VAC, 50/60 Hz |
| Motor | 1 HP, 120 VAC, 50/60 Hz; 2 HP, 240 VAC, 50/60 Hz | 1/4 HP, 120 VAC, 50/60 Hz; 1/2 HP, 240 VAC, 50/60 Hz |

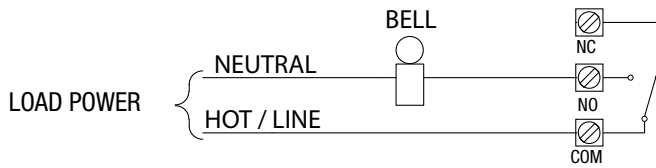
| Model # | Circuits | Enclosure | Ethernet |
|------------|----------|-----------------------|--------------------------|
| ET90115C | 1 | Indoor type 1 metal | Ethernet Optional/USB |
| ET90115CE | 1 | Indoor type 1 metal | Ethernet Included/USB |
| ET90115CR | 1 | Outdoor type 3R metal | Ethernet Optional/USB |
| ET90115CRE | 1 | Outdoor type 3R metal | Ethernet Included/USB |
| ET90215C | 2 | Indoor type 1 metal | Ethernet Optional/USB |
| ET90215CE | 2 | Indoor type 1 metal | Ethernet Included/USB |
| ET90215CR | 2 | Outdoor type 3R metal | Ethernet Optional/USB |
| ET90215CRE | 2 | Outdoor type 3R metal | Ethernet Included/USB |
| ET90415CR | 4 | Outdoor type 3R metal | Ethernet Included/USB |
| ET90815CR | 8 | Outdoor type 3R metal | Ethernet Included/USB |
| ET91215CR | 12 | Outdoor type 3R metal | Ethernet Included/USB |
| ET91615CR | 16 | Outdoor type 3R metal | Ethernet Included/USB |



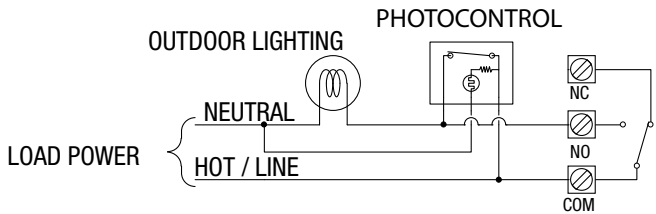
| RATINGS | |
|------------------------------|------------------------------|
| Wire Size | #6 AWG |
| Min ON/OFF Times | 1 Sec |
| Max ON/OFF Times | 365 days |
| Warranty | 3-Year limited |
| Operating Temperature | -40°F - 104°F (-40°C - 40°C) |

Note: The electronic mechanism snaps into the standard Intermatic enclosure for easy upgrading of mechanical mechanisms, if desired. For outdoor rated metal enclosures contact Intermatic. For accessories see page 34

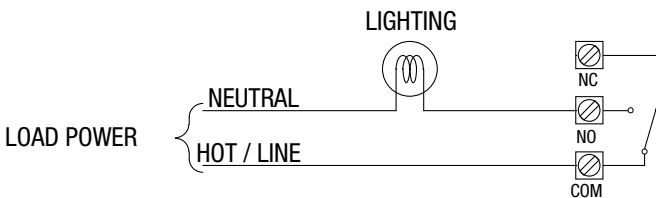
WIRING DIAGRAMS



Typical bell, buzzer, or ringing installation. Multiple loads may be wired concurrently, within the maximum output ratings for the circuit.



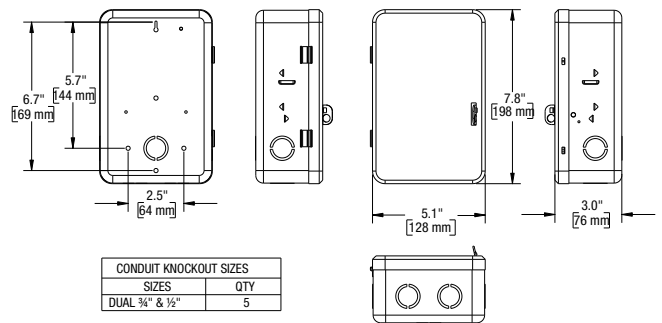
Typical installation for photocontrol in parallel with time switch contacts. Either the time switch OR the photocontrol must be ON to power the load. Ideal for improved safety. Loads will activate at the scheduled times, at night, or during low-light conditions such as a storm.



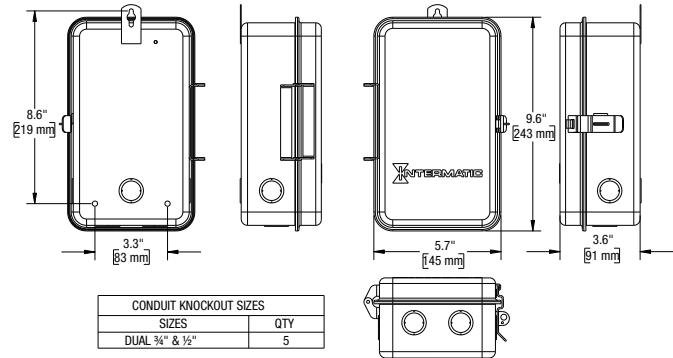
Typical lighting installation. Multiple loads may be wired concurrently, within the maximum output ratings for the circuit.

ENCLOSURE DIMENSIONS

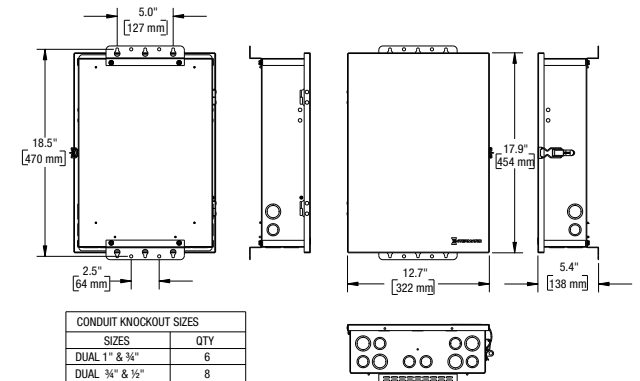
Type 1, 1-2 Circuit



Type 3R, 1-2 Circuit



Type 3R, 4-16 Circuit



ET90000 PC APP



The ET90000 PC App enables real-time remote control of each ET90000 device from the convenience of your laptop. It's a great tool for creating schedules before, during, or after installation. Plus, with the PC App you can control circuits, perform firmware updates, or download events, zones, and holidays from wherever you are working. The ET90000 PC App is available at Intermatic.com.



ET2105C



ET2705C



ET2725CP



ET2845CR

ET2000 Series

BASIC+ ELECTRONIC TIME SWITCHES

The ET2000 Series offers an easy-to-use interface, while still allowing to-the-minute scheduling capabilities for nearly any application. This series provides 50 holiday blocks with independent scheduling to ensure the loads are always in the proper ON/OFF state. This series also includes 96 ON/OFF events for even the most demanding schedules. The scheduling capabilities, configurable outputs, and a 100-hour backup without the need of batteries, make this series ideal for nearly any application.

APPLICATIONS

• Outdoor Lighting Control • Timing/Scheduling ON/OFF • Machinery & Pump Controls

FEATURES

- 100-hour supercapacitor eliminates the need for batteries
- Up to 96 set points or events
- Up to 50 holiday blocks with schedule capabilities
- Automatic input voltage selection from 120 to 277 VAC, 60 Hz
- Additional mode of operation turns the ON/OFF buttons into 2-hour overrides
- Configurable outputs allow the control of various voltages and applications
- Relays incorporate zero-crossing technology to extend the life of the control
- Non-volatile EEPROM memory protects programming indefinitely
- LED compatible
- USB port makes transferring and saving of schedules easy
- 2-year limited warranty

24-HOUR SCHEDULE

| Model # | Enclosure |
|---|--|
| 1-Circuit SPST Switch | |
| ET2105C | Indoor type 1 metal |
| ET2105CP | Indoor/outdoor type 3R plastic with see-through door |
| ET2105CR | Outdoor type 3R metal |
| 1-Circuit SPDT Switch | |
| ET2115C | Indoor type 1 metal |
| ET2115CP | Indoor/outdoor type 3R plastic with see-through door |
| ET2115CR | Outdoor type 3R metal |
| 2-Circuit 2xSPST, 1xDPST or Pulse Switch | |
| ET2125C | Indoor type 1 metal |
| ET2125CP | Indoor/outdoor type 3R plastic with see-through door |
| ET2125CR | Outdoor type 3R metal |
| 4-Circuit 4xSPST, 2xDPST or Pulse Switch | |
| ET2145C | Indoor type 1 metal |
| ET2145CP | Indoor/outdoor type 3R plastic with see-through door |
| ET2145CR | Outdoor type 3R metal |

7-DAY SCHEDULE

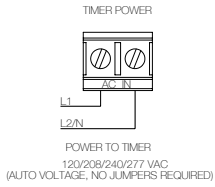
| Model # | Enclosure |
|--|--|
| 1-Circuit SPST Switch | |
| ET2705C | Indoor type 1 metal |
| ET2705CP | Indoor/outdoor type 3R plastic with see-through door |
| ET2705CR | Outdoor type 3R metal |
| 1-Circuit SPDT Switch | |
| ET2715C | Indoor type 1 metal |
| ET2715CP | Indoor/outdoor type 3R plastic with see-through door |
| ET2715CR | Outdoor type 3R metal |
| 2-Circuits 2xSPST, 1xDPST or Pulse Switch | |
| ET2725C | Indoor type 1 metal |
| ET2725CP | Indoor/outdoor type 3R plastic with see-through door |
| ET2725CR | Outdoor type 3R metal |
| 4-Circuits 4xSPST, 2xDPST or Pulse Switch | |
| ET2745C | Indoor type 1 metal |
| ET2745CP | Indoor/outdoor type 3R plastic with see-through door |
| ET2745CR | Outdoor type 3R metal |

7-DAY ASTRONOMIC SCHEDULE

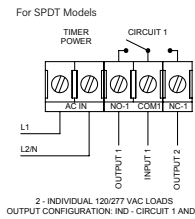
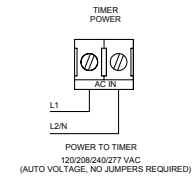
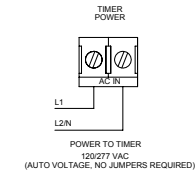
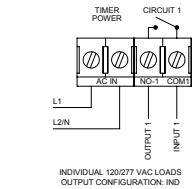
| Model # | Enclosure |
|--|--|
| 1-Circuits SPST Switch | |
| ET2805C | Indoor type 1 metal |
| ET2805CP | Indoor/outdoor type 3R plastic with see-through door |
| ET2805CR | Outdoor type 3R metal |
| 1-Circuit SPDT Switch | |
| ET2815C | Indoor type 1 metal |
| ET2815CP | Indoor/outdoor type 3R plastic with see-through door |
| ET2815CR | Outdoor type 3R metal |
| 2-Circuits 2xSPST, 1xDPST or Pulse Switch | |
| ET2825C | Indoor type 1 metal |
| ET2825CP | Indoor/outdoor type 3R plastic with see-through door |
| ET2825CR | Outdoor type 3R metal |
| 4-Circuits 4xSPST, 2xDPST or Pulse Switch | |
| ET2845C | Indoor type 1 metal |
| ET2845CP | Indoor/outdoor type 3R plastic with see-through door |
| ET2845CR | Outdoor type 3R metal |

The electronic mechanism snaps into the standard Intermatic enclosure for easy upgrading of mechanical mechanisms, if desired. Contact Intermatic for additional outdoor rated enclosures or see accessories on page 34.

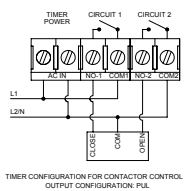
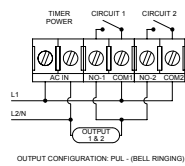
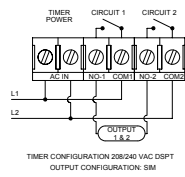
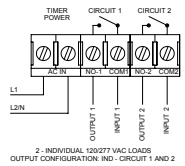
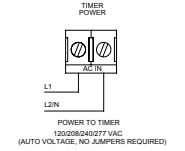
Timer Power



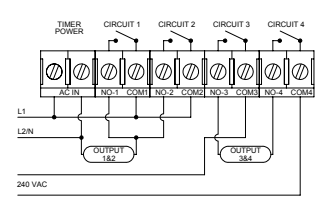
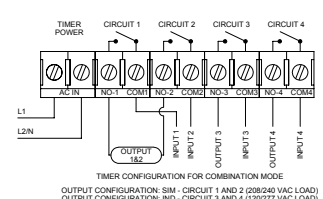
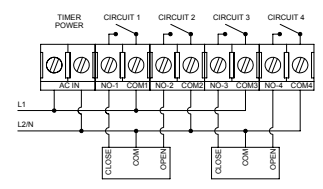
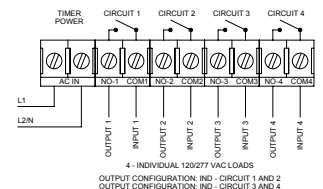
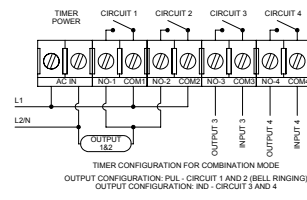
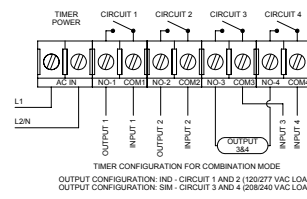
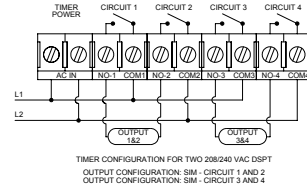
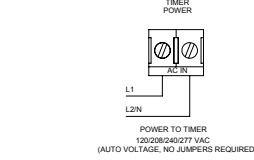
1-Circuit



2-Circuit



4-Circuit



| RATINGS: SPST | |
|--------------------------|---|
| Input Voltage | 120-277 VAC, 60 Hz |
| NO Contacts | |
| Electronic Ballast (LED) | 10 A, 120/277 VAC, 60 Hz |
| Ballast (Fluorescent) | 20 A, 120-277 VAC, 60 Hz |
| Inductive | 30 A, 120-240 VAC, 60 Hz |
| Resistive (Heater) | 20 A, 28 VDC; 30 A, 120-240 VAC, 60 Hz |
| Tungsten (Incandescent) | 5 A, 120-277 VAC, 60 Hz |
| Motor | 1 HP, 120 VAC, 60 Hz; 2 HP, 240 VAC, 60 Hz |
| Warranty | 2-Year limited |
| Operating Temperature | -40°F - 104°F (-40°C - 40°C) |

| RATINGS: SPDT | |
|--------------------------|--|
| Input Voltage | 120-277 VAC, 60 Hz |
| NO Contacts | |
| Electronic Ballast (LED) | 10A, 120/277 VAC, 60 Hz |
| Ballast (Fluorescent) | 20 A, 120-277 VAC, 60 Hz |
| Inductive | 20 A, 120-240 VAC, 60 Hz |
| Resistive (Heater) | 20 A, 28 VDC; 20 A, 120-240 VAC, 60 Hz |
| Motor | 1 HP, 120 VAC, 60 Hz; 2 HP, 240 VAC, 60 Hz |
| NC Contacts | |
| Ballast (Fluorescent) | 3 A, 120-277 VAC, 60 Hz |
| Inductive | 10 A, 120-240 VAC, 60 Hz |
| Resistive (Heater) | 10 A, 28 VDC; 10 A, 120-240 VAC, 60 Hz |
| Motor | 1/4 HP, 120 VAC, 60 Hz; 1/2 HP, 240 VAC, 60 Hz |
| Warranty | 2-Year limited |
| Operating Temperature | -40°F - 104°F (-40°C - 40°C) |

| RATINGS: 2XSPST, 1XDPST OR PULSE | |
|----------------------------------|---|
| Input Voltage | 120-277 VAC, 60 Hz |
| NO Contacts | |
| Electronic Ballast (LED) | 10A, 120/277 VAC, 60 Hz |
| Ballast (Fluorescent) | 20 A, 120-277 VAC, 60 Hz |
| Inductive | 30 A, 120-240 VAC, 60 Hz |
| Resistive (Heater) | 20 A, 28 VDC; 30 A, 120-240 VAC, 60 Hz |
| Tungsten (Incandescent) | 5 A, 120-277 VAC, 60 Hz |
| Motor | 1 HP, 120 VAC, 60 Hz; 2 HP, 240 VAC, 60 Hz |
| Warranty | 2-Year limited |
| Operating Temperature | -40°F - 104°F (-40°C - 40°C) |

Electronic Controls

Basic Series



ET1125C

ET1705C



ET8215C

ET1100 Series, ET1700 Series, ET8000 Series

BASIC ELECTRONIC TIME SWITCHES

This series offers an easy way to upgrade from a basic mechanical time switch to an electronic time switch. These timers will allow for up-to-the-minute programming, battery backup for power loss, up to 28 events total, and automatic daylight saving time corrections without the need of user interaction. They come in standard 24-hour, 7-day and 7-day astronomic versions.

APPLICATIONS

- Outdoor Lighting Control • Timing/Scheduling ON/OFF • Machinery & Pump Controls

FEATURES

- Selector switch to determine input voltage between 120-277 VAC, 50/60 Hz
- Up to 28 events total
- To-the-minute accuracy
- Temporary override or permanent manual override
- Automatic Daylight Saving Time adjustment
- Astronomic models enable dusk-to-dawn scheduling

24-HOUR SCHEDULE

| Model # | Enclosure |
|--|---------------------|
| 1-Circuit SPST Switch | |
| ET1105C | Indoor type 1 metal |
| 2-Circuits 2xSPST, 1xDPST or Pulse Switch | |
| ET1125C | Indoor type 1 metal |

7-DAY SCHEDULE

| Model # | Enclosure |
|--|---------------------|
| 1-Circuit SPST Switch | |
| ET1705C | Indoor type 1 metal |
| 2-Circuits 2xSPST, 1xDPST or Pulse Switch | |
| ET1725C | Indoor type 1 metal |

7-DAY ASTRONOMIC SCHEDULE

| Model # | Enclosure |
|--|-----------------------|
| 1-Circuit SPST Switch | |
| ET8015C | Indoor type 1 metal |
| 2-Circuits 2xSPST, 1xDPST or Pulse Switch | |
| ET8215C | Indoor type 1 metal |
| 4-Circuits 4xSPST, 2xDPST or 2xPulse Switch | |
| ET8415CR* | Outdoor type 3R metal |

Rated for 4.5 A Electronic Ballast (LED)



| RATINGS: SPST | |
|---------------------------------|------------------------------------|
| Input Voltage | 120-277 VAC, 50/60 Hz |
| NO Contacts | |
| Electronic Ballast (LED) | 1 A, 120-277 VAC |
| Ballast (Fluorescent) | 20 A, 120-277 VAC |
| Inductive | 30 A, 120/240 VAC |
| Resistive (Heater) | 20 A, 28 VDC; 30 A, 120/240 VAC |
| Tungsten (Incandescent) | 5 A, 120/240 VAC |
| Motor | 1 HP, 120 VAC; 2 HP, 240 VAC |
| Warranty | 1-Year limited |
| Operating Temperature | -40°F - 104°F (-40°C - 40°C) |

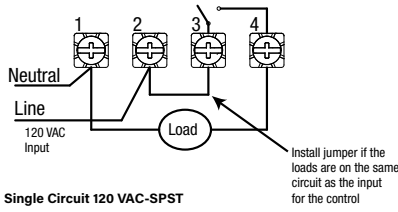
| RATINGS: 2XSPST, 1XDPST OR PULSE | |
|----------------------------------|------------------------------------|
| Input Voltage | 120-277 VAC, 50/60 Hz |
| NO Contacts | |
| Electronic Ballast (LED) | 1 A, 120-277 VAC |
| Ballast (Fluorescent) | 20 A, 120-277 VAC |
| Inductive | 30 A, 120/240 VAC |
| Resistive (Heater) | 20 A, 28 VDC; 30 A, 120/240 VAC |
| Motor | 1 HP, 120 VAC; 2 HP, 240 VAC |
| Warranty | 1-Year limited |
| Operating Temperature | -40°F - 104°F (-40° - 40°C) |

| Enclosure | |
|----------------------------|---|
| Type | Indoor type 1 metal |
| Dimensions | 7.875" x 5.125" x 3.4375" (200 mm x 130.2 mm x 87.3 mm) |
| Knockout Dimensions | |
| Side/Back | (1) combination ½" - ¾" |
| Bottom | (2) combination ½" - ¾" |

The electronic mechanism snaps into the standard Intermatic enclosure for easy upgrading of mechanical mechanisms, if desired.
For outdoor rated metal enclosures contact Intermatic.
For accessories see page 34
For enclosure line drawings and knockout locations, see pages 35 & 186.

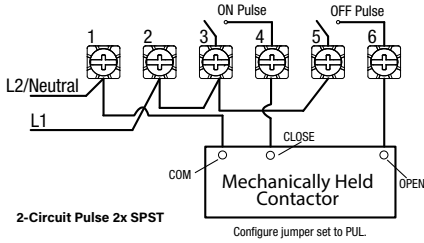
ET1100, ET1700, ET8000 SERIES

Timer Power



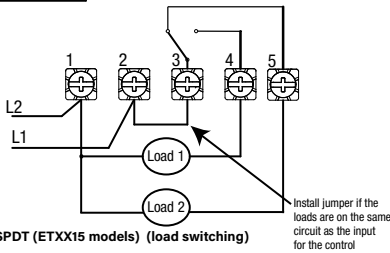
Single Circuit 120 VAC-SPST

Timer Power



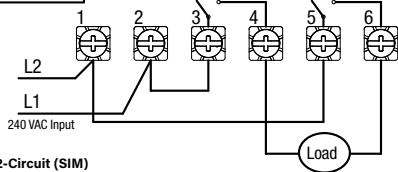
2-Circuit Pulse 2x SPST

Timer Power



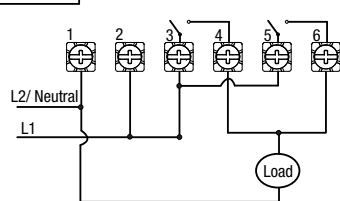
SPDT (ETXX15 models) (load switching)

Timer Power



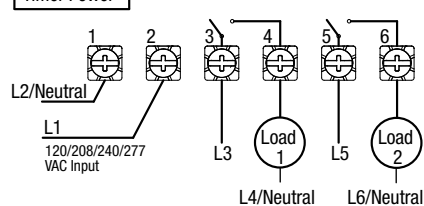
2-Circuit (SIM)

Timer Power



2-Circuit (Per Bell Ringing)

Timer Power



2-Circuit (IND)

ET8415CR WIRING DIAGRAMS

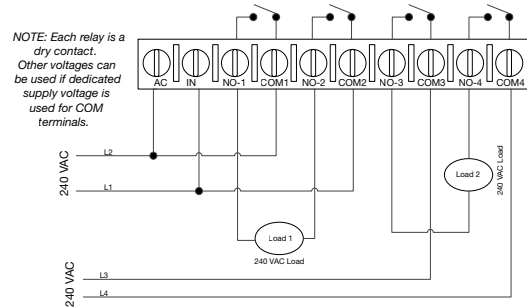
There are many different ways to set the relays on the ET8415CR Time Switch. The four relays can be used individually or in pairs of two. Refer to the table below for a complete list of ways to set the relays and illustrations for some of the common wiring installations.

| Possible switching configurations | | |
|-----------------------------------|---------|---------|
| IND/IND | SIM/IND | PUL/IND |
| IND/SIM | SIM/SIM | PUL/SIM |
| IND/PUL | SIM/PUL | PUL/PUL |

Note:
IND= Independent SIM= Simultaneous PUL= Pulse

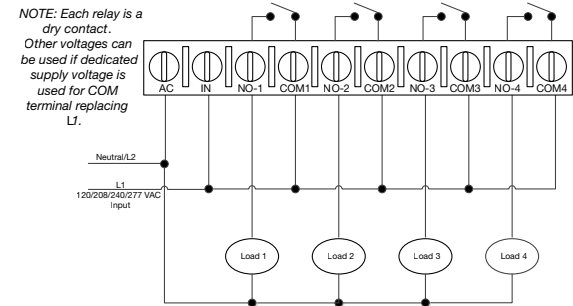
2x DPST

Operation Mode set to SIM for both sets of contacts, input and output voltage are the same.



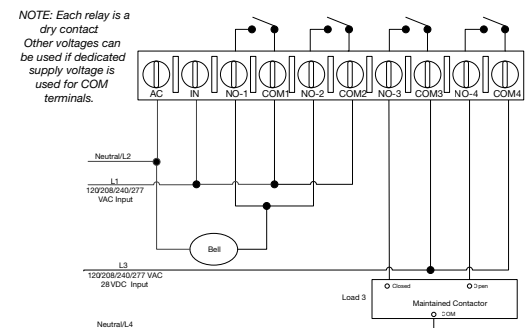
4x SPST

Operation Mode set to IND, input and output voltage are the same.



2x Pulse

Operation mode set to PUL for both sets of contacts, each ON and OFF event for circuit 1 will ring the bell. Each ON event for Circuit 3 will close contactor and each OFF event will open contactor.





ETCB28253PCR

Contractor Box

ELECTRONIC ALL-PURPOSE CONTRACTOR BOX

The ETCB28253PCR is a field-ready solution that provides a durable Type 3-R Enclosure, a built-in 7/365 Day Astronomic Timer, 60 Amp 3-Pole contactor, inputs for timed photocontrol override, switched override capabilities, as well as inputs for surge protective devices. The timer allows for 96 ON/OFF events, 50 holiday blocks with independent scheduling, Astronomic scheduling, and 100-hour backup without the need of replacing batteries. The clock input voltage is 120 VAC, 60 Hz. The contactor has a 120 VAC coil to turn it on or off, which is completely independent of the voltage ratings that can be used with the contactor itself. The contactor can be used for 120-480 VAC, 60 Hz

APPLICATIONS

- Indoor Lighting Control - Outdoor Lighting Control - 3-Phase Motor Control
- Timing/Scheduling ON/OFF - Machinery & Pump Controls

FEATURES


- 3-Pole 60 A Contactor
- Timed photo control inputs
- Surge Protection Inputs
- 100-hour supercapacitor eliminates the need for batteries
- Up to 96 set points or events
- Up to 50 Holiday blocks with schedule capabilities
- Astronomic settings to automatically adjust for sunrise and sunset times based on location
- Additional mode of operation turns the ON/OFF buttons into 2-hour overrides
- Non-volatile EEPROM memory protects programming indefinitely
- USB port makes transferring and saving of schedules easy
- 2-year limited warranty



| RATINGS | |
|-----------------------|--|
| Input Voltage | 120 VAC, 60 Hz |
| Restive (Heater) | 60 A |
| Motor | 5 HP, 120 VAC; 10 HP, 240 VAC, (Single-Phase); 25 HP (360 LRA), 240 VAC; 30 HP (300 LRA), 480 VAC |
| Warranty | 2-Year limited |
| Operating Temperature | -40°F - 104° F (-40°C - 40°C) |

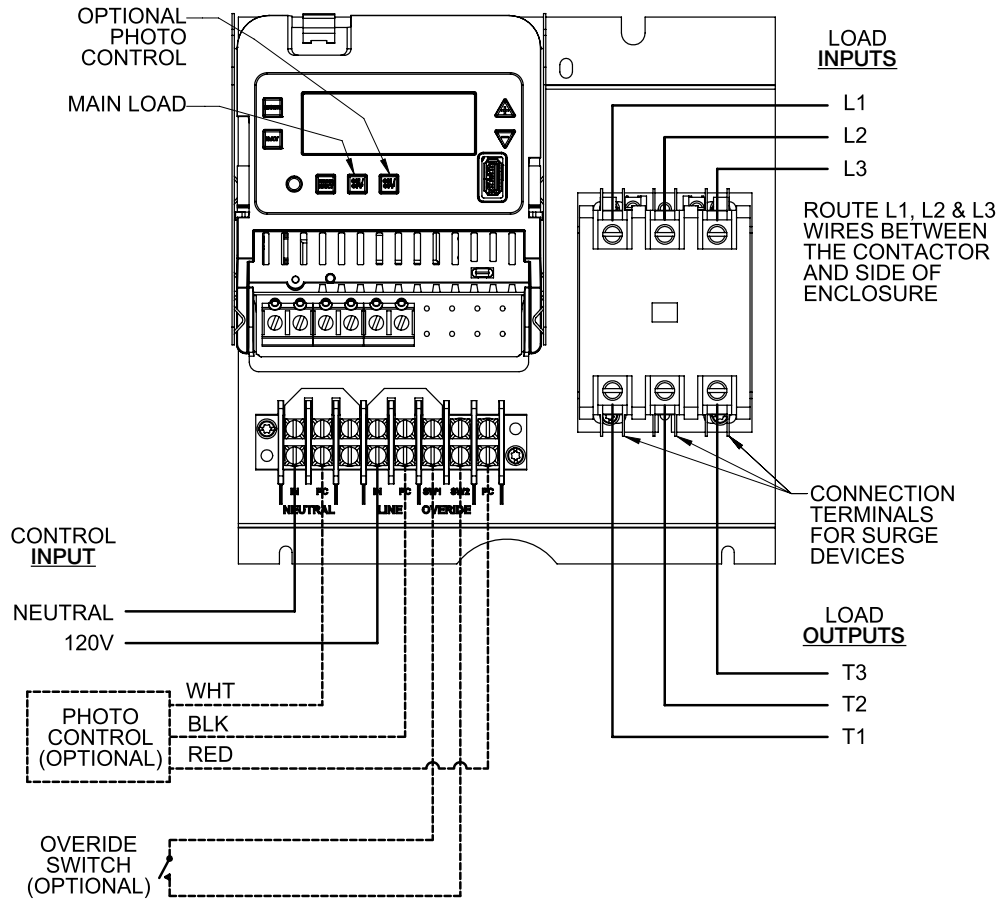
| Model # | Switch Type | Enclosure |
|--------------|-------------|-----------------------------|
| ETCB28253PCR | 3xSPST | Indoor/outdoor type 3 metal |

WANT MORE?

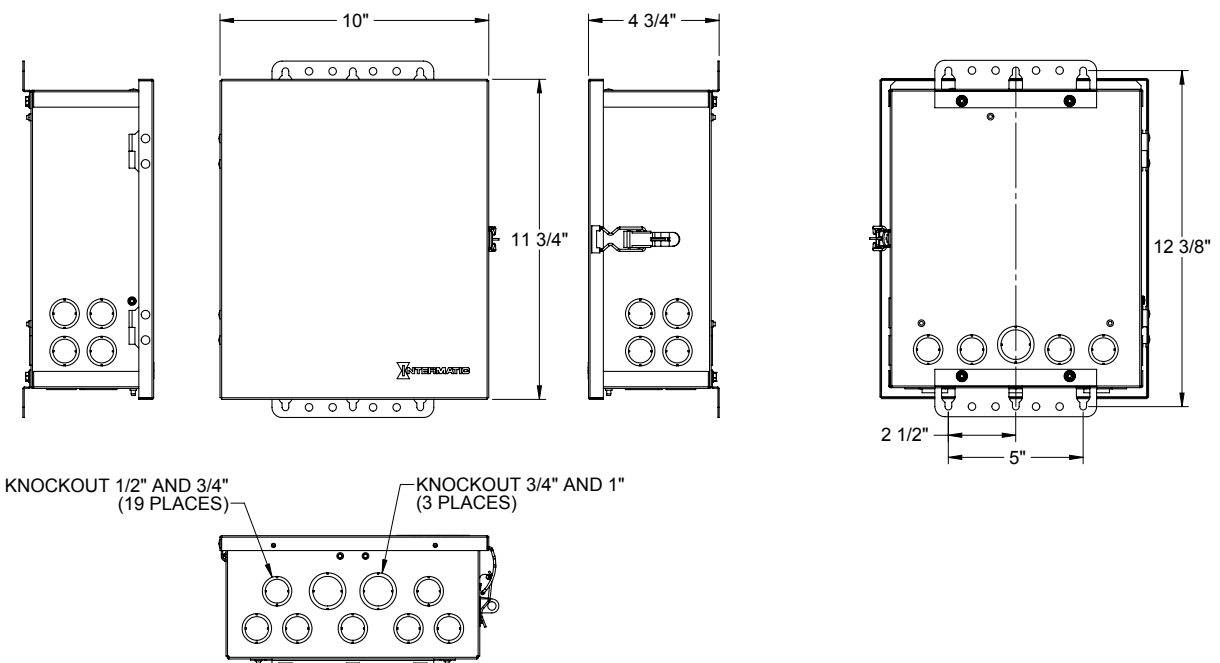


For additional products check out our Surge Protection Solutions starting on page 118 and our Photocontrol Solutions starting on page 88. Stay updated on new Contractor Box solutions by visiting Intermatic.com.

WIRING DIAGRAMS



ENCLOSURE DIMENSIONS



Electronic Controls

Panel, Surface/DIN Rail Mount - 24-Hour or 7-Day



FM1D14-24U

FM1D14 Series

15A, 1 CIRCUIT, 14 PROGRAM ELECTRONIC TIMER

The FM1D14 Series is a great value electronic time-based control solution for ventilating, heating, cooling, lighting or other electrical loads in commercial and industrial applications. These one-channel time switches are programmable for 24-hour or 7-day schedules. The FM1D14 Series is intended for either panel, surface or DIN rail mounting. Surface/DIN rail are completely enclosed in a plastic housing and include a terminal cover, dust cover and subbase for installation and hard wiring.

APPLICATIONS

- Refrigeration Merchandiser - Air Movement & Ventilation - Aeration
- Septic Treatment - Generator Exercising

FEATURES

- 24-Hour or 7-day applications
- 14 Set point programs
- Easy to program
- Manual override with status indication
- Self-recharging battery with backup protection up to 2500-hours
- LCD display
- 5 Preset adjustable block programs
- A models come with clear dust cover

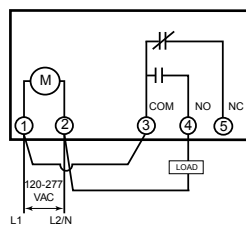


| RATINGS | |
|-------------------------|--|
| Input Voltage | See Model Chart |
| Power Consumption VA | 4 |
| Switch Type | SPDT |
| NO Contacts | |
| Ballast (Fluorescent) | 8 A, 277 VAC |
| Tungsten (Incandescent) | 1000 W, 120 VAC |
| Pilot Duty | B300 |
| Motor | 1/2 HP @ 120 VAC, 1 HP @ 250 VAC, 10 FLA, 60 LRA @ 250 VAC |
| NC Contacts | |
| Resistive (Heater) | 12 A, 24 VDC |
| Motor | 1/2 HP @ 120/240 VAC, 10 FLA, 60 LRA @ 250 VAC |
| Wiring Terminals | Screw terminals for #24 to #10 AWG wire (A models) |
| Operating Temperature | -40°F - 131°F (-40°C - 55°C) |
| Warranty | 1-Year limited |

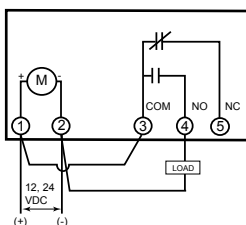
| Model # | Mounting | Input Voltage | Programs |
|-------------|-------------------|-----------------------|----------|
| FM1D14-24U | Panel | 24 VAC/VDC, 50/60 Hz | 14 |
| FM1D14-AV-U | Panel | 120-277 VAC, 50/60 Hz | 14 |
| FM1D14A-24 | DIN Rail, Surface | 24 VAC/VDC, 50/60 Hz | 14 |
| FM1D14A-AV | DIN Rail, Surface | 120-277 VAC, 50/60 Hz | 14 |

WIRING DIAGRAMS

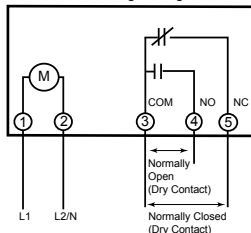
Typical Wiring:
24-277 VAC Application



Typical Wiring:
24 VDC Application

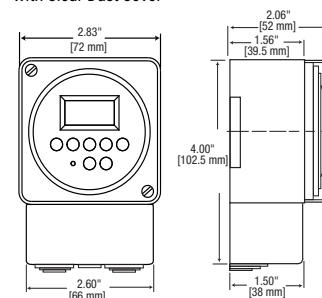


NO & NC Switching Configuration

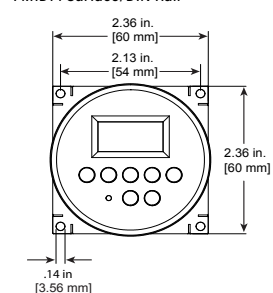


DIMENSIONS

FM1D14A Surface/DIN Rail
with Clear Dust Cover



FM1D14 Surface/DIN Rail



FM1D20 Series

16 A, 1-CIRCUIT TIMER MODULES

The FM1D20 Series Electronic Time Controls are for ventilating, heating, cooling, lighting or other electrical loads in commercial and industrial applications. These one-channel time switches are programmable for 24-hour or 7-day schedules. They are intended for either panel, surface, flush, or DIN rail mounting. Flush and surface/DIN rail (A & E models) are completely enclosed in a plastic housing and include a terminal cover, dust cover and subbase for installation and hard wiring.

APPLICATIONS

- Refrigeration Merchandiser • Air Movement & Ventilation • Aeration
- Septic Treatment • Generator Exercising

FEATURES

- 24-Hour or 7-day applications
- 20 Set point programs
- Three preset adjustable block programs
- Easy-to-follow menu driven programming
- Manual override with status indication
- Battery backup
- Large LCD
- Daylight Saving Time adjustment
- A & E models come with clear dust cover

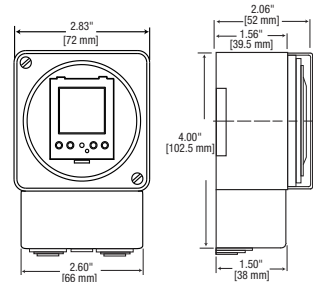


FM1D20-24U

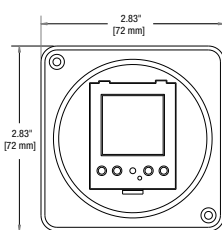
| Model # | Mounting | Input Voltage | Programs |
|-------------|-------------------|----------------------|----------|
| FM1D20-24U | Panel | 24 VAC/VDC, 50/60 Hz | 20 |
| FM1D20-120U | Panel | 120 VAC, 50/60 Hz | 20 |
| FM1D20A-24 | DIN Rail, Surface | 24 VAC/VDC, 50/60 Hz | 20 |
| FM1D20A-120 | DIN Rail, Surface | 120 VAC, 50/60 Hz | 20 |
| FM1D20A-240 | DIN Rail, Surface | 240 VAC, 50/60 Hz | 20 |
| FM1D20E-24 | Flush | 24 VAC/VDC, 50/60 Hz | 20 |
| FM1D20E-120 | Flush | 120 VAC, 50/60 Hz | 20 |

DIMENSIONS

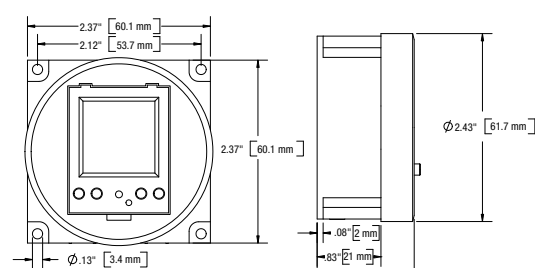
FM1D20A Surface/DIN Rail with Clear Dust Cover



FM1D20E Flush Mount with Clear Dust Cover



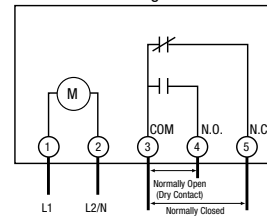
FM1D20 Flush Mount with Clear Dust Cover



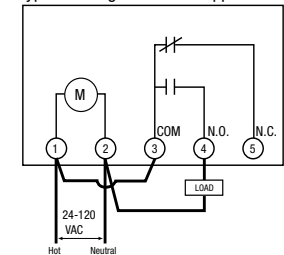
| RATINGS | |
|-------------------------|----------------------------------|
| Input Voltage | See Model Chart |
| Power Consumption VA | 4 |
| Switch Type | SPDT |
| NO Contacts | |
| Ballast (Fluorescent) | 8 A, 240 VAC, 12 A, 120 VAC |
| Tungsten (Incandescent) | 600 W, 120 VAC, 1000 W, 240 VAC |
| Pilot Duty | 360 VA, 120 VAC, 720 VA, 240 VAC |
| Motor | 1/2 HP, 120 VAC, 1 HP, 240 VAC |
| NC Contacts | |
| Resistive (Heater) | 16 A, 277 VAC, 8 A, 24 VDC |
| Wiring Terminals | 1/4" Quick connect terminals |
| Operating Temperature | -13°F - 131°F (-25°C - 55°C) |
| Warranty | 1-Year limited |

WIRING DIAGRAMS

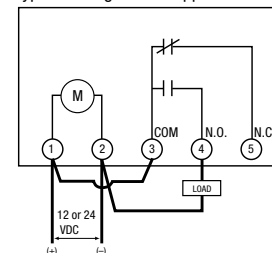
NO/NC Switch Configuration



Typical Wiring: 24-120 VAC Application



Typical Wiring: 24 VDC Application



Electronic Controls

Surface/DIN Rail or Mount - 24-Hour or 7-Day



FM1D50A-24

FM1D50 Series

16 A, 1-CIRCUIT TIMER MODULES

The FM1D50 Series Electronic Time-Based Controls enable switching of ventilation, heating, cooling, lighting or other electrical loads in commercial and industrial applications. These one-channel time switches are programmable for 24-hour or 7-day schedules. They are intended for DIN rail mounting. Surface/DIN rail models are completely enclosed in a plastic housing and include a terminal cover, dust cover and subbase for installation and hard wiring.

APPLICATIONS

- Refrigeration Merchandiser • Air Movement & Ventilation • Aeration • Septic Treatment
- Generator Exercising

FEATURES

- 24-Hour or 7-day applications
- 50 Set point programs
- Two preset adjustable block programs
- Easy-to-follow menu driven programming
- Manual override with status indication
- Battery backup
- Large LCD
- Seven available languages: English, German, French, Italian, Spanish, Portuguese and Dutch
- Auto Daylight Saving Time feature
- A & E Models come with clear dust cover

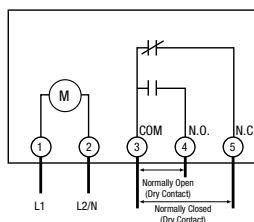


| RATINGS | |
|-------------------------|---|
| Input Voltage | See Model Chart |
| Power Consumption VA | 4 |
| Switch Type | SPDT |
| NO Contacts | |
| Ballast (Fluorescent) | 8 A, 240 VAC, 12 A, 120 VAC |
| Resistive (Heater) | 16 A, 277 VAC |
| Tungsten (Incandescent) | 600 W, 120 VAC, 1000 W, 240 VAC |
| Pilot Duty | 360 VA, 120 VAC, 720 VA, 240 VAC |
| Motor | 1/2 HP, 120 VAC, 1 HP, 240 VAC |
| NC Contacts | |
| Resistive (Heater) | 16 A, 277 VAC |
| Wiring Terminals | Screw terminals for #24 to #10 AWG wire |
| Operating Temperature | -13°F - 131°F (-25°C - 55°C) |
| Warranty | 1-Year limited |

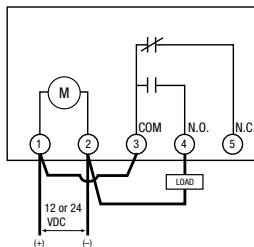
| Model # | Mounting | Input Voltage | Programs |
|-------------|-------------------|----------------------|----------|
| FM1D50A-24 | DIN Rail, Surface | 24 VAC/VDC, 50/60 Hz | 50 |
| FM1D50A-120 | DIN Rail, Surface | 120 VAC, 50/60 Hz | 50 |

WIRING DIAGRAMS

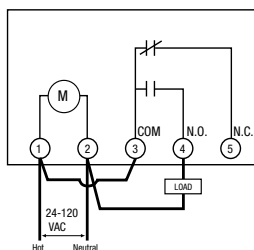
NO/NC Switching Configuration



Typical Wiring: 24 VDC Application

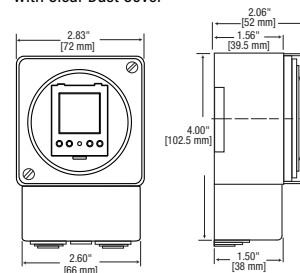


Typical Wiring: 24-120 VAC Application



DIMENSIONS

FM1D50A Surface/DIN Rail with Clear Dust Cover



FM2D50 Series

16 A, 2-CIRCUIT TIMER MODULES

The FM2D50 Series provides 2-circuit, time-based control of ventilation, heating, cooling, lighting or other electrical loads in commercial and industrial applications. These one-channel time switches are programmable for 24-hour or 7-day schedules. They are intended for surface, flush or DIN rail mounting. The control is completely enclosed in a plastic housing and includes a terminal cover, dust cover and subbase for installation and hard wiring.

APPLICATIONS

- Refrigeration Merchandiser • Air Movement & Ventilation • Aeration • Septic Treatment
- Generator Exercising

FEATURES

- 24-Hour or 7-day applications
- Auto Daylight Saving Time (DST) feature
- 2-Circuit independent programming
- 50 Set point programs
- Two preset adjustable block programs
- Easy-to-follow, menu-driven programming
- Seven available languages: English, German, French, Italian, Spanish, Portuguese and Dutch
- Surface, Flush or DIN rail mounting (for DIN rail mounting, order MB-DIN base, sold separately)
- Manual override with status indication
- Battery backup
- Large LCD
- Clear dust cover



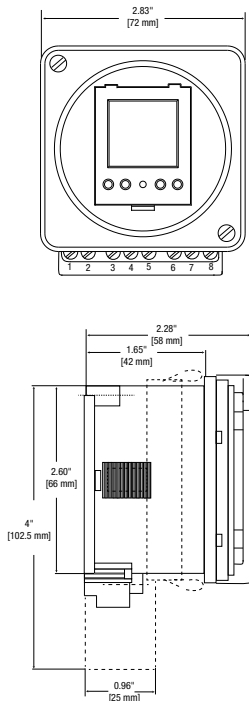
FM2D50-24

| Model # | Mounting | Input Voltage | Programs |
|------------|--------------------------|----------------------|----------|
| FM2D50-24 | DIN Rail, Flush, Surface | 24 VAC/VDC, 50/60 Hz | 50 |
| FM2D50-120 | DIN Rail, Flush, Surface | 120 VAC, 50/60 Hz | 50 |
| FM2D50-240 | DIN Rail, Flush, Surface | 240 VAC, 50/60 Hz | 50 |



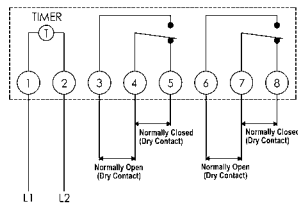
| RATINGS | |
|--------------------------------|---|
| Input Voltage | See Model Chart |
| Power Consumption VA | 4 |
| Switch Type | 2xSPDT |
| NO Contacts | |
| Ballast (Fluorescent) | 8 A, 240 VAC, 12 A, 120 VAC |
| Resistive (Heater) | 16 A, 277 VAC |
| Tungsten (Incandescent) | 600 W, 120 VAC, 1000 W, 240 VAC |
| Pilot Duty | 360 VA, 120 VAC, 720 VA, 240 VAC |
| Motor | 1/2 HP, 120 VAC, 1 HP, 240 VAC |
| NC Contacts | |
| Ballast (Fluorescent) | 8 A, 240 VAC, 12 A, 120 VAC |
| Resistive (Heater) | 16 A, 277 VAC |
| Wiring Terminals | Screw terminals for #24 to #10 AWG wire |
| Operating Temperature | -13°F - 131°F (-25°C - 55°C) |
| Warranty | 1-Year limited |

DIMENSIONS

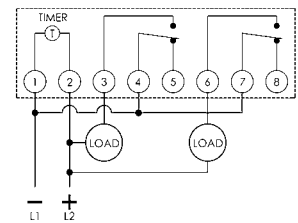


WIRING DIAGRAMS

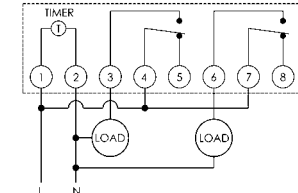
NO/NC Switching Configuration



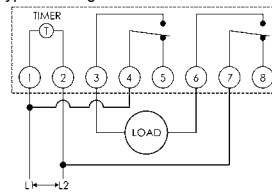
Typical Wiring: 24 VAC/VDC Application



Typical Wiring: 120 VAC



Typical Wiring: 240 VAC



Electronic Controls

Enclosed Timer Module - 24-Hour and/or 7-Day



GM40AVE-RD89

GM40AVE

40 A AUTO-VOLTAGE GENERAL PURPOSE ELECTRONIC TIME SWITCH

The GM40AVE is a universal, electronic time switch designed for general purpose residential and commercial applications. The robust 40 A time control automatically detects the input voltage without the use of a DIP switch or selector pins. The time switch automatically selects any voltage between 120 VAC and 277 VAC. The mechanism is mounted in a compact UL Type 3R outdoor enclosure and can also be easily retrofitted into other Intermatic enclosure types. The time control features a DPDT switching configuration standard (i.e. two normally open and two normally closed contacts).

APPLICATIONS

- Aeration, Air Movement & Ventilation • Generator Exercising
- Refrigeration Merchandiser • Septic Treatment

FEATURES

- Heavy-duty 40 A contact rating
- Automatically adjusts voltages between 120-277 VAC
- 24-Hour/7-day flexible scheduling
- Power and status LED indicators
- DPDT switching configuration (2 NO and 2 NC Contacts)
- 14 Set point programs
- Manual override with load status indication
- Self-recharging battery with back up protection up to 2500 hours
- Type 3R outdoor enclosure with lockable hasp
- To-the-minute accuracy

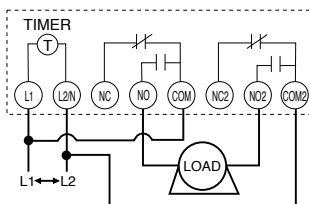


| RATINGS | |
|---------------------------------|--|
| Input Voltage | See Model Chart |
| Switch Type | DPDT |
| NO Contacts | |
| Electronic Ballast (LED) | 30 A, 120 VAC, 50/60 Hz; 20 A, 277 VAC, 50/60 Hz |
| Resistive (Heater) | 40 A, 120-277 VAC, 50/60 Hz |
| Tungsten (Incandescent) | 15 A, 120 VAC, 50/60 Hz |
| Motor | 1 HP, 16 FLA, 96 LRA @ 120 VAC, 50/60 Hz; 2 HP, 12 FLA, 52 LRA @ 208-277 VAC, 50/60 Hz |
| NC Contacts | |
| Electronic Ballast (LED) | 10 A, 277 VAC, 50/60 Hz |
| Resistive (Heater) | 30 A, 120-277 VAC, 50/60 Hz |
| Tungsten (Incandescent) | 2 A, 120 VAC, 50/60 Hz |
| Motor | 1 HP, 12 FLA, 30 LRA @ 120 VAC, 50/60 Hz; 2 HP, 10 FLA, 30 LRA @ 240 VAC, 50/60 Hz |
| Wiring Terminals | Screw box lug |
| Operating Temperature | -40°F - 131°F (-40°C - 55°C) |
| Warranty | 1-Year limited |

| Model # | Input Voltage | Battery Backup |
|---------------------|-----------------------|----------------|
| GM40AVE-RD89 | 120-277 VAC, 50/60 Hz | 2500 Hours |

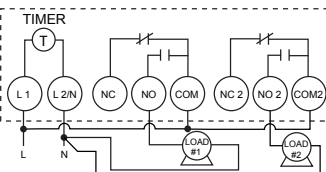
WIRING DIAGRAMS

Typical Wiring: 208/240 VAC



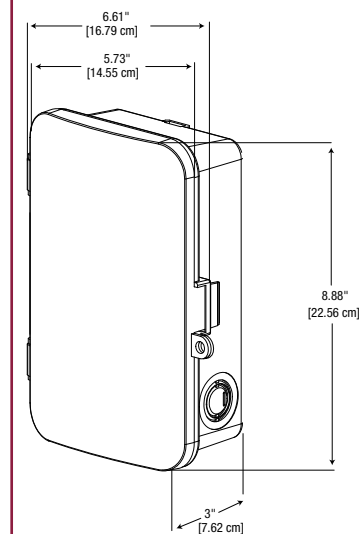
208/240 VAC

Typical Wiring: 120/277 VAC



120/277 VAC

DIMENSIONS



GMXFM Series

16 A GENERAL PURPOSE 1- CIRCUIT ELECTRONIC TIME CONTROLS

Universal GMXFM Electronic Series Time Controls are a low-cost alternative for applications that do not require more than 16 A. The timer is mounted in a UL Type 1 indoor enclosure.

APPLICATIONS

- Refrigeration Merchandiser • Air Movement & Ventilation • Aeration • Septic Treatment
- Generator Exercising

FEATURES

- 24-Hour or 7-day applications
- Finger-safe terminals
- Manual Daylight Saving Time adjustment (D20 Models)
- Manual override with load status indication
- Heavy-duty relay contacts for switching low or line voltage loads
- Non-metallic enclosure provides space for field added contactor or other accessories



GMXFM1D20-I-24

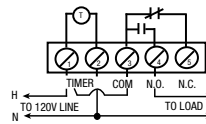
| Model # | Input Voltage | # of Circuits | Number of Set Points | Battery Backup | Enclosure |
|-----------------|----------------------|---------------|----------------------|----------------|-----------------------|
| GMXFM1D20-I-24 | 24 VAC/VDC, 50/60 Hz | 1 | 20 | 7 Years | Indoor type 1 plastic |
| GMXFM1D20-I-120 | 120 VAC, 50/60 Hz | 1 | 20 | 7 Years | Indoor type 1 plastic |



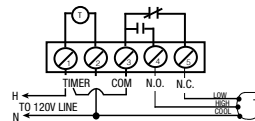
| RATINGS | |
|-------------------------|----------------------------------|
| Input Voltage | See Model Chart |
| Power Consumption VA | 4 |
| Switch Type | SPDT |
| NO Contacts | |
| Ballast (Fluorescent) | 12 A, 120 VAC, 8 A, 240 VAC |
| Resistive (Heater) | 16 A, 277 VAC |
| Tungsten (Incandescent) | 600 W, 120 VAC, 1000 W, 240 VAC |
| Pilot Duty | 360 VA, 120 VAC, 720 VA, 240 VAC |
| Motor | 1/2 HP, 120 VAC, 1 HP, 240 VAC |
| NC Contacts | |
| Resistive (Heater) | 16 A, 277 VAC, 8 A, 24 VDC |
| Pilot Duty | 360 VA, 120 VAC |
| Wiring Terminals | Screw box lug |
| Operating Temperature | -13°F - 131°F (-25°C - 55°C) |
| Warranty | 1-Year limited |

WIRING DIAGRAMS

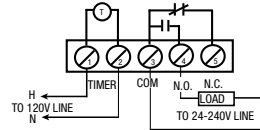
120 VAC Timer, 120 VAC Load



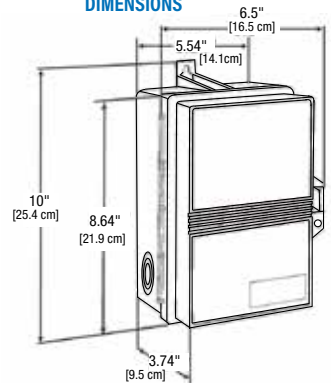
120 VAC Timer, 24 VAC, 120 VAC, or 240 VAC Load



120 VAC, Two Speed Fan



DIMENSIONS



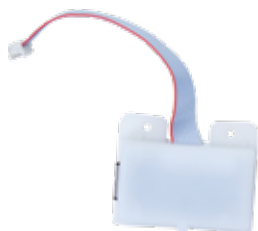
ACCESSORIES



ET9250



ET-NF



ET9232



ET9100

| Model # | Description |
|------------|--|
| 101--00040 | Battery Holder for ET100 |
| 124ET2574 | (SPDT) Insulator for ET Series controls (ET1115C, ET1115CR, ET1715C, ET1715CR, ET8115C and ET8115CR) |
| 124ET2581 | (SPST) Insulator for ET Series controls (ET1105C, ET1105CR, ET1705C, ET1705CR, ET8015C and ET8015CR) |
| 124ET2582 | (DPST) Insulator for ET Series controls (ET1125C, ET1125CR, ET1725C, ET1725CR, ET8215C and ET8215CR) |
| 178GR10K-1 | Additional Separate Sensor Accessory (for Multiple Evaporator Applications) |
| ET9100 | Replacement Door Assembly for ET90415-ET91615 |
| ET9232 | Ethernet Module for ET90000 Upgrade or Replacement |
| ET9250 | 4-Circuit Relay Board for Upgrade or Replacement of ET90415CR-ET91615CR Panels |
| ET-NF | RC Snubber Noise Filter 24-277VAC/DC for Electronic Controls |
| MS-101W | Commercial Grade Momentary Contact Decorator Switch, 120/277V, 15A, SPST, White |

ENCLOSURES



2T511GA



ET-2T2926A



2T308A

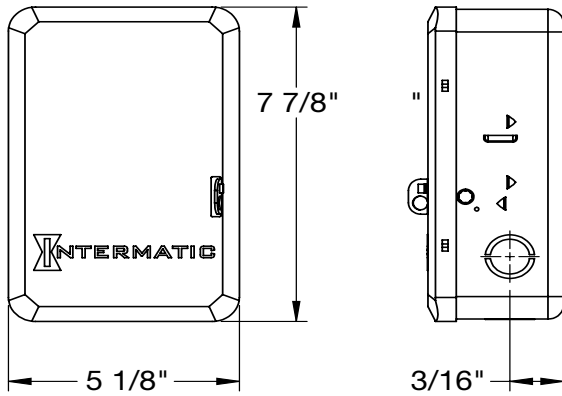


2T2500GA

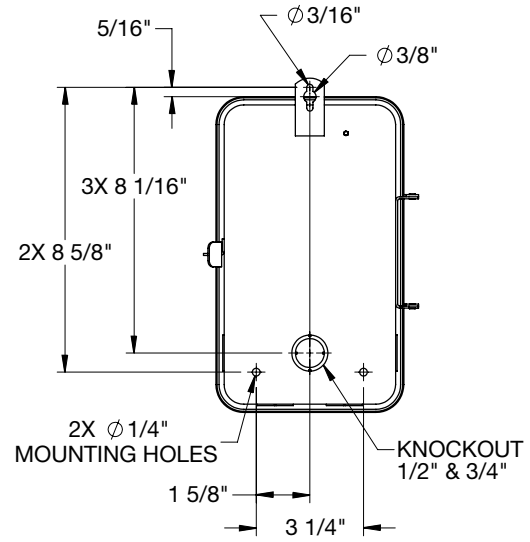
| Model # | Description |
|----------|---|
| 2T2040GA | Case-Indoor, Type 1 Metal, Gray |
| 2T2331GA | Case-Outdoor, Type 3R Metal, Gray |
| 2T2365GA | Case-Indoor, Type 1 Metal, Gray |
| 2T2500GA | Case-Outdoor, Type 3R Plastic, Gray |
| 2T2926A | Case-Outdoor, Type 3R Plastic, Gray with See-Through Window |
| 2T308A | Case-Indoor, Type 1 Metal, Gray |
| 2T511GA | Case-Outdoor, Type 3R Metal, Gray |

ENCLOSURE DIMENSIONS

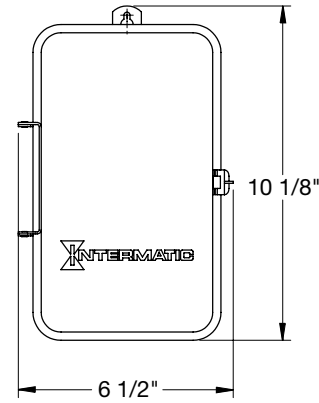
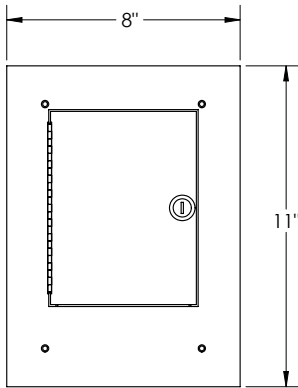
2T2040GA



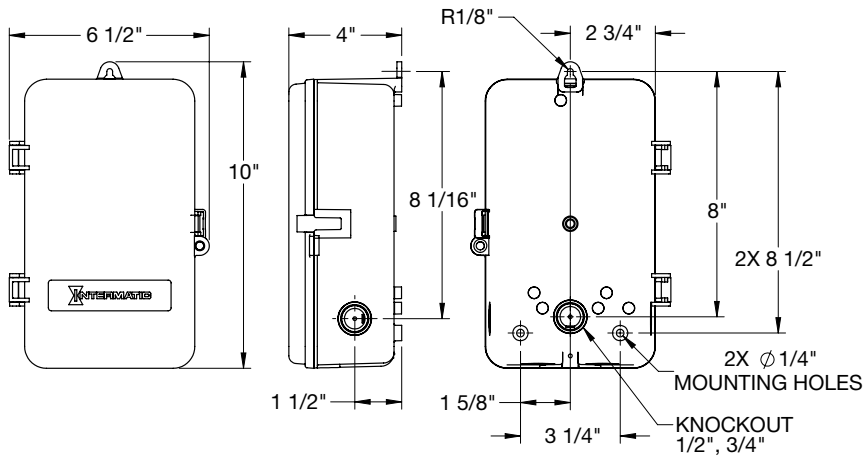
2T511GA / 2T2485GA



2T2365GA / 2T308A



2T2500GA/ 2T2502GA/ 2T2926A



WANT TO KNOW MORE?

Please see pages 186-190 for additional wiring diagram and information on enclosures.

Mechanical Time Switch Solutions

Manage the runtime of fans, lights, motors, heaters, and other energy-consuming loads with our industry-leading mechanical time switch solutions. The trusted "yellow dial" is available in a range of heavy-duty options and can be integrated in a variety of commercial and industrial applications.



Indoor and Outdoor Lighting Control

Create dynamic, energy-efficient lighting environments by installing simple mechanical time switches. Our versatile solutions allow for 24-hour and 7-day control, as well as skip periods and manual override control.

Ventilation Systems

Keep fans and ventilation systems running on schedule with durable mechanical time switches. These rugged controls make it easy to create basic ON/OFF schedules in a range of commercial and industrial applications.



Landscape Water Control

Simplify watering schedules and promote water conservation by installing a versatile mechanical time switch. These reliable solutions make it easy to set sprinkler run times over a 24-hour or 7-day period.

Pump, Machinery and Motor Controls

Manage pump and light motor control schedules, including pool and spa pumps, with our range of mechanical time switch solutions. Designed for simple installation and operation, these controls provide lasting value in a wide variety of applications.



Contents

| | |
|---|----|
| 24-Hour | 40 |
| 24-Hour with Skip-a-Day..... | 41 |
| 24-Hour with 15-Minute Interval..... | 42 |
| 24-Hour Heavy-Duty | 43 |
| 7-Day | 44 |
| Panel Mount, 24-Hour or 7-Day | 47 |
| Flush or Surface/DIN Rail Mount, 24-Hour..... | 48 |
| Flush or Surface/DIN Rail Mount, 7-Day..... | 49 |
| Electromechanical, 24-Hour or 7-Day | 50 |
| Enclosed Timer Module, 24-Hour or 7-Day..... | 51 |
| Accessories & Enclosures | 52 |

A Closer Look at the Control That Put Intermatic on the Map

There are few products on the market that contractors can realistically expect to perform for decades without issue. Versatile and ever-dependable, T100 Series Mechanical Time Switches by Intermatic fit into this category.



Mechanical Time Switches

24-Hour



T101R



T101M

T100 Series

24-HOUR

The T100 Series Mechanical Time Switch has proven it can stand the test of time. These dependable time switches can handle electrical loads up to 40 A per pole and allow for up to 12 ON/OFF operations per day. A manual override switch provides added convenience.

APPLICATIONS

- Timing/Scheduling ON/OFF - Indoor Lighting Control

FEATURES

- Direct 24-hour control of most loads
- Up to 12 ON/OFF operations each day with minimum ON/OFF times of one hour
- Manual override
- One ON and one OFF tripper included
- Can be installed in most Intermatic enclosures

| Model # | Switch Type | Input Voltage | Electronic Ballast | Inductive | Restive (Heater) | Tungsten (Incandescent) | Pilot Duty |
|---|-----------------|--------------------|--------------------|--------------------------|--------------------------|--------------------------|-----------------------------|
| Indoor type 1 metal | | | | | | | |
| T101 | SPST | 120 VAC, 60 Hz | 16 A, 120 VAC | 40 A, 120-240 VAC, 60 Hz | 40 A, 120-240 VAC, 60 Hz | 40 A, 120-240 VAC, 60 Hz | 1000 VA, 120-240 VAC, 60 Hz |
| T102 | SPST | 208-277 VAC, 60 Hz | 16 A, 208-277 VAC | 40 A, 120-277 VAC, 60 Hz | 40 A, 120-277 VAC, 60 Hz | 40 A, 120-277 VAC, 60 Hz | 1000 VA, 120-277 VAC, 60 Hz |
| T103 | DPST | 120 VAC, 60 Hz | 16 A, 120-277 VAC | 40 A, 120-240 VAC, 60 Hz | 40 A, 120-240 VAC, 60 Hz | 40 A, 120-240 VAC, 60 Hz | 1000 VA, 120-240 VAC, 60 Hz |
| T104 | DPST | 208-277 VAC, 60 Hz | 16 A, 120-277 VAC | 40 A, 120-277 VAC, 60 Hz | 40 A, 120-480 VAC, 60 Hz | 40 A, 120-277 VAC, 60 Hz | 1000 VA, 120-277 VAC, 60 Hz |
| T104-50 | DPST | 208-277 VAC, 50 Hz | 16 A, 120-277 VAC | 40 A, 120-277 VAC, 50 Hz | 40 A, 120-480 VAC, 50Hz | 40 A, 120-277 VAC, 50 Hz | 1000 VA, 120-277 VAC, 50 Hz |
| T105 | 1 NO/1 NC, SPDT | 120 VAC, 60 Hz | 16 A, 120 VAC | 40 A, 120-240 VAC, 60 Hz | 40 A, 120-240 VAC, 60 Hz | 40 A, 120-240 VAC, 60 Hz | 1000 VA, 120-240 VAC, 60 Hz |
| T101B | SPST | 120 VAC, 60 Hz | 16 A, 120 VAC | 40 A, 120-277 VAC, 60 Hz | 40 A, 120-480 VAC, 60 Hz | 40 A, 120-277 VAC, 60 Hz | 1000 VA, 120-277 VAC, 60 Hz |
| Indoor/outdoor type 3R plastic | | | | | | | |
| T101P | SPST | 120 VAC, 60 Hz | 16 A, 120 VAC | 40 A, 120-240 VAC, 60 Hz | 40 A, 120-240 VAC, 60 Hz | 40 A, 120-240 VAC, 60 Hz | 1000 VA, 120-240 VAC, 60 Hz |
| T102P | SPST | 208-277 VAC, 60 Hz | 16 A, 208-277 VAC | 40 A, 120-277 VAC, 60 Hz | 40 A, 120-277 VAC, 60 Hz | 40 A, 120-277 VAC, 60 Hz | 1000 VA, 120-277 VAC, 60 Hz |
| T103P | DPST | 120 VAC, 60 Hz | 16 A, 120-277 VAC | 40 A, 120-240 VAC, 60 Hz | 40 A, 120-240 VAC, 60 Hz | 40 A, 120-240 VAC, 60 Hz | 1000 VA, 120-240 VAC, 60 Hz |
| T104P | DPST | 208-277 VAC, 60 Hz | 16 A, 120-277 VAC | 40 A, 120-277 VAC, 60 Hz | 40 A, 120-480 VAC, 60 Hz | 40 A, 120-277 VAC, 60 Hz | 1000 VA, 120-277 VAC, 60 Hz |
| Indoor/outdoor type 3R plastic with see-through door | | | | | | | |
| T101PCD82 | SPST | 120 VAC, 60 Hz | 16 A, 120 VAC | 40 A, 120-240 VAC, 60 Hz | 40 A, 120-240 VAC, 60 Hz | 40 A, 120-240 VAC, 60 Hz | 1000 VA, 120-240 VAC, 60 Hz |
| T103PCD82 | DPST | 120 VAC, 60 Hz | 16 A, 120-277 VAC | 40 A, 120-240 VAC, 60 Hz | 40 A, 120-240 VAC, 60 Hz | 40 A, 120-240 VAC, 60 Hz | 1000 VA, 120-240 VAC, 60 Hz |
| T104PCD82 | DPST | 208-277 VAC, 60 Hz | 16 A, 120-277 VAC | 40 A, 120-277 VAC, 60 Hz | 40 A, 120-480 VAC, 60 Hz | 40 A, 120-277 VAC, 60 Hz | 1000 VA, 120-277 VAC, 60 Hz |
| Indoor/outdoor type 3R metal | | | | | | | |
| T101R | SPST | 120 VAC, 60 Hz | 16 A, 120 VAC | 40 A, 120-240 VAC, 60 Hz | 40 A, 120-240 VAC, 60 Hz | 40 A, 120-240 VAC, 60 Hz | 1000 VA, 120-240 VAC, 60 Hz |
| T102R | SPST | 208-277 VAC, 60 Hz | 16 A, 208-277 VAC | 40 A, 120-277 VAC, 60 Hz | 40 A, 120-277 VAC, 60 Hz | 40 A, 120-277 VAC, 60 Hz | 1000 VA, 120-277 VAC, 60 Hz |
| T103R | DPST | 120 VAC, 60 Hz | 16 A, 120-277 VAC | 40 A, 120-240 VAC, 60 Hz | 40 A, 120-240 VAC, 60 Hz | 40 A, 120-240 VAC, 60 Hz | 1000 VA, 120-240 VAC, 60 Hz |
| T104R | DPST | 208-277 VAC, 60 Hz | 16 A, 120-277 VAC | 40 A, 120-277 VAC, 60 Hz | 40 A, 120-480 VAC, 60 Hz | 40 A, 120-277 VAC, 60 Hz | 1000 VA, 120-277 VAC, 60 Hz |
| T106R | 1 NO/1 NC, SPDT | 208-277 VAC, 60 Hz | 16 A, 208-277 VAC | 40 A, 120-240 VAC, 60 Hz | 40 A, 120-240 VAC, 60 Hz | 40 A, 120-240 VAC, 60 Hz | 1000 VA, 120-240 VAC, 60 Hz |
| T1205R | DPST | 480 VAC, 60 Hz | 16 A, 277 VAC | 40 A, 120-277 VAC, 60 Hz | 40 A, 120-480 VAC, 60 Hz | 40 A, 120-277 VAC, 60 Hz | 1000 VA, 120-277 VAC, 60 Hz |
| N/A - Mechanism only | | | | | | | |
| T101M | SPST | 120 VAC, 60 Hz | 16 A, 120 VAC | 40 A, 120-240 VAC, 60 Hz | 40 A, 120-240 VAC, 60 Hz | 40 A, 120-240 VAC, 60 Hz | 1000 VA, 120-240 VAC, 60 Hz |
| T103M | DPST | 120 VAC, 60 Hz | 16 A, 120-277 VAC | 40 A, 120-240 VAC, 60 Hz | 40 A, 120-240 VAC, 60 Hz | 40 A, 120-240 VAC, 60 Hz | 1000 VA, 120-240 VAC, 60 Hz |
| T106M | 1 NO/1 NC, SPDT | 208-277 VAC, 60 Hz | 16 A, 208-277 VAC | 40 A, 120-240 VAC, 60 Hz | 40 A, 120-240 VAC, 60 Hz | 40 A, 120-240 VAC, 60 Hz | 1000 VA, 120-240 VAC, 60 Hz |



| Ratings | |
|-----------------------|--|
| Max Power Consumption | 3 W |
| Motor | 2 HP, 24 FLA @ 120 VAC, 60 Hz, 5 HP, 28 FLA @ 240 VAC, 60 Hz |
| Operating Temperature | -40°F - 130°F (-40°C - 54°C) |

| | |
|-----------|----------------|
| Wire Size | #8 AWG |
| Warranty | 1-Year limited |

For enclosure options and dimensions, see pages 186-190
For accessories and replacement parts, see pages 52-53

T170, T1400, and T1800 Series

24-HOUR WITH SKIP-A-DAY

Similar to the T100 Series, these time switches can also handle electrical loads up to 40 A per pole. The T170 Series Time Switches allow for up to 10 ON/OFF settings per day, but give you the additional capability of skipping days in which the loads may not be needed. Each time switch will come with one set of ON/OFF trippers as well as three skipper screws to omit the schedule for at least three days.

APPLICATIONS

• Indoor Lighting Control • Outdoor Lighting Control • Timing/Scheduling ON/OFF

FEATURES

- Controls loads up to 40 A per pole
- Direct 24-hour control of most loads
- Up to 10 ON/OFF operations each day
- Minimum ON/OFF times of one hour
- Manual override
- One ON and one OFF tripper and three day-skipper screws included



T171CR

| Model # | Switch Type | Input Voltage | Electronic Ballast | Inductive | Resistive (Heater) | Tungsten (Incandescent) | Pilot Duty |
|------------------------------|-------------|--------------------|----------------------|--------------------------|--------------------------|--------------------------|-----------------------------|
| Indoor type 1 metal | | | | | | | |
| T171 | SPST | 120 VAC, 60 Hz | 16 A, 277 VAC, 60 Hz | 40 A, 120-240 VAC, 60 Hz | 40 A, 120-240 VAC, 60 Hz | 40 A, 120-240 VAC, 60 Hz | 1000 VA, 120-240 VAC, 60 Hz |
| T172 | SPST | 208-277 VAC, 60 Hz | 16 A, 277 VAC, 60 Hz | 40 A, 120-277 VAC, 60 Hz | 40 A, 120-277 VAC, 60 Hz | 40 A, 120-277 VAC, 60 Hz | 1000 VA, 120-277 VAC, 60 Hz |
| T173 | DPST | 120 VAC, 60 Hz | 16 A, 277 VAC, 60 Hz | 40 A, 120-277 VAC, 60 Hz | 40 A, 120-277 VAC, 60 Hz | 40 A, 120-277 VAC, 60 Hz | 1000 VA, 120-277 VAC, 60 Hz |
| T174 | DPST | 208-277 VAC, 60 Hz | 16 A, 277 VAC, 60 Hz | 40 A, 120-277 VAC, 60 Hz | 40 A, 120-480 VAC, 60 Hz | 40 A, 120-277 VAC, 60 Hz | 1000 VA, 120-277 VAC, 60 Hz |
| T175** | 1 NO/1 NC | 120 VAC, 60 Hz | 16 A, 277 VAC, 60 Hz | 40 A, 120-277 VAC, 60 Hz | 40 A, 120-277 VAC, 60 Hz | 40 A, 120-277 VAC, 60 Hz | 1000 VA, 120-277 VAC, 60 Hz |
| T176** | 1 NO/1 NC | 208-277 VAC, 60 Hz | 16 A, 277 VAC, 60 Hz | 40 A, 120-277 VAC, 60 Hz | 40 A, 120-277 VAC, 60 Hz | 40 A, 120-277 VAC, 60 Hz | 1000 VA, 120-277 VAC, 60 Hz |
| Outdoor type 3R metal | | | | | | | |
| T171CR | SPST | 120 VAC, 60 Hz | 16 A, 277 VAC, 60 Hz | 40 A, 120-240 VAC, 60 Hz | 40 A, 120-240 VAC, 60 Hz | 40 A, 120-240 VAC, 60 Hz | 1000 VA, 120-240 VAC, 60 Hz |
| T173R | DPST | 120 VAC, 60 Hz | 16 A, 277 VAC, 60 Hz | 40 A, 120-277 VAC, 60 Hz | 40 A, 120-277 VAC, 60 Hz | 40 A, 120-277 VAC, 60 Hz | 1000 VA, 120-277 VAC, 60 Hz |
| T173CR | DPST | 120 VAC, 60 Hz | 16 A, 277 VAC, 60 Hz | 40 A, 120-277 VAC, 60 Hz | 40 A, 120-277 VAC, 60 Hz | 40 A, 120-277 VAC, 60 Hz | 1000 VA, 120-277 VAC, 60 Hz |
| T174R | DPST | 208-277 VAC, 60 Hz | 16 A, 277 VAC, 60 Hz | 40 A, 120-277 VAC, 60 Hz | 40 A, 120-480 VAC, 60 Hz | 40 A, 120-277 VAC, 60 Hz | 1000 VA, 120-277 VAC, 60 Hz |
| T1471BR* | 4-PST | 120 VAC, 60 Hz | 16 A, 277 VAC, 60 Hz | 40 A, 120-277 VAC, 60 Hz | 40 A, 120-480 VAC, 60 Hz | 40 A, 120-277 VAC, 60 Hz | 1000 VA, 120-277 VAC, 60 Hz |
| T1471BCR* | 4-PST | 120 VAC, 60 Hz | 16 A, 277 VAC, 60 Hz | 40 A, 120-277 VAC, 60 Hz | 40 A, 120-480 VAC, 60 Hz | 40 A, 120-277 VAC, 60 Hz | 1000 VA, 120-277 VAC, 60 Hz |
| T1472BR* | 4-PST | 208-277 VAC, 60 Hz | 16 A, 277 VAC, 60 Hz | 40 A, 120-277 VAC, 60 Hz | 40 A, 120-480 VAC, 60 Hz | 40 A, 120-277 VAC, 60 Hz | 1000 VA, 120-277 VAC, 60 Hz |
| T1475BR* | 4-PST | 480 VAC, 60 Hz | 16 A, 277 VAC, 60 Hz | 40 A, 120-277 VAC, 60 Hz | 40 A, 120-480 VAC, 60 Hz | 40 A, 120-277 VAC, 60 Hz | 1000 VA, 120-277 VAC, 60 Hz |
| T1871BR† | 2 NO/2 NC | 120 VAC, 60 Hz | 16 A, 277 VAC, 60 Hz | 40 A, 120-277 VAC, 60 Hz | 40 A, 120-480 VAC, 60 Hz | 40 A, 120-277 VAC, 60 Hz | 1000 VA, 120-277 VAC, 60 Hz |

T171CR, T173CR, T174CR, T1471BCR are models with Carry-Over

*Separate clock motor terminals for switching circuits not on line voltage.

**Can be wired as SPDT.

† Can be wired as DPDT.



| Ratings | |
|--------------------------------|---|
| Max Power Consumption | 3 W |
| Motor T170 Series | 2 HP, 24 FLA @ 120 VAC, 60 Hz, 5 HP, 28 FLA @ 240 VAC, 60 Hz |
| Motor T1400 & T1800 Series | |
| Single Phase | 2 HP, 24 FLA @ 120 VAC, 60 Hz; 5 HP, 28 FLA @ 240 VAC, 60 Hz |
| Three Phase | 7 1/2 HP, 28 FLA @ 208 VAC, 60 Hz; 10 HP, 28 FLA @ 240 VAC, 60 Hz |
| Wire Size | #8 AWG |
| Enclosure Dimensions H x W x D | |
| Metal Indoor | 7.875" x 5.125" x 3.4375" (200 mm x 130.2 mm x 87.3 mm) |
| Metal Outdoor | 10.125" x 6.5" x 3.625" (257.2 mm x 165.1 mm x 92.1 mm) |
| Operating Temperature | -40°F - 130°F (-40°C - 54°C) |

For enclosure options and dimensions, see pages 186-190

For accessories and replacement parts, see pages 52-53

Mechanical Time Switches

24-Hour with 15-Minute Interval



T1905P

T1900 Series & T1970 Series

24-HOUR WITH 15-MINUTE INTERVAL

This series of mechanical time switches offers more flexible scheduling capabilities by offering 15-minute intervals. These units also come with trippers that slide in or out easily for fast and accurate settings. All units can control up to 20 A of electrical load and have a single pole, double throw switch.

APPLICATIONS

- Timing/Scheduling ON/OFF • Indoor Lighting Control

FEATURES

- Provides up to 96 operations (48 ON/48 OFF) every 24 hours
- Models with skipper wheel allow for operations to be omitted on selected days of the week
- 15-minute intervals
- Captive trippers slide in and out of dial for fast, accurate setting



| Ratings | |
|---|--|
| Resistive (Heater): | 20 A, 125-480 VAC, 60 Hz |
| Motor | 1/2 HP, 125 VAC, 60 Hz, 1 HP, 250 VAC, 60 Hz |
| Max Power Consumption | 3 W |
| Wire Size | #12 AWG |
| Enclosure Dimensions H x W x D | |
| Metal Indoor | 7.875" x 5.125" x 3.4375" (200 mm x 130.2 mm x 87.3 mm) |
| Metal Outdoor | 10.125" x 6.5" x 3.625" (257.2 mm x 165.1 mm x 92.1 mm) |
| Plastic Indoor/Outdoor | 10" x 6.5" x 4" (254 mm x 165.1 mm x 101.6 mm) |
| Warranty | 1-Year limited |
| Operating Temperature | -40°F - 130°F (-40°C - 54°C) |

For enclosure options and dimensions, see pages 186-190

For accessories and replacement parts, see pages 52-53

| Model # | Switch Type | Input Voltage | Skipper Wheel |
|---------------------------------------|-------------|--------------------|---------------|
| Indoor type 1 metal | | | |
| T1905 | SPDT | 125 VAC, 60 Hz | Not Included |
| T1905E | SPDT | 480 VAC, 60 Hz | Not Included |
| T1906 | SPDT | 208-277 VAC, 60 Hz | Not Included |
| T1975 | SPDT | 125 VAC, 60 Hz | 24 Hour |
| T1975E | SPDT | 480 VAC, 60 Hz | 24 Hour |
| T1976 | SPDT | 208-277 VAC, 60 Hz | 24 Hour |
| Outdoor type 3R metal | | | |
| T1975ER | SPDT | 480 VAC, 60 Hz | 24 Hour |
| T1975R | SPDT | 125 VAC, 60 Hz | 24 Hour |
| T1976R | SPDT | 208-277 VAC, 60 Hz | 24 Hour |
| Indoor/outdoor type 3R plastic | | | |
| T1905P | SPDT | 125 VAC, 60 Hz | Not Included |

T1905HD & T1975HD

24-HOUR HEAVY-DUTY

These heavy-duty time switches are designed to handle the toughest environments and have fully encapsulated motors to prevent dust or debris from entering the motor. The ON/OFF trippers are permanently attached to the metal dial to avoid the accidental loss of a tripper. These time switches offer 15-minute intervals, providing up to 96 operations each day.

APPLICATIONS

- Timing/Scheduling ON/OFF • Indoor Lighting Control

FEATURES

- Heavy-duty metal dial and metal enclosure withstands the most punishing environmental conditions
- Models with skipper wheel allow for operations to be omitted on selected days of the week
- Easy-to-set trippers rotate in/out for fast, accurate setting
- Up to 96 operations (48 ON/48 OFF) every 24 hours
- 15-minute intervals between events
- Fully encapsulated motor with protected gears

| Model # | Switch Type | Input Voltage | Skipper Wheel |
|------------------------------|-------------|----------------|---------------|
| Indoor type 1 metal | | | |
| T1905HD | SPDT | 125 VAC, 60 Hz | Not Included |
| T1975EHD | SPDT | 480 VAC, 60 Hz | 24 Hour |
| Outdoor type 3R metal | | | |
| T1905HDR | SPDT | 125 VAC, 60 Hz | Not Included |
| T1975HDR | SPDT | 125 VAC, 60 Hz | 24 Hour |
| T1975EHDR | SPDT | 480 VAC, 60 Hz | 24 Hour |
| N/A - Mechanism only | | | |
| T1905HDM | SPDT | 125 VAC, 60 Hz | Not Included |



T1905HD



| Ratings | |
|---|--|
| Resistive (Heater): | 20 A, 125-480 VAC, 60 Hz |
| Motor | 1/2 HP, 125 VAC, 60 Hz, 1 HP, 250 VAC, 60 Hz |
| Max Power Consumption | 3 W |
| Wire Size | #12 AWG |
| Enclosure Dimensions H x W x D | |
| Metal Indoor | 7.875" x 5.125" x 3.4375" (200 mm x 130.2 mm x 87.3 mm) |
| Metal Outdoor | 10.125" x 6.5" x 3.625" (257.2 mm x 165.1 mm x 92.1 mm) |
| Warranty | 1-Year limited |
| Operating Temperature | -40°F - 130°F (-40°C - 54°C) |

For enclosure options and dimensions, see pages 186-190
For accessories and replacement parts, see pages 52-53

KEEP THE PIPELINE ON-TIME



Choose the T1905HD or T1975HD Heavy-Duty Timer for seamless ON/OFF control in oil field time switch applications. The rugged and versatile controls offer unique features, including higher input voltage ratings and an encapsulated motor, which help them perform in harsh outdoor conditions.

Mechanical Time Switches

7-Day



T7401B



| Ratings | |
|--------------------------------|---|
| Electronic Ballast (LED) | 16 A, 277 VAC, 60 Hz |
| Tungsten (Incandescent) | 40 A, 120-277 VAC, 60 Hz |
| Resistive (Heater) | 40 A, 120-480 VAC, 60 Hz |
| Inductive | 40 A, 120-277 VAC, 60 Hz |
| Pilot Duty | 1000 VA, 120-277 VAC, Per Pole, 60 Hz |
| Motor | |
| Single-Phase | 2 HP, 24 FLA @ 120 VAC, 60 Hz; 5 HP, 28 FLA @ 240 VAC, 60 Hz |
| Three-Phase | 7 1/2 HP, 28 FLA @ 208 VAC, 60 Hz; 10 HP, 28 FLA @ 240 VAC, 60 Hz |
| Wire Size | #8 AWG |
| Enclosure Dimensions H x W x D | |
| Indoor Metal | 13.125" x 9" x 3.75" (333.3 mm x 228.9 mm x 95.25 mm) |
| Warranty | 1-Year limited |
| Operating Temperature | -40°F - 130°F (-40°C - 54°C) |

For enclosure options and dimensions, see pages 186-190

For accessories and replacement parts, see pages 52-53

T7000B Series

7-DAY

These 7-Day Mechanical Time Switches offer the capability of having a different schedule for each day of the week. They can handle up to 40 A of electrical loads per circuit and have separate terminals for powering the clock motor. These time switches can handle up to four loads per clock, providing a single control for easier installation. Each time switch comes with 7 ON and 7 OFF trippers, allowing for at least one ON/OFF operation each day.

APPLICATIONS

- Indoor Lighting Control • Timing/Scheduling ON/OFF

FEATURES

- Different ON/OFF programs each day of the week
- True 7-day load control with minimum ON/OFF time of 3 1/2 hours
- Separate clock motor terminals for switching loads not on line voltage
- Carry-over automatically rewinds when power resumes
- Minimum of 16-hour carry-over for maintaining preset schedules during power failures
- Available with Type 3R rated outdoor metal enclosure or Type 1 rated indoor metal in gray finish with separate grounding terminal

| Model # | Switch Type | Input Voltage |
|----------------------------|-------------|--------------------|
| Indoor type 1 metal | | |
| T7401B | 4-PST/NO | 120 VAC, 60 Hz |
| T7402B | 4-PST/NO | 208-277 VAC, 60 Hz |
| T7801B* | 2 NO/2 NC | 120 VAC, 60 Hz |
| T7802B* | 2 NO/2 NC | 208-277 VAC, 60 Hz |
| Indoor type 1 metal | | |
| T7401BC | 4-PST/NO | 120 VAC, 60 Hz |
| T7402BC | 4-PST/NO | 208-277 VAC, 60 Hz |
| T7801BC* | 2 NO/2 NC | 120 VAC, 60 Hz |

*Can be wired as (2) DPDT.

Note: All models have separate clock motor terminals for switching circuits not on line voltage. They may be used with 24 V systems if wired in accordance with NEC regulations.

T2000 Series

7-DAY

These compact 7-Day Mechanical Time Switches offer the capability of having a different schedule for each day of the week. They can handle up to 20 A of resistive loads and up to six ON/OFF settings per day.

APPLICATIONS

- Timing/Scheduling ON/OFF • Indoor Lighting Control

FEATURES

- Minimum 2-hour timing intervals
- Up to 42 ON/OFF operations per week
- Type 1 rated metal indoor enclosure



T2005

| Model | Switch Type | Input Voltage |
|----------------------------|-------------|--------------------|
| Indoor type 1 metal | | |
| T2005 | SPDT | 120 VAC, 60 Hz |
| T2006 | SPDT | 208-277 VAC, 60 Hz |



| Ratings | |
|---------------------------------------|--|
| Resistive (Heater) | 20 A, 125, 208-277 VAC, 60 Hz |
| Motor | 1/2 HP, 125 VAC, 60 Hz, 1 HP, 250 VAC, 60 Hz |
| Wire Size | #12 AWG |
| Enclosure Dimensions H x W x D | 7.875" x 5.125" x 3.4375" (200 mm x 130.2 mm x 87.3 mm) |
| Warranty | 1-Year limited |
| Operating Temperature | -40°F - 130°F (-40°C - 54°C) |

For enclosure options and dimensions, see pages 186-190

For accessories and replacement parts, see pages 52-53

Mechanical Time Switches

Panel Mount, 24-Hour or 7-Day



THE 121 161

THE 121 161

1H,120V,MECH SRFC/DIN MNT

THE 121 161 is a DIN rail time switch from Intermatic that allows hourly switching cycle commands. Setting time is easy by grasping and rotating the clock dial. Time and switching times can be checked at a glance, resulting in versatile application possibilities, such as motor cycling, generator exercising, or any other applications requiring hourly cycling activities.

APPLICATIONS

- Greenhouse Misting • Aeration • Air Movement & Ventilation • Water Circulation
- Pool Pump

FEATURES

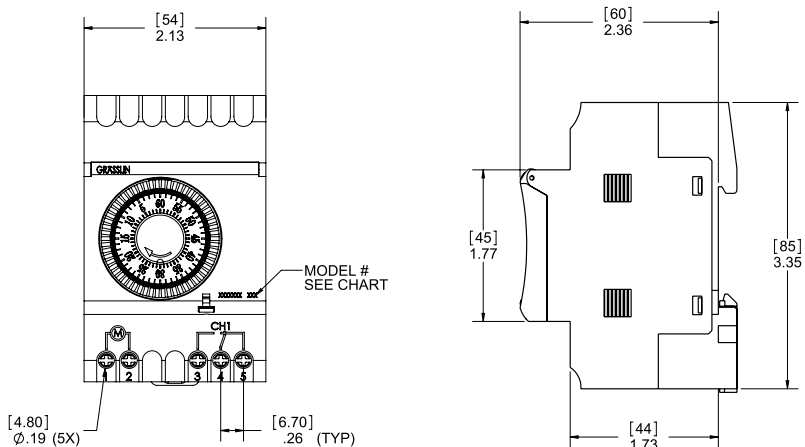
- 1.25 minute resolution
- Up to 24 ON/OFF times per hour
- Captive tripper levers
- SPDT 16 A switch
- DIN rail or enclosure mounting
- On-AUTO-OFF Override switch
- Synchronous drive



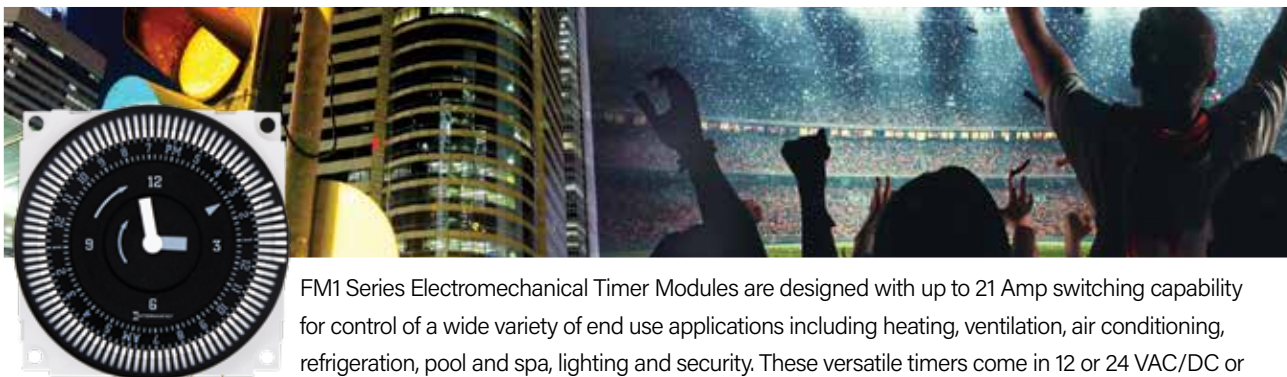
| Ratings | |
|--------------------|---|
| Switch Type | SPDT, Isolated Contacts |
| Resistive | 16 A, 250 VAC |
| Tungsten | 750 W, 250 VAC |
| Wiring Connections | Screw terminal accepts up to #12 AWG wire |
| Operating Humidity | 0-95% RH, Non-condensing |
| Warranty | 1-Year limited |

| Model # | Input Voltage | Mounting | Total Cycle Time | Timing Interval per Tripper |
|-------------|----------------|----------|------------------|-----------------------------|
| THE 121 161 | 120 VAC, 60 Hz | DIN Rail | 1 hr | 1.25 min |

DIMENSIONS



FM1 SERIES



FM1 Series Electromechanical Timer Modules are designed with up to 21 Amp switching capability for control of a wide variety of end use applications including heating, ventilation, air conditioning, refrigeration, pool and spa, lighting and security. These versatile timers come in 12 or 24 VAC/DC or 120 and 208/240 VAC 50/60 Hz. They are available with 24-hour or 7-day scheduling.

FM1 Series

21 A, 1-CIRCUIT, PANEL MOUNT TIMER MODULES

The FM1 series timer modules are designed to be integrated inside of a machine control panel, circuit board, or other equipment. They are a simple and low cost alternative for applications that do not require more than 21 A or 2 HP, 240 VAC. The FM1 is designed for 24-hour or 7-day control or overriding a functional typical state of a heating, ventilation, refrigeration, lighting, security, or pump system. The FM1 series is ideal for 12, 24 VAC/VDC, 120 or 208/240VAC single-phase general applications.

APPLICATIONS

- Refrigeration Merchandiser • Air Movement & Ventilation • Aeration • Septic Treatment
- Generator Exercising

FEATURES

- 21 A SPDT Switch
- Captive trippers with 15-minute intervals on 24-hour models and 2-hour intervals on 7-day models
- 72-hour carry-over battery backup on Q models
- Noise immune – ideal for robust applications
- Synchronous drive or quartz drive Q models with self-recharging battery backup
- True clock face, easy-to-set
- Available with or without override
- Compact size
- Clear plastic cover (DC-FME-A), sold separately
- Standalone or with indoor/outdoor enclosure, sold separately



FM1QTUZ-24U

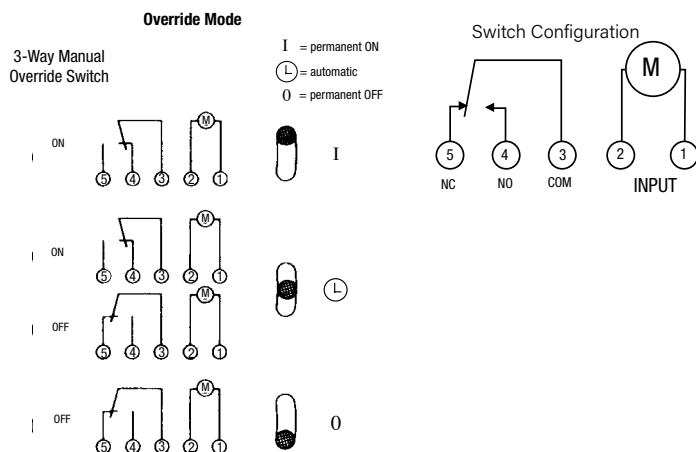


| Model # | Model # | Input Voltage | Override | Min On/Off Time |
|---------------|----------------|-----------------------|----------|-----------------|
| Synchronous | Quartz | | | |
| 24 hrs | | | | |
| FM1STUZ-24U | FM1QTUZ-24U* | 24 VAC, 60 Hz | No | 15 min |
| FM1STUZ-120U | FM1QTUZ-120U* | 120 VAC, 60 Hz | No | |
| FM1STUZ-240U | - | 208/240 VAC, 60 Hz | No | |
| FM1STUZH-24U | FM1QTUZH-24U* | 24 VAC, 60 Hz | Yes | 15 min |
| FM1STUZH-120U | FM1QTUZH-120U* | 120 VAC, 60 Hz | Yes | |
| FM1STUZH-240U | - | 208/240 VAC, 60 Hz | Yes | |
| 7 days | | | | |
| - | FM1QWUZ-240U* | 208/240 VAC, 50/60 Hz | No | 2 hrs |
| FM1SWUZ-120U | FM1QWUZH-120U* | 120 VAC, 60 Hz | Yes | 2 hrs |

*Quartz models operate at 12-24 VAC/VDC, 120, or 208/240 VAC and are Title 20 listed.

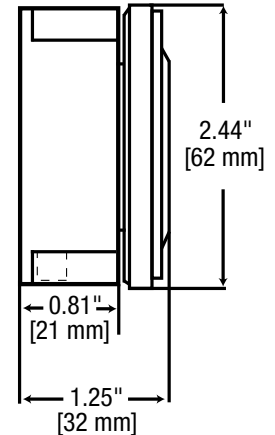
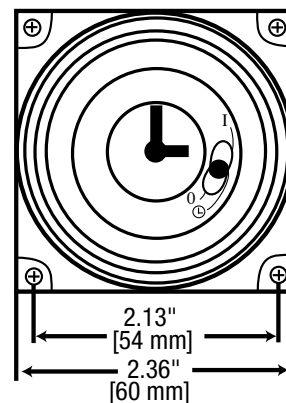
| Ratings | |
|-------------------------|--|
| Tungsten (Incandescent) | 1350 W, 120 VAC |
| Resistive (Heater) | 21 A, 250 VAC |
| Power Consumption | 1 Va |
| Switch Type | SPDT |
| Motor | 1 HP, 120 VAC; 2 HP, 250 VAC |
| Battery Backup Option | 72-hour Carry-over, Battery, Self-recharging "Q" Models Only |
| Wiring Connections | 1/4" Quick connect terminals |
| Warranty | 1-Year limited |
| Operating Temperature | -40°F - 185°F (-40°C - 85°C) |

WIRING DIAGRAMS



DIMENSIONS

FM1 Panel Mount Series



Mechanical Time Switches

Flush or Surface/DIN Rail Mount, 24-Hour



MIL72ESTUZ-120



MIL72ASTUZ-120

MIL72 Series, 24-Hour

21 A, 1-CIRCUIT, 24-HOUR TIMER MODULES

The MIL72 series time switches are designed to be mounted inside a control panel and can accommodate surface/DIN rail or flush panel mounting. The MIL72 series is a light duty commercial time switch for 12-24 VAC/VDC, 120 or 208/240 VAC single-phase applications.

APPLICATIONS

- Refrigeration Merchandiser • Air Movement & Ventilation • Aeration
- Septic Treatment -- Generator Exercising

FEATURES

- 21 A SPDT switch
- Synchronous drive or quartz drive (Q Models) with self-recharging battery backup
- 72-hour carry-over battery backup on Q models
- Captive trippers with 15-minute intervals
- Available with or without override
- True clock face, easy-to-set
- Surface/DIN rail or flush mount
- Clear plastic dust cover
- Compact size



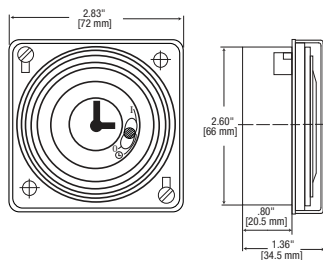
| Ratings | |
|-------------------------|--|
| Tungsten (Incandescent) | 1350 W, 120 VAC |
| Resistive (Heater) | 21 A, 250 VAC |
| Power Consumption | |
| 24 VAC | 0.1 Va |
| 120 VAC | 0.5 Va |
| 208/240 | 1 Va |
| Switch Type | SPDT |
| Motor | 1 HP, 120 VAC; 2 HP, 250 VAC |
| Battery Backup Option | 72-hour Carry-over, Battery, Self-recharging "Q" Models Only |
| Wiring Connections | 3/4" Quick connect terminals |
| Warranty | 1-Year |
| Operating Temperature | -40°F - 185°F (-40°C - 85°C) |

| Model # Flush Mount (MIL72E) | Model # Surface Mount/DIN Rail (MIL72A) | Input Voltage | MIN ON/OFF Time | Override |
|------------------------------------|---|--------------------------------|--------------------|----------|
| Synchronous | | | | |
| MIL72ESTUZ-120 | MIL72ASTUZ-120 | 120 VAC, 60 Hz | 15 min | No |
| MIL72ESTUZ-240 | MIL72ASTUZ-240 | 208/240 VAC, 60 Hz | 15 min | No |
| - | MIL72ASTUZH-24 | 24 VAC, 60 Hz | 15 min | Yes |
| MIL72ESTUZH-120 | MIL72ASTUZH-120 | 120 VAC, 60 Hz | 15 min | Yes |
| - | MIL72ASTUZH-240 | 208/240 VAC, 60 Hz | 15 min | Yes |
| Quartz | | | | |
| MIL72EQTUZ-24* | - | 12/24 VDC, 12/24 VAC, 50/60 Hz | 15 min | Yes |
| MIL72EQTUZH-120* | MIL72AQTUZH-120* | 120 VAC, 50/60 Hz | 15 min | Yes |
| - | MIL72AQTUZ-240* | 208/240 VAC, 50/60 Hz | 15 min | No |

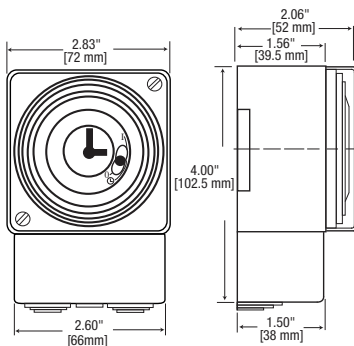
*Quartz Models operate on 12-24 VAC/VDC, 120 or 208/240 VAC, and 50/60 Hz and are Title 20 listed.

DIMENSIONS

MIL72E Flush Mount with Clear Dust Cover

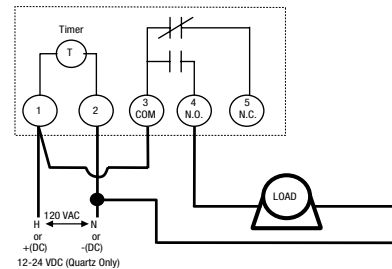


MIL72A Surface Mount/DIN Rail Mount with Clear Dust Cover

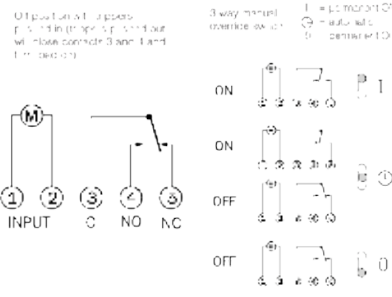


WIRING DIAGRAMS

12-24 VAC/VDC & 120 VAC application



Terminal Connections



MIL72 Series, 7-Day

21 A, 1-CIRCUIT, 7-DAY TIMER MODULES

The MIL72 series time switches are designed to be mounted inside a control panel and can accommodate surface/DIN rail or flush panel mounting. The MIL72 series is a light duty commercial time switch for 12-24 VAC/VDC, 120 or 208/240 VAC single-phase applications.

APPLICATIONS

- Refrigeration Merchandiser • Air Movement & Ventilation • Aeration • Septic Treatment
- Generator Exercising

FEATURES

- 21 A SPDT switch
- Synchronous drive or quartz drive (Q Models) with self-recharging battery backup
- 72-hour carry-over battery backup on Q models
- Captive trippers with 2-hour intervals
- Available with or without override
- True clock face, easy-to-set
- Surface/DIN rail or flush mount
- Clear plastic dust cover
- Compact size



MIL72ESWUZH-120



MIL72AQWUZH-120



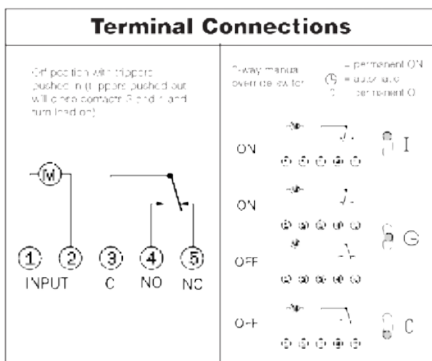
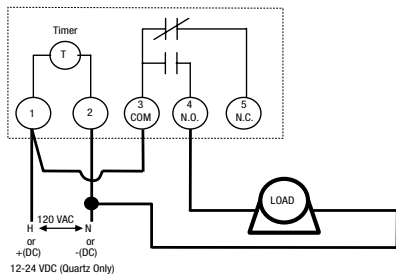
| Model # Flush Mount (MIL72E) | Model # Surface Mount/DIN Rail (MIL72A) | Input Voltage | MIN ON/OFF Time | Override |
|------------------------------------|---|-----------------------|--------------------|----------|
| Synchronous | | | | |
| MIL72ESWUZH-120 | MIL72ASWUZH-120 | 120 VAC, 60 Hz | 2 hrs | Yes |
| MIL72ESWUZH-240 | - | 208/240 VAC, 60 Hz | 2 hrs | Yes |
| Quartz | | | | |
| MIL72EQWUZH-120 | MIL72AQWUZH-120 | 120 VAC, 50/60 Hz | 2 hrs | Yes |

*Quartz Models operate on 12-24 VAC/VDC, 120 or 208/240 VAC, and 50/60 Hz and are Title 20 listed.

| Ratings | |
|--------------------------------|--|
| Tungsten (Incandescent) | 1350 W, 120 VAC |
| Resistive (Heater) | 21 A, 250 VAC |
| Power Consumption | |
| 120 VAC | 0.5 Va |
| 208/240 | 1 Va |
| Switch Type | SPDT |
| Motor | 1 HP, 120 VAC; 2 HP, 250 VAC |
| Battery Backup Option | 72-hour Carry-over, Battery, Self-recharging "Q" Models Only |
| Wiring Connections | Screw terminal accepts up to #12 AWG wire |
| Warranty | 1-Year limited |
| Operating Temperature | -4°F - 131°F (-20°C - 55°C) |

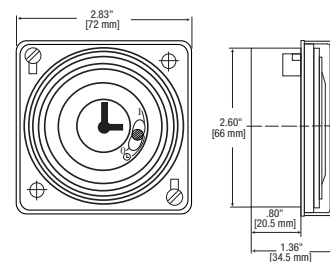
WIRING DIAGRAMS

12-24 VDC & 120 VAC application

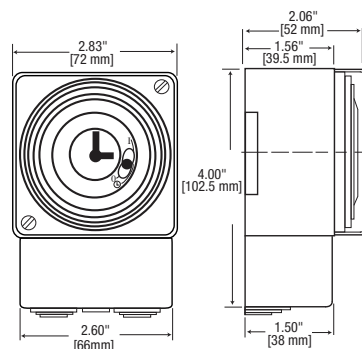


DIMENSIONS

MIL72E Flush Mount with Clear Dust Cover



MIL72A Surface Mount with Clear Dust Cover



Mechanical Time Switches

Electromechanical, 24-Hour or 7-Day



GM40AV



Captive Trippers
can't be lost

GM40AV Series

40 A AUTO-VOLTAGE GENERAL PURPOSE TIME SWITCH

The GM40AV Time Switch is a universal, electromechanical time switch designed for general purpose residential and commercial applications. The robust 40 A time switch automatically detects the input voltage without the use of a DIP switch or selector pins. The time switch automatically selects any voltage between 120-277 VAC. The mechanism is mounted in a compact UL Type 3R outdoor enclosure and can also be easily retrofitted into other Intermatic enclosure types. The time switch features a DPDT switching configuration standard (i.e. two normally open and two normally closed contacts).

APPLICATIONS

- Refrigeration Merchandiser • Air Movement & Ventilation • Aeration
- Septic Treatment • Generator Exercising

FEATURES

- Auto-voltage selection 120 VAC-277 VAC
- Captive trippers - trippers cannot be lost
- 40 A rating
- Self-recharging battery backup, "Q" models feature 72-hour carry-over
- Power and status LED indicators
- 24-Hour or 7-day models available
- Up to 48 ON/OFF operations per 24-hour period or 42 ON/OFF operations per week on "W" models
- DPDT switching configuration standard (2 NO and 2 NC Contacts)
- Manual three-way ON/OFF/AUTO override switch
- Easy-to-read clock face
- Type 3R outdoor enclosure

| Model # | Input Voltage | Switch Type | Enclosure | Battery Backup | Timing |
|------------|---------------------------------|-------------|--------------------------------|--|---------------------------|
| GM40AV | Auto Voltage 120-277 VAC, 60 Hz | DPDT | Indoor/outdoor type 3R plastic | No | 24 hour, 15 min Intervals |
| GM40AV-Q* | 120-277 VAC, 50/60 Hz | DPDT | Indoor/outdoor type 3R plastic | 72-hour Carry-over, Battery, Self-recharging | 24 hour, 15 min Intervals |
| GM40AV-W | 120-277 VAC, 60 Hz | DPDT | Indoor/outdoor type 3R plastic | No | 7 day, 2 hours Intervals |
| GM40AV-QW* | 120-277 VAC, 50/60 Hz | DPDT | Indoor/outdoor type 3R plastic | 72-hour Carry-over, Battery, Self-recharging | 7 day, 2 hours Intervals |

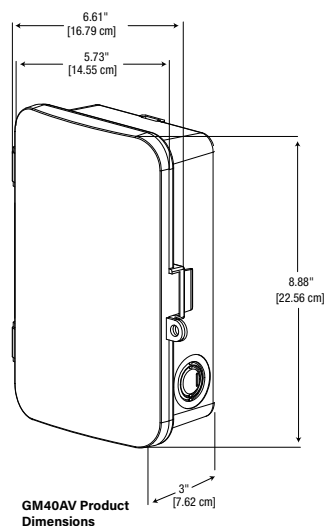
*Q models are Title 20 listed.



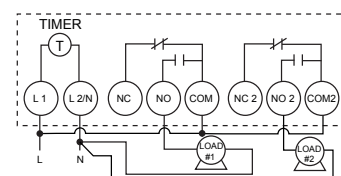
patent #6,563,237

| Ratings | |
|-------------------------|--|
| NO Contacts | |
| Tungsten (Incandescent) | 15 A, 120 VAC |
| Resistive (Heater) | 40 A, 120-277 VAC |
| Ballast (Fluorescent) | 30 A, 120 VAC; 20 A, 277 VAC |
| Pilot Duty | 300 VA, 120-240 VAC |
| Motor | 1 HP, 16 FLA, 90 LRA @120 VAC; 2 HP, 12 FLA, 52 LRA @ 208-277 VAC |
| NC Contacts | |
| Tungsten (Incandescent) | 2 A, 120 VAC |
| Resistive (Heater) | 30 A, 120-277 VAC |
| Ballast (Fluorescent) | 10 A, 277 VAC |
| Motor | 1 HP, 12 FLA, 30 LRA @ 120 VAC; 2 HP, 10 FLA, 30 LRA @ 240 VAC |
| Power Consumption | 7 Va |
| Wiring Terminals | Screw box lug |
| Electrical Life | 50,000 operations at full load |
| Operating Humidity | 0-95% RH, Non-condensing |
| Warranty | 1-Year limited |
| Operating Temperature | -40°F - 131°F (-40°C - 55°C) |

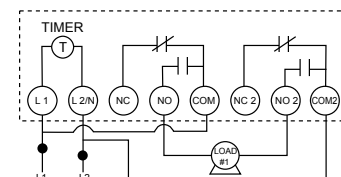
ENCLOSURE DIMENSIONS



WIRING DIAGRAM



120/277 VAC



208/240 VAC

GMX Series

21 A, GENERAL PURPOSE, 1-CIRCUIT ELECTRONIC TIME SWITCHES

The GMX series time switches are universal mechanical time switches. They are a low cost alternative for applications that do not require more than 21 A or 2 HP @ 240 VAC. The timer is mounted in a UL Type 1 indoor or Type 3R outdoor plastic enclosure. The GMX is a light-duty commercial time switch ideal for 24, 120 or 208/240 VAC single-phase general applications.

APPLICATIONS

- Refrigeration Merchandiser • Air Movement & Ventilation • Aeration • Septic Treatment
- Generator Exercising

FEATURES

- 21 A SPDT Switch
- UL Type 1 indoor or Type 3R outdoor plastic enclosure
- Manual 3-way override
- Captive trippers with 15-minute intervals on 24-hour models and 2-hour intervals on 7-day models
- True clock face, easy to set
- Finger-safe terminals
- Enclosure provides space for field-added contactor or other accessories
- Synchronous drive or quartz drive ("Q" models) with self-charging battery backup



GMXST-0-120

| Model # | Model # Quartz | Voltage | Min On/Off Times | Enclosure |
|--------------------|---|--------------------|------------------|-------------------------|
| Synchronous | 72-hour Carry-over, Battery, Self-recharging | | | |
| 24 hrs | | | | |
| GMXST-I-120 | ** | 120 VAC, 60 Hz | 15 min | Indoor type 1 plastic |
| GMXST-I-240 | ** | 208/240 VAC, 60 Hz | 15 min | Indoor type 1 plastic |
| GMXST-O-120 | GMXQT-O-120* | 120 VAC, 50/60 Hz | 15 min | Outdoor type 3R plastic |
| 7 days | | | | |
| GMXSW-I-120 | ** | 120 VAC, 60 Hz | 2 hrs | Indoor type 1 plastic |

*Quartz models operate on 12-24 VAC/VDC, 120 or 208/240VAC, and 50/60 Hz and are Title 20 listed.

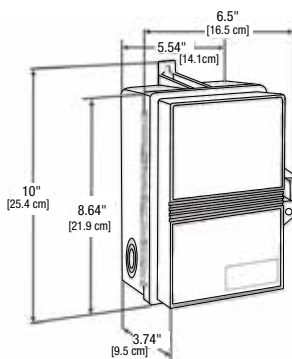
**Considered upon request



#E10694 2002/95/EC

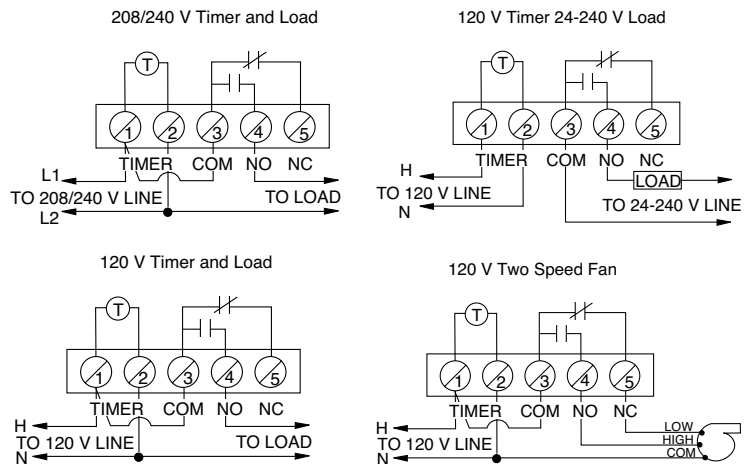
| Ratings | |
|--------------------------------|--|
| Tungsten (Incandescent) | 1350 W, 120 VAC, 60 Hz |
| Resistive (Heater) | 21 A, 250 VAC, 60 Hz |
| Motor | 1 HP, 120 VAC; 2 HP, 250 VAC |
| Switch Type | SPDT |
| Operating Humidity | 0 to 95%, Non-condensing |
| Battery Backup Option | 72-hour Carry-over, Battery, Self-recharging "Q" Quartz Models |
| Wiring Connection | Screw terminal accepts up to #12 AWG wire |
| Warranty | 1-Year limited |
| Operating Temperature | -40°F - 185°F (-40°C - 85°C) |

ENCLOSURE DIMENSIONS



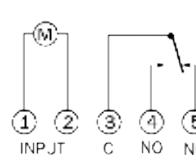
WIRING DIAGRAMS

Typical Wiring for GMX Series

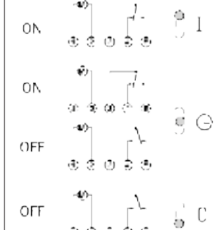


Terminal Connections

OFF position with trippers pushed in (11 pins) pushed out will allow contacts 2 and 4 and 3 and 5 to be used.



Switch manual override action: 1 = 120 V/240 V, 2 = manual, 3 = permanent OFF



Mechanical Time Switches

Accessories & Enclosures

ACCESSORIES

| Model # | Description |
|--------------|---|
| 107TN221 | Red (OFF) tripper for TN, PB, TB Series, P1101, P1131, P1161, P1261P, AL300TPWS, AL600TPWS and AL900TPWS |
| 107TN222 | Turquoise (ON) tripper for TN, PB, TB Series, P1101, P1131, P1161, P1261P, AL300TPWS, AL600TPWS and AL900TPWS |
| 107T73 | Replacement Day Wheel Pins for T8800 and R8800 Series |
| 124T1952 | Insulator for Double-Pole Time Switch (T103, T104, T105, T173, T174, T175, T176, T185, WH40) |
| 119T86A | 24 VAC 20 VA Transformer, with #10 Ring Terminals |
| 124T2097 | Insulator for R8806P101C, T8805P101C, T8845PV |
| 124T2411A | Insulator for Mechanical Time Switches - 10 Pack |
| 124T905 | Insulator for T1905HDM, T1975EHDM, T1975HD, T1976, T1975, T1975ER, T1905 |
| 130T1042 | Grounding Terminal Bar |
| 131T68GA | 125 VAC, 60 Hz Motor and Carry-over for T7400BC and T800BC Series |
| 133T700A | Micro Switch for T8800 and R8800 Series |
| 133T773A | Replacement Snap Switch for C8800 Series |
| 143T138 | Relay Kit, DPST, 3 HP, 240 VAC (S) |
| 156T1948A | Trippers for T170, T1400, T1800 Series Includes 1 ON, 1 OFF, and 1 ON with Skipper Extension |
| 156T1954A | 14 Skipper Pins for R8800, and T8800 Series |
| 156T1950AD12 | 12 Bags of 156T1950A Trippers for T1900, T2000, C8800, R8800, and T8800 Series |
| 124T1954 | Insulator for T101B with Independent Motor Wiring |
| 156T1978AD12 | 12 Pack of 156T1978A Trippers for T100, T7000, and WH40 |
| 156T2548A | 7 Sets of ON/OFF Trippers for T7400 and T7800 Series |
| 156T3085A | Skipper Screws for T170 Series, T1400 Series, and T1800 Series |
| 156T3230A | Trippers (1) Set (ON/OFF/ON Cutout) for WH Series |
| 22T338GR | Mounting Bracket for Intermatic Standardized Timer Mechanisms |
| WG1570-10 | WG1570-10 |
| WG1573-10D | 208-277 VAC, 60 Hz Motor for T102, T104, T106, T172, T174, WH40 |
| WG1574-10 | WG1574-10 |
| WG1603-11D | WG1603-11D |
| Model # | Description |

| | |
|------------|---|
| WG190-15D | MOTOR-BOXED,125V 60HZ |
| WG433-20D | MOTOR-BOXED,125V 60HZ |
| WG436-20 | WG436-20 |
| WG630D | WG630D |
| WG720-10D | MOTOR-BOXED,125V 60HZ |
| 133T1115A | Toggle Switch for T8800 and R8800 Series |
| 133T701A | Replacement Snap Switch for T1900 and T2000 Series |
| 156T2978A | Package Accessory Trippers |
| 124T2058 | Insulator for T1905, T1906, T2006, T2005, C8815, C8825, C8835, C8845, C8855, C8865, C8866 |
| 124T907A | Insulator Assembly (S001) |
| 107T119 | Tripper (Silver) for T8800 and R8800 Series (Day Skipper) |
| 156T1950A | Set of 12 Trippers for T1900, T2000, C8800, R8800 and T8800 Series |
| WG1571-10D | MOTOR-BOXED,125V 50HZ |
| WG1576-10D | WG1576-10D |
| WG1574-10D | MOTOR-BOXED,250V 50HZ |
| 124T1948 | Insulator for Single-Pole Time Switch (T101, T102, T171, T172) |
| 156T3225A | Trippers (2) Sets (ON/OFF) for T7000, WH Series (With ON/OFF Markings) |
| 133T698A | Replacement Snap Switch for T1970 Series |
| 156T1957A | Skipper Screws (3 per package) |
| 143T302A | Relay Kit, DPST, 3 HP, 120 VAC Assembly (S001) |
| WG1570-10D | 125 VAC, 60 Hz Motor for T101, T103, T105 |
| WG733-14D | 208-277 VAC, 60 Hz Motor for R8800, T1900, T1970, and T8800 Series |
| WG1600-11 | WG1600-11 |
| WG730-14D | 125 VAC, 60 Hz Motor for R8800, T1900, T1970, and T8800 Series |
| 156T1978A | Extra/replacement trippers 1 ON and 1 OFF |
| 124T1953 | Insulator for 4PST Time Switch |
| WG736-14 | WG736-14 |
| WG430-20D | MOTOR-BOXED,125V 60HZ |
| WG1571-10 | WG1571-10 |

ENCLOSURES



2T511GA



2T2926A



2T308A

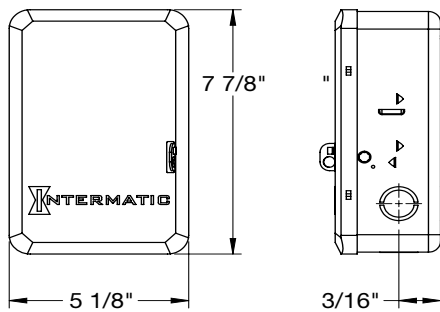


2T2500GA

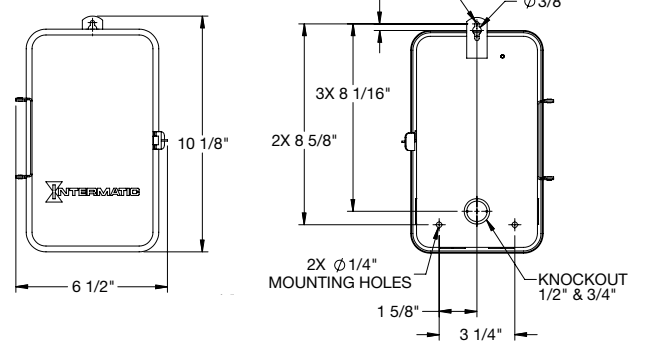
| Model # | Description |
|----------|---|
| 2T2040GA | Case-Indoor, Type 1 Metal, Gray |
| 2T2331GA | Case-Outdoor, Type 3R Metal, Gray |
| 2T2365GA | Case-Indoor, Type 1 Metal, Gray |
| 2T2500GA | Case-Outdoor, Type 3R Plastic, Gray |
| 2T2926A | Case-Outdoor, Type 3R Plastic, Gray with See-Through Window |
| 2T308A | Case-Indoor, Type 1 Metal, Gray |
| 2T511GA | Case-Outdoor, Type 3R Metal, Gray |

ENCLOSURE DIMENSIONS

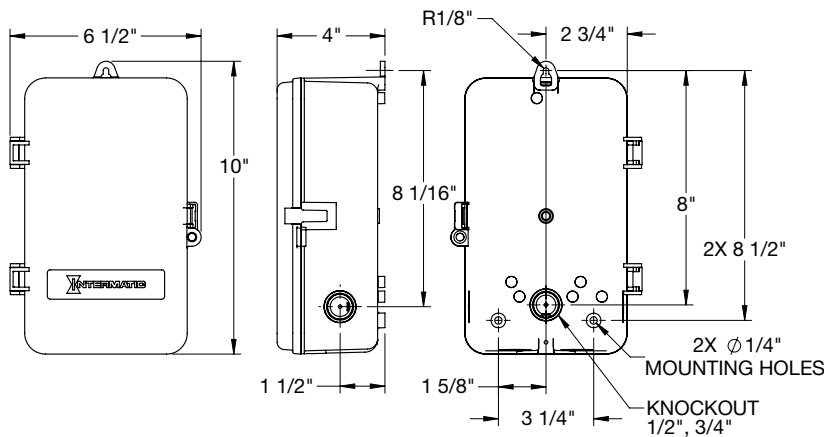
2T2040GA



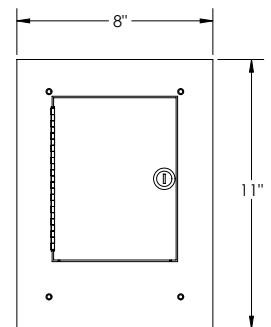
2T511GA / 2T2485GA



2T2500GA / 2T2502GA / 2T2926A



2T2365GA / 2T308A



WANT TO KNOW MORE

Please see pages 186-190 for additional wiring diagrams and information on enclosures.

Specialty Time Switch Solutions

Give unique projects a boost with our wide selection of specialty time switches. Common applications include irrigation and misting systems, water heaters, feeding equipment, processing equipment and other agricultural needs.



Irrigation and Misting System

Automate daily or weekly watering schedules with a mechanical or electronic specialty time switch. Our versatile solutions are quick to install and adjust throughout the season as watering needs change.

Water Heater Controls

Reduce utility costs with a simple yet effective water heater timer. Electronic solutions like the EH40 allow users to create daily ON/OFF schedules to maximize efficiency while always keeping hot water at the ready.



Ventilation Systems

Keep fans and ventilation systems operating on schedule with dynamic solutions, such as our percentage cycle time switches. These handy controls improve energy efficiency and promote long-term performance.

Percentage Cycle Controls

Manage repetitive cycling schedules with a percentage cycle timer. These solutions offer flexible scheduling options and are an ideal choice for agriculture feeder and greenhouse misting applications.



Contents

| | |
|---|----|
| Percentage Cycle Timer | 56 |
| Sprinkler/Irrigation Time Switches..... | 57 |
| Electromechanical Water Heater Timers | 58 |
| Water Heater Timers..... | 59 |

Energy-Efficient Water Use in Action!

Take advantage of "off-peak" hours and improve energy efficiency with WH40 Water Heater Timer from Intermatic. The WH40 provides direct 24-hour control and offers a variety of homeowner-friendly features, including a lockable hasp and a manual ON/OFF lever to control the water heater timer without opening the enclosure.



Specialty Time Switches

Percentage Cycle Timer



CT2000

CT2000

PERCENTAGE CYCLE TIME SWITCH

The CT2000 Percentage Cycle Time Switch is a field adjustable timer, offering true flexibility for repetitive cycle times via an upfront control button. The timer provides repetitive cycling for short-cycle applications. The timer enclosure includes two slotted mounting holes on 5" centers and a 1/2" knockout for conduit connection.

APPLICATIONS

- Agriculture Feeders • Greenhouse Misting Control

FEATURES

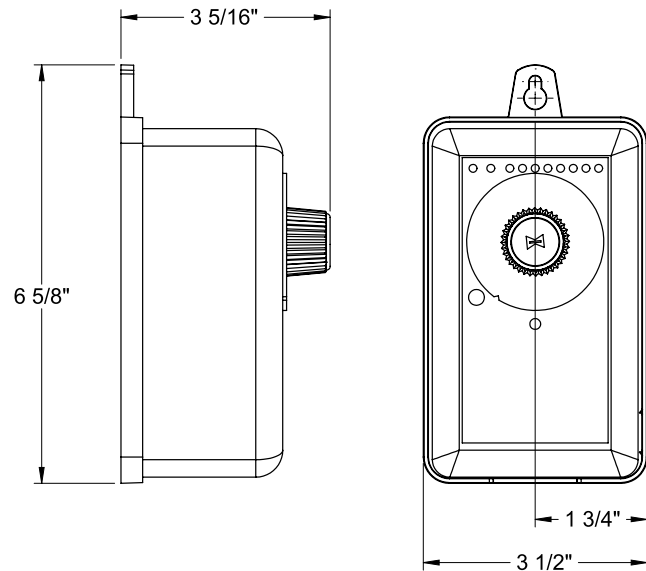
- Provides 8 field-selectable cycle durations of 30 seconds, 1, 3, 5, 10, 30 minutes and 1 or 4 hours
- Front cover button enables true flexibility for repetitive cycle times
- Temporary and permanent manual overrides
- 30 separate positions enable precise percentage ON time selection
- User settings stored in non-volatile memory
- No DIP switches to program cycle time
- Type 3R indoor/outdoor aluminum enclosure



| Ratings | |
|-------------------------|--|
| Switch Type | SPST |
| General Purpose | 20 A, 240 VAC, 60 Hz |
| Tungsten (Incandescent) | 5 A, 240 VAC, 60 Hz |
| Resistive (Heater) | 20 A, 28 VDC, 240 VAC, 60 Hz |
| Ballast (Fluorescent) | 10 A, 277 VAC, 60 Hz |
| Pilot Duty | 470 VA, 240 VAC, 60 Hz |
| Motor | 1 HP, 120 VAC, 60 Hz, 2 HP, 240 VAC, 60 Hz |
| Wire Leads 8" | |
| Red | #12 AWG |
| Black | #18 AWG |
| White | #18 AWG |
| Warranty | 1-Year limited |
| Operating Temperature | -14°F - 140°F (-10°C - 60°C) |

| Model # | Input Voltage |
|---------|-------------------|
| CT2000 | 120/240 VAC 60 Hz |

ENCLOSURE DIMENSIONS



R8800 Series & T8800 Series

SPRINKLER/IRRIGATION TIME SWITCHES WITH 14-DAY SKIPPER

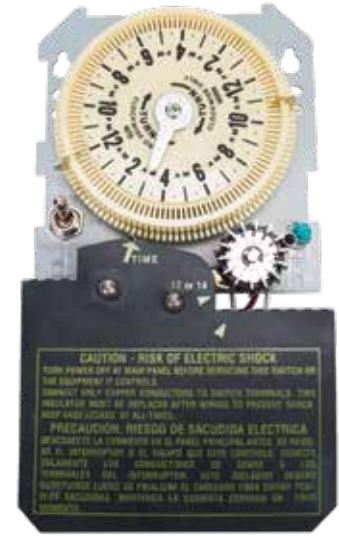
These irrigation timers are designed to permit one to 44 "ON" operations every 24 hours and provide watering increments down to 12 minutes or up to 20 hours and 45 minutes to ensure proper watering increments. These models also allow for biweekly scheduling with the convenient 14-day skipper for maximum water conservation and odd/even day compliance.

APPLICATIONS

- Agriculture Feeders • Greenhouse Misting Control

FEATURES

- Up to 44 ON/OFF settings per day
- Water metering increments from 12 minutes to 20 hours and 45 minutes
- 14-Day skipper enables irrigation to be omitted on selected day(s)
- Allows for alternate-day scheduling
- ON/OFF/AUTO switch enables shutdown during rainy days and extended watering during dry periods without disturbing the cycle set on dial
- Type 3R plastic indoor/outdoor enclosure



R8806M101C



| Model # | Switch Type | Clock Motor Voltage | Load Voltage | Amps (per pole) | HP |
|---------------------------------------|-------------|---------------------|----------------|-----------------|-------|
| Mechanism Only | | | | | |
| R8806M101C | DPST | 240 VAC, 60 Hz | 240 VAC, 60 Hz | 30 A | 3 |
| T8805M101C | DPST | 125 VAC, 60 Hz | 125 VAC, 60 Hz | 15 A | 1/2 |
| Indoor/outdoor type 3R plastic | | | | | |
| R8806P101C | DPST | 208/277 VAC, 60 Hz | 240 VAC, 60 Hz | 30 A | 3 |
| R8815P101C* | DPST | 125 VAC, 60 Hz | 120 VAC, 60 Hz | 30 A | 1 1/2 |
| R8816P101C* | DPST | 208/277 VAC, 60 Hz | 240 VAC, 60 Hz | 30 A | 3 |
| T8805P101C | SPST | 125 VAC, 60 Hz | 125 VAC, 60 Hz | 15 A | 1/2 |
| T8845PV** | SPST | 110/125 VAC, 60 Hz | 24 VAC, 60 Hz | 20 VA | |

*Provided with a slide switch to enable/disable a Rain Sensor (not included).

**Includes 24 Volt, 20 VA transformer.

| Ratings: | |
|---|--|
| Enclosure H x W x D Plastic Indoor/Outdoor | 10" x 6.5" x 4" (254 mm x 165.1 mm x 101.6 mm) |
| Knockout Dimensions | |
| Side/Back | (1) combination 1/2" - 3/4" |
| Bottom | (2) combination 1/2" - 3/4" |
| Warranty | 1-Year limited |
| Operating Temperature | -40°F - 130°F (-40°C - 54°C) |

For enclosure line drawings and knockout locations, see pages 186-190.

SPRINKLER/IRRIGATION TIME SWITCHES



Coordinate watering schedules and manage heating system overrides with our selection of landscape water controls. Designed for commercial and residential applications, these controls help maintain lush outdoor landscapes and optimize water use.

Specialty Time Switches

Electromechanical Water Heater Timers



WHAVQ4

WHAVQ Series

24-HOUR/7-DAY WITH BATTERY BACKUP AUTO-VOLTAGE ELECTRIC WATER HEATER TIMERS

WHAVQ Series Water Heater Timers are designed for control of residential or commercial electric water heaters up to 10,000 Watts capacity running at 240 VAC. The unit is mounted in a UL Type 3R Outdoor enclosure and can be placed in basements or mechanical rooms.

APPLICATIONS

- Water Heater Control

FEATURES

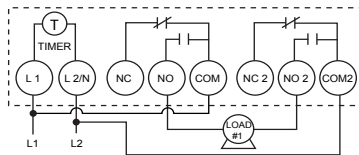
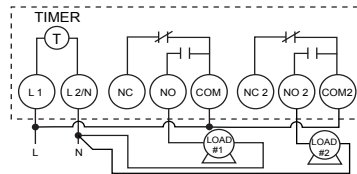
- 40 A rating
- Self-recharging battery backup with 7-day carry-over
- Captive trippers - cannot be lost
- 24-hour or 7-day models available
- Three-way ON/OFF/AUTO manual override
- Power and status LED indicators
- Rainproof UL Type 3R enclosure
- Saves energy by shutting water heaters OFF during "off peak periods"
- Auto-voltage selection 120-240 VAC
- Easy-to-read clock face

 **UL** **us** **RoHS**
Compliant Patent# 6,563,237

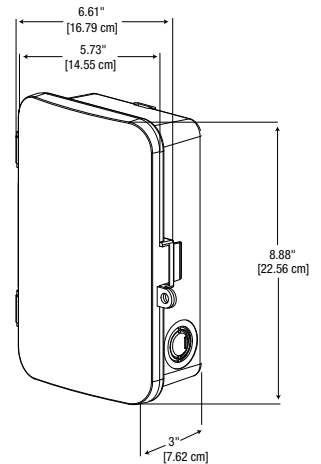
| Ratings | |
|--------------------------------|--------------------------------|
| Switch Configuration | 40 A, DPDT |
| Switch Rating for NO Resistive | 40 A, 250 VAC, 10,000 W |
| Switch Rating for NC Resistive | 30 A, 250 VAC, 7500 W |
| Operating Humidity | 0-95% RH, Non-condensing |
| Electrical Life | 50,000 operations at full load |
| Operating Temperature | -4°F - 104°F (-20°C - 40°C) |
| Warranty | 1-Year limited |

| Model # | Input Voltage | Timing |
|---------|-----------------------|--|
| WHAVQ4 | 120-240 VAC, 50/60 Hz | 24 hour 72-hour Carry-over, Battery, Self-recharging |

WIRING DIAGRAMS



ENCLOSURE DIMENSIONS



WATER HEATER TIMERS

Utilities in many areas of the country offer two electric rates for residential or commercial customers. One rate has the regular daytime electrical rate, the other is the "off-peak" rate. The "off-peak" rate provides customers with lower priced electricity during the nighttime and weekend periods.

EH10 & EH40
ELECTRONIC WATER HEATER TIME SWITCHES

The EH Series Electronic Time Switches provide control for electric water heaters with to-the-minute accuracy in programming and time-keeping. The use of a water heater timer allows the customer to shift electricity use to "off-peak" time periods to reduce utility costs. These time switches can be programmed for repeat daily scheduling, 5-day work week scheduling, weekend scheduling or individual day scheduling. Models are available for both 120 and 240 VAC applications.

APPLICATIONS

- Agriculture Feeders • Greenhouse Misting Control • Water Heater Control

FEATURES

- 42 ON/OFF events per week
- 7-day scheduling
- To-the-minute programming and time-keeping accuracy
- External override switch
- LED load indicator
- Replaceable battery backup

| Model # | Input Voltage | Switch Type | Watts | Enclosure |
|---------|----------------|-------------|-------|---------------------|
| EH10 | 120 VAC, 60 Hz | SPST | 3600 | Indoor type 1 metal |
| EH40 | 240 VAC, 60 Hz | DPST | 7200 | Indoor type 1 metal |



EH10

| Ratings | |
|-------------------------------|--|
| Switch Rating for EH10 | 30 A Inductive, 30 A Resistive, 5 A Tungsten, 1 HP, 120 VAC, 60 Hz |
| Switch Rating for EH40 | 30 A Inductive, 30 A Resistive, 5 A Tungsten, 1 1/2 HP, 240 VAC, 60 Hz |
| Knockout Dimensions | |
| Side/Back | (1) combination 1/2" - 3/4" |
| Bottom | (2) combination 1/2" - 3/4" |
| Operating Temperature | -40°F - 104°F (-40°C - 40°C) |
| Warranty | 1-Year limited |

WH40 & T104-20
MECHANICAL WATER HEATER TIME SWITCHES

With the easy-to-set "Yellow Dial," these time switches allow for basic control of electric water heaters. These time switches offer a minimum ON/OFF time of one hour, and are available for 208-250 VAC applications. With the proven reliability of our mechanical line, these time switches provide dependable electric water heater control.

APPLICATIONS

- Agriculture Feeders • Greenhouse Misting Control • Water Heater Control

FEATURES

- Two sets of ON/OFF trippers
- Enables shifting electricity use into off-peak hours to reduce energy costs
- Convenient external override switch
- Up to 12 ON/12 OFF events per day

| Model # | Switch Type | Clock Motor | Amps (per pole) | Watts Resistive | External Override |
|---------|-------------|--------------------|-----------------|-----------------|-------------------|
| T104-20 | DPST | 208/277 VAC, 60 Hz | 40 A | 10000 | No |
| WH40 | DPST | 208/277 VAC, 60 Hz | 40 A | 10000 | Yes |



WH40



| Ratings | |
|---------------------------------|--|
| Power Consumption | 3 W |
| Enclosure Dimensions | |
| Metal Indoor (H x W x D) | 7 7/8" x 5 1/8" x 3 3/8" (mm x mm x mm) |
| Knockout Dimensions | |
| Side/Back | (1) combination 1/2" - 3/4" |
| Bottom | (2) combination 1/2" - 3/4" |
| Operating Temperature | -40°F - 130°F (-40°C - 54°C) |
| Warranty | 1-Year limited |

In-Wall Timer Solutions

Convenient scheduling is always within reach with our wide selection of In-Wall Timers. These easy-to-install solutions are designed to simplify everyday lighting and load control needs.



Indoor Lighting Control

Upgrade indoor spaces with in-wall timers that manage daily lighting schedules and put occupants in control. Applications range from commercial buildings and retail stores to single-family homes and small offices.

Timing/Scheduling ON/OFF

Keep lights, ventilation systems and other loads on schedule with a 7-day or 24-hour in-wall timer. These versatile solutions make it easy to set ON/OFF schedules and promote energy efficiency.



Outdoor Lighting Control

Ideal for entryways, storefronts, front porches and more, a well-placed in-wall timer can promote security and reduce energy waste.

Occupant Comfort

Elevate residential and commercial living spaces with energy-saving in-wall timers. Advanced solutions like our ASCEND® Smart 7-Day Timer allow for easy smartphone control and provide convenient daily scheduling options.



Contents

| | |
|---|----|
| ASCEND® Series | 62 |
| 7-Day Programmable Timers | 64 |
| 24-Hour Programmable Timers..... | 66 |
| Electronic Countdown Timers..... | 68 |
| Mechanical Spring Wound Countdown Timers..... | 70 |
| In-Wall Timer Comparison Chart..... | 72 |
| Accessories..... | 73 |

Additional Solutions and Resources

Ready to get started? Scan the QR code to the right for a variety of helpful resources, including sell sheets, product instructions, installation videos and more.



ASCEND® SMART IN-WALL TIMER (STW700W, STW700LA)

Simplify home lighting automation projects with the Ascend Smart In-Wall Timer. An upgrade from Ascend Standard, our Wi-Fi enabled control offers many of the same benefits of a complex home automation system without the hassle.

Quick Installation - Shave minutes off each time switch installation with streamlined smartphone programming options and an intuitive interface.

No Hub Needed - Create a standalone home automation system without the need for a dedicated hub or smart home controller.

Voice Activation - Pair the Ascend Smart In-Wall Timer with Amazon Alexa or the Google Assistant to deliver voice-activated programming commands, including ON/OFF and status check.

Anywhere Access - Download the complimentary Ascend mobile app to any Apple® or Android® smartphone to update programming schedules on the fly.

Versatile Design - Fit the Ascend into any home project with both single-pole or 3-way switch compatibility.



Light Almond

ASCEND® Series

ASCEND SMART 7-DAY PROGRAMMABLE WI-FI TIMER, 120 VAC, 15A

Next generation timers with sleek, modern design and intuitive programming. Works with Amazon Alexa and Google Assistant; no hub required. Neutral required. Easily schedule lights and connected loads to turn on/off at specific times or based on sunrise/sunset.

**NOTE: Not for use with sunlamps, saunas, or loads that could cause personal injury if timed incorrectly.*

APPLICATIONS

- Indoor Lighting Control - Air Movement & Ventilation - Outdoor Lighting Control

FEATURES

- Single-pole or 3-way switches
- Ability to text/email saved schedules
- 7-Day Timer with Automatic Daylight Saving and Astronomic ON/OFF at Dusk or Dawn
- Sleek, Modern Design
- Remote Access from anywhere, no hub required
- Wi-Fi not needed for initial setup and scheduling
- Fully set and schedule at the timer or via the Ascend app
- Supporting mobile app available in the Apple App Store and on Google Play
- Automatic Astronomic ON/OFF dusk and dawn times to provide the most accurate lighting schedule possible
- Automatic Daylight Saving Time (DST) Adjustment
- Three pre-programmed schedule templates for convenience
- Fully customizable scheduling for flexibility
- Non-replaceable battery backup keeps time and date information in the event of a power loss
- Schedules and other settings are kept indefinitely in non-volatile memory
- No Hub Required
- 2-Hour override function
- Decorator switch plate not included

| Model # | Description | Has WiFi | Color | Neutral Required |
|----------|---|----------|--------------|------------------|
| STW700W | Ascend Smart 7-Day Programmable Wi-Fi Timer, 120 VAC, 15A, White | Yes | White | Yes |
| STW700LA | Ascend Smart 7-Day Programmable Wi-Fi Timer, 120 VAC, 15A, Light Almond | Yes | Light Almond | Yes |

Note: For use with standard decorator plate, not included.

| Ratings | |
|--------------------------|--|
| Input Voltage | 120 VAC, 50/60 Hz |
| General Purpose | 15 A |
| Electronic Ballast (LED) | 5 A, 600 W |
| Tungsten (Incandescent) | 8 A |
| Inductive (Heater) | 15 A, 120 VAC, 50/60 Hz |
| Motor | 1 HP, 120 VAC, 50 Hz, 1 HP, 120 VAC, 60 Hz |
| Dimensions H x W x D | 2 3/4" x 1 3/4" x 1 1/3" (69.9 mm x 44.4 mm x 33.9 mm x |
| Operating Temperature | -4°F - 122°F (-20°C - 50°C) |
| Warranty | 3-Year limited |

Note: Not for use with sunlamps, saunas, or loads that could cause personal injury if timed incorrectly.

ASCEND® Standard Series

ASCEND STANDARD 7-DAY PROGRAMMABLE TIMER, 120 VAC, 15A, WHITE

The ASCEND® Standard In-Wall Timer is a 7-Day Programmable Timer featuring a sleek, modern design. The timer can be configured in minutes using a large backlit LCD display and includes pre-programmed templates for easy use. The Ascend Standard features Astronomic dusk-to-dawn settings and automatic Daylight Saving Time adjustments. Neutral required. *NOTE: Not for use with sunlamps, saunas, or loads that could cause personal injury if timed incorrectly.

APPLICATIONS

• Air Movement & Ventilation • Indoor Lighting Control • Outdoor Lighting Control

FEATURES

- Quick, intuitive installation
- Single-pole or 3-way switches
- Sleek, Modern Design
- 7-Day Timer with Automatic Daylight Saving and Astronomic ON/OFF at Dusk or Dawn
- Intuitive Setup
- Three pre-programmed schedule templates for convenience
- Fully customized scheduling for flexibility
- Program up to 42 unique events
- Large, easy-to-read backlit LCD screen
- Non-replaceable battery backup keeps time and date information in the event of a power loss
- Schedules and other settings are kept indefinitely in non-volatile memory
- 2-Hour override function
- Decorator switch plate not included



| Model # | Description | Has WiFi | Color | Neutral Required |
|---------|---|----------|-------|------------------|
| ST700W | Ascend Standard 7-Day Programmable Timer, 120 VAC, 15A, White | No | White | Yes |

Note: For use with standard decorator plate, not included.

| Ratings | |
|---------------------------------|---|
| Input Voltage | 120 VAC, 50/60 Hz |
| General Purpose | 15 A |
| Electronic Ballast (LED) | 5 A, 600 W |
| Inductive (Heater) | 15 A, 120 VAC, 50/60 Hz |
| Motor | 1 HP, 120 VAC, 50/60 Hz |
| Dimensions H x W x D | 2 3/8" x 1 3/8" x 1 3/8" (69.9 mm x 44.4 mm x 33.9 mm) |
| Operating Temperature | -4°F - 122°F (-20°C - 50°C) |
| Warranty | 3-Year limited |

Note: Not for use with sunlamps, saunas, or loads that could cause personal injury if timed incorrectly.

ASCEND®



Touch- Navigate the core functions of Ascend Smart and Ascend Standard through an intuitive LCD interface. The visual display simplifies initial setup while helping homeowners view upcoming events and make updates with ease.

Mobile- Monitor Ascend Smart from anywhere with the complimentary Ascend Smart Timer mobile app. Whether it's from the couch or across the continent Ascend Smart keep users in control. Program schedules, manually adjust ON/OFF settings and view the status of programs from any smartphone or tablet.

Voice- Just say the word. Pair the Ascend Smart In-Wall Timer with voice assistant platforms, such as Amazon Alexa and the Google Assistant, to take your home to exciting new heights. The tech-forward feature allows homeowners to control Ascend through voice-activated commands without skipping a beat.

In-Wall Timers

7-Day Programmable Timers



ST01



White



Ivory



Light Almond



EI600 Series & ST01 Series

HEAVY-DUTY 7-DAY PROGRAMMABLE TIMERS

Highly versatile Heavy-Duty Timers are ideal for any application that requires a simple or complex ON/OFF schedule, regardless of load. No neutral connection is required.

APPLICATIONS

• Indoor Lighting Control • Air Movement & Ventilation • Outdoor Lighting Control

FEATURES

- Versatile 7-day programmable schedules with up to 40 ON/OFF events
- Astronomic clock feature determines dawn and dusk times
- Automatic Daylight Saving Time (DST) adjustment
- Random mode varies ON/OFF schedule to provide a "lived-in" appearance
- Single or 3-way switch compatible installation
- Incandescent/fluorescent/CFL/LED compatible
- Isolated switch allows timer to be used with any load type, including AC and DC loads
- Replaceable CR2 lithium battery provides up to three years of operation
- No neutral wire connection enables easy retrofitting and quicker installation
- Decorator switch plate not included

| Ratings | |
|--------------------------------------|--|
| Input Voltage | 120-277 VAC, 50/60 Hz |
| Resistive (Heater) | |
| ST01 | 15 A, 1800-4155 W, 120-277 VAC |
| EI600 | 20 A, 2400-5540 W, 120-277 VAC |
| Tungsten (Incandescent) | 1800 W, 120 VAC; 1248-1662 W, 208-277 VAC |
| Ballast (Fluorescent) (EI600) | 16 A, 1920-4432 VA, 120-277 VAC |
| DC Loads | 4 A, 12 VDC; 2 A, 28 VDC |
| Motor | 1 HP, 120 VAC, 50/60 Hz; 2 HP, 240 VAC, 50/60 Hz |
| Dimensions H x W x D | 4.125" x 1.75" x 1.8125" (104.8 mm x 44.5 mm x 46 mm) |
| Neutral Required | No |
| Operating Temperature | 32°F - 104°F (0°C - 40°C) |
| Warranty | |
| ST01 | 1-Year limited |
| EI600 | 5-Year limited |

Note: Not for use with sunlamps, saunas, or loads that could cause personal injury if timed incorrectly.

| White | Ivory | Light Almond | Max Load Handling Capability |
|----------------|---------------|-----------------|------------------------------|
| EI600WC | EI600C | EI600LAC | 20 A |
| ST01 | - | ST01A | 15 A |

Note: For use with standard decorator plate, not included.

7-DAY/24-HOUR TIMER APPLICATIONS

- Entryway lighting • Deck and landscape light controls • Attic fans • Pumps
- Small commercial – signage and store lighting • Hallway lighting



EI500 Series

STANDARD 7-DAY PROGRAMMABLE TIMERS - 15 A

For installation on 15 A circuits, this timer provides 24-hour or 7-day programming of lights, fans, pumps and other medium-duty loads.

APPLICATIONS

• Indoor Lighting Control • Air Movement & Ventilation • Outdoor Lighting Control

FEATURES

- 7-day programmable schedules with 14 ON/OFF events
- Random mode varies ON/OFF schedule to provide a "lived-in" appearance
- Single-pole circuit
- Incandescent/fluorescent/CFL/LED compatible
- Built-in rechargeable, non-serviceable battery backup
- Requires neutral connection
- Backlit LCD display

| White | Ivory | Light Almond |
|---------|--------|--------------|
| EI500WC | EI500C | EI500LAC |

Note: For use with standard decorator plate, not included.



White



Ivory



Light Almond



EI500WC



| Ratings | |
|---------------------------------|--|
| Input Voltage | 125 VAC, 60 Hz |
| Resistive (Heater) | 15 A, 1875 W |
| Tungsten (Incandescent) | 1000 W |
| Ballast (Fluorescent) | 8 A, 1000 VA |
| Electronic Ballast (LED) | 4 A, 500 VA |
| Motor | 1/4 HP, 125 VAC, 60 Hz |
| Dimensions H x W x D | 4.125" x 1.75" x 1.4375" (104.8 mm x 44.5 mm x 36.5 mm) |
| Neutral Required | Yes |
| Operating Temperature | 32°F - 104°F (0°C - 40°C) |
| Warranty | 1-Year limited |

Note: Not for use with sunlamps, saunas, or loads that could cause personal injury if timed incorrectly.

EJ600 Series

STANDARD 7-DAY PROGRAMMABLE TIMERS - 12 A

A 12 A rated timer that provides full 7-day programming capabilities with dusk-to-dawn functionality, ideal for use with medium to low power loads.

APPLICATIONS

• Indoor Lighting Control • Air Movement & Ventilation • Outdoor Lighting Control

FEATURES

- 7-day programmable schedules with 14 ON/OFF events
- Astronomic clock feature determines dawn and dusk times
- Automatic Daylight Saving Time (DST) adjustment
- Random mode varies ON/OFF schedule to provide a "lived-in" appearance
- Single or 3-way switch compatible installation
- Incandescent/fluorescent compatible
- Built-in rechargeable, non-serviceable battery backup
- Requires neutral connection

| White | Light Almond |
|-------|--------------|
| EJ600 | EJ600A |

Note: For use with standard decorator plate, not included.



White



Light Almond



EJ600



| Ratings | |
|--------------------------------|--|
| Input Voltage | 120 VAC, 60 Hz |
| Resistive (Heater) | 12 A, 1440 W |
| Tungsten (Incandescent) | 1440 W, multi-gang, 1800 W, single-gang |
| Ballast (Fluorescent) | 4 A, 500 VA |
| Motor | 1/2 HP |
| Dimensions H x W x D | 4.125" x 1.75" x 1.4375" (104.8 mm x 44.5 mm x 36.5 mm) |
| Neutral Required | Yes |
| Operating Temperature | 32°F - 104°F (0°C - 40°C) |
| Warranty | 1-Year limited |

Note: Not for use with sunlamps, saunas, or loads that could cause personal injury if timed incorrectly.

In-Wall Timers

24-Hour Programmable Timers



E1010



E1020

E1000 Series

HEAVY DUTY MECHANICAL IN-WALL TIMERS - 15 A

These Heavy-Duty In-Wall Timers are ideal for turning on lights, fans, pumps and other heavy duty loads for energy savings, security and convenience. The timer provides up to 12 ON and 12 OFF operations per day.

APPLICATIONS

- Air Movement & Ventilation • Indoor Lighting Control • Outdoor Lighting Control

FEATURES

- E1010 includes one ON/OFF permanently attached tripper for single ON/OFF control per 24-hour period
- E1020 includes two ON/OFF trippers and can accommodate up to 12 ON/OFF trippers
- Programmable in 30-minute intervals
- Turns ON/OFF heavy-duty loads for energy savings, security and convenience
- Mounts to any standard junction box
- Requires neutral connection



| Ratings | |
|------------------------------|--|
| Input Voltage | 125 VAC, 60 Hz |
| Resistive (Heater) | 15 A, 125 VAC, 60 Hz |
| Motor | 12 FLA, 125 VAC, 60 Hz |
| Dimensions H x W x D | 4.25" x 3.25" x 1.375" (108 mm x 82.6 mm x 34.9 mm) |
| Neutral Required | Yes |
| Operating Temperature | -4°F - 77°F (-20°C - 25°C) |
| Warranty | 1-Year limited |

Note: Not for use with sunlamps, saunas, or loads that could cause personal injury if timed incorrectly.

| Model # | Description |
|--------------|--|
| E1010 | 24-Hour Heavy-Duty Mechanical In-Wall Timer, 125VAC, 15 A, Permanent Trippers, White |
| E1020 | 24-Hour Heavy-Duty Mechanical In-Wall Timer, 125VAC, 15 A, Removable Trippers, White |

HEAVY DUTY MECHANICAL TIMER APPLICATIONS

- Attic Fans • Deck Light Controls • Entryway Lighting • Hallway Lighting • Landscape Light Controls
- Pumps • Small Commercial Signage • Store Lighting



KM2 Series

HEAVY-DUTY MECHANICAL IN-WALL TIMERS - 20 A

For installing on circuits up to 20 A, this timer provides automatic 24-hour ON/OFF control of outdoor/indoor lighting, fans, pumps, office equipment and other types of loads.

APPLICATIONS

• Indoor Lighting Control • Air Movement & Ventilation • Outdoor Lighting Control

FEATURES

- 72 trippers provide 36 ON/OFF events per 24-hour period
- Captive trippers with 20-minute switching intervals
- 3-way (SPDT) switch available
- 3-position ON/OFF/AUTO override provides continuous ON or OFF operation
- Reliable synchronous timer motor
- Multiple wall plates available
- Easy wiring and installation
- Heavy-Duty 20 A rating
- Requires neutral connection

| Model # | Wall Plate Configuration |
|------------------|---------------------------------|
| SPST | |
| KM2ST-1G | Timer Only |
| KM2ST-2G | Timer + Toggle Switch 2-Gang |
| KM2ST-3G | Timer + Toggle Switch 3-Gang |
| KM2ST-2D | Timer + Decorator Switch 2-Gang |
| SPDT | |
| KM2STU-1G | Timer Only |



| Ratings | |
|------------------------------|------------------------------|
| Input Voltage | 120 VAC, 60 Hz |
| Resistive (Heater) | 20 A, 120 VAC, 60 Hz |
| Motor | 1 HP, 120 VAC, 60 Hz |
| Neutral Required | Yes |
| Wiring Terminals | |
| SPST | SPST (3) #14 AWG color coded |
| SPDT | SPDT (4) #14 AWG color coded |
| Operating Humidity | 0 to 95%, Non-condensing |
| Operating Temperature | -40°F - 180°F (-40°C - 82°C) |
| Warranty | 1-Year limited |

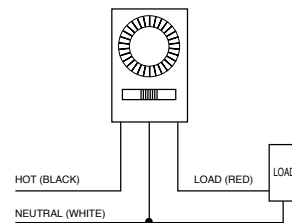
Note: Not for use with sunlamps, saunas, or loads that could cause personal injury if timed incorrectly.



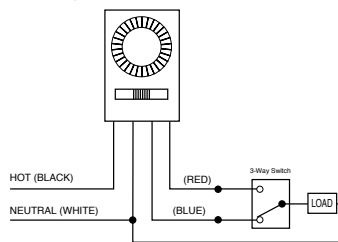
KM2ST-1G

WIRING DIAGRAMS

Standard Installation



3-Way Installation



Timer Toggle Switch Plate



2-Gang

3-Gang



4-Gang

Timer and Decorator Switch Plate



2-Gang

3-Gang

Timer and Receptacle Plate



2-Gang

In-Wall Timers

Electronic Countdown Timers



EI400WC



White



Ivory



Light Almond

EI400 Series

PROGRAMMABLE ELECTRONIC COUNTDOWN TIMER

Offering a programmable countdown time between one second and 24 hours, this versatile timer can handle any application, regardless of load type. No neutral connection is required.

APPLICATIONS

- Indoor Lighting Control - Air Movement & Ventilation

FEATURES

- Programmable countdown time interval from one second to 24 hours
- Settings stored in non-volatile memory
- Optional audible and/or visual warning of impending load switch OFF
- Lockable settings help avoid unintended changes
- Single-pole or 3-way switch compatible installation
- Incandescent/fluorescent/CFL/LED compatible
- Isolated switch allows timer to be used with any load type including AC and DC loads
- Replaceable CR2 lithium battery provides up to three years of operation
- No neutral wire connection enables easy retrofitting and quicker installation
- 24-hour programming allows for continuous operation
- Decorator switch plate not included



| Ratings | |
|--------------------------------|--|
| Input Voltage | 120-277 VAC, 50/60 Hz |
| Resistive (Heater) | 20 A, 2400-5540 W, 120-277 VAC |
| Tungsten (Incandescent) | 1800 W, 120 VAC; 1248-1662 W, 208-277 VAC |
| DC Loads | 4 A, 12 VDC; 2 A, 28 VDC |
| Motor | 1 HP, 120 VAC, 50 Hz, 1 HP, 120 VAC, 60 Hz, 2 HP, 240 VAC, 50 Hz, 2 HP, 240 VAC, 60 Hz |
| Dimensions H x W x D | 4.125" x 1.75" x 1.1875" (104.8 mm x 44.5 x 30.2 mm) |
| Neutral Required | No |
| Operating Temperature | 32°F - 122°F (0°C - 50°C) |
| Warranty | 5-Year limited |

Note: Not for use with sunlamps, saunas, or loads that could cause personal injury if timed incorrectly.

| White | Ivory | Light Almond |
|---------|--------|--------------|
| EI400WC | EI400C | EI400LAC |

Note: For use with standard decorator plate, not included.

COUNTDOWN TIMER APPLICATIONS

- Bathroom fans • Spas • Hot tubs • Storage closets • Garage lights



EI200 Series

ELECTRONIC COUNTDOWN TIMERS WITH PRESET TIMES

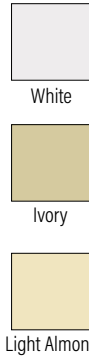
This timer requires no programming; preset countdown times are activated by pressing a single button. Silent operation makes this timer ideal for applications where the noise of mechanical countdown timers is of concern.

APPLICATIONS

• Indoor Lighting Control • Air Movement & Ventilation

FEATURES

- Provides silent operation in time ranges from five minutes to 12 hours
- Single-button time selection, with some models having a HOLD mode, for continuous ON operation
- Replaces single-pole switches in a variety of applications
- Incandescent/fluorescent/CFL/LED compatible
- For use with decorator-style wall plate (not included)
- Requires neutral connection



Without HOLD
EI215W



With HOLD
EI200W

| White | Ivory | Light Almond | Preset Times |
|---------------------|-------|--------------|-------------------------------------|
| Without HOLD | | | |
| EI205W | - | EI205LA | 5 min, 15 min, 30 min, 45 min, 1 hr |
| EI215W | - | - | 15 min, 30 min, 1 hr, 2 hrs, 4 hrs |
| EI235W | - | - | 15 min, 30 min, 45 min, 1 hr, 2 hrs |
| With HOLD | | | |
| EI200W | EI200 | EI200LA | 5 min, 10 min, 15 min, 30 min |
| EI210W | EI210 | EI210LA | 10 min, 20 min, 30 min, 60 min |
| EI220W | - | - | 1 hr, 2 hrs, 4 hrs, 8 hrs |
| EI230W | - | - | 2 hrs, 4 hrs, 8 hrs, 12 hrs |



| Ratings | |
|--------------------------|---|
| Input Voltage | 120 VAC, 60 Hz |
| Resistive (Heater) | 15 A, 1800 W |
| Tungsten (Incandescent) | 1000 W |
| Ballast (Fluorescent) | 8 A, 1000 VA |
| Electronic Ballast (LED) | 4 A, 500 VA |
| Motor | 1/4 HP |
| Dimensions H x W x D | 4.125" x 1.688" x 1.438" (104.8 mm x 42.93 mm x 36.5 mm) |
| Neutral Required | Yes |
| Operating Temperature | 32°F- 104°F (0°C - 40°C) |
| Warranty | 1-Year limited |

Note: Not for use with sunlamps, saunas, or loads that could cause personal injury if timed incorrectly.

In-Wall Timers

Mechanical Spring Wound Countdown Timers



Without HOLD
FD60MWC



With HOLD
FD6HHW



White



Ivory



Light Almond

FD Series

SPRING WOUND COUNTDOWN TIMERS - DECORATOR STYLE

The FD Series Decorator Countdown Timers are designed to replace any standard or decorator style wall switch, single- or multi-gang. These mechanical timers do not require electricity to operate. They automatically limit the ON times for fans, lighting, motors, heaters and other energy consuming loads.

APPLICATIONS

- Indoor Lighting Control • Outdoor Lighting Control • Motor Control
- Air Movement & Ventilation

FEATURES

- No electricity required to operate
- Replaces any standard or decorator single- or multi-gang wall switch
- Automatically limits ON time for energy consuming loads
- Quick and easy installation
- Time-saving up front terminal connection with teeter-type terminals
- Models available from 5 minute to 12 hour countdown time intervals
- Incandescent/fluorescent/CFL/LED compatible
- No neutral connection is required



| Ratings | |
|--------------------------------|---|
| Input Voltage | 125-277 VAC, 50/60 Hz |
| Resistive (Heater) | 20 A, 2500 W, 125 VAC; 10 A, 2500 W, 250 VAC; 10 A, 2770 W, 277 VAC |
| Tungsten (Incandescent) | 7 A, 125 VAC, 50 Hz, 7 A, 125 VAC, 60 Hz, 875 W |
| Motor | 1 HP, 125 VAC; 2 HP, 250 VAC |
| Dimensions H x W x D | 4.125" x 1.75" x 1.25" (104.8 mm x 44.5 mm x 31.8 mm) |
| Neutral Required | No |
| Operating Temperature | 32°F - 104°F (0°C - 40°C) |
| Warranty | 1-Year limited |

Note: Not for use with sunlamps, saunas, or loads that could cause personal injury if timed incorrectly.

| Without HOLD | | | With HOLD | | Maximum Time | Switch Type |
|----------------------------------|--------|--------------|-----------|--------|--------------|--|
| White | Ivory | Light Almond | White | Ivory | | |
| SPST | | | | | | |
| FD5MW | FD5M | - | - | - | 5 min | <p>SPST Configuration</p> |
| FD15MWC | FD15MC | FD15MAC | FD15MHW | - | 15 min | |
| FD30MWC | FD30MC | FD30MAC | FD30MHW | FD30MH | 30 min | |
| FD60MWC | FD60MC | FD60MAC | FD60MHW | FD60MH | 60 min | |
| FD2HW | FD2H | - | - | - | 2 hrs | |
| FD4HW | FD4H | - | - | - | 4 hrs | |
| FD6HW | FD6H | - | FD6HHW | FD6HH | 6 hrs | |
| FD12HWC | FD12HC | - | FD12HHW | FD12HH | 12 hrs | |
| 2-Circuit (1) NO + (1) NC | | | | | | |
| FD32HW | FD32H | - | - | - | 2 hrs | <p>*For SPST Configuration Jumper L1 & L2 Together</p> |
| - | FD34H | - | - | - | 4 hrs | |
| DPST | | | | | | |
| - | FD415M | - | - | - | 15 min | <p>DPST Configuration</p> |
| FD430MW | FD430M | - | - | - | 30 min | |
| FD460MW | - | - | - | - | 60 min | |
| FD46HW | - | - | - | - | 6 hrs | |

*Note: For use with decorator or toggle-style switch plates (not included).
For accessories please see page 73.*

FF Series

SPRING WOUND COUNTDOWN TIMERS - COMMERCIAL STYLE

The FF Series Commercial Countdown Timers are designed to replace any standard wall switch and do not require electricity to operate. These energy-efficient switches automatically limit the ON times for fans, lighting, motors, heaters, and other energy consuming loads. A commercial "brushed metal" look plate (plastic construction) meets NEC requirements.

APPLICATIONS

- Indoor Lighting Control • Outdoor Lighting Control • Motor Control
- Air Movement & Ventilation

FEATURES

- No electricity required to operate
- Replaces any standard or decorator single-gang wall switch
- Automatically limits ON time for energy consuming loads
- Quick and easy installation
- Time-saving up front terminal connection with teeter-type terminals
- Brushed metal look switch plate meets NEC requirements (plate is included)
- Incandescent/fluorescent/CFL/LED compatible
- No neutral connection is required



Without HOLD
FF5M



With HOLD
FF6HH

| Without HOLD | With HOLD | Maximum Time | Switch Type |
|--------------|-----------|--------------|--|
| SPST | | | |
| FF5M | FF5MH | 5 min | <p>SPST Configuration</p> |
| FF15MC | FF15MH | 15 min | |
| FF30MC | FF30MH | 30 min | |
| FF60MC | FF60MHC | 60 min | |
| FF2H | - | 2 hrs | |
| FF4H | - | 4 hrs | |
| FF6H | FF6HH | 6 hrs | |
| FF12HC | FF12HHC | 12 hrs | |
| SPDT | | | |
| FF315M | - | 15 min | <p>*For SPDT Configuration Jumper L1 & L2 Together</p> |
| FF330M | - | 30 min | |
| FF360M | - | 60 min | |
| FF32H | FF32HH | 2 hrs | |
| FF34H | FF34HH | 4 hrs | |
| FF36H | - | 6 hrs | |
| FF312H | FF312HH | 12 hrs | |
| DPST | | | |
| FF415M | - | 15 min | <p>DPST Configuration</p> |
| FF430M | - | 30 min | |
| FF460M | - | 60 min | |
| FF46H | - | 6 hrs | |
| FF412H | - | 12 hrs | |

For accessories please see page 73.



| Ratings | |
|--------------------------------|---|
| Input Voltage | 125-277 VAC, 50/60 Hz |
| Resistive (Heater) | 20 A, 2500 W, 125 VAC; 10 A, 2500 W, 250 VAC; 10 A, 2770 W, 277 VAC |
| Tungsten (Incandescent) | 7 A, 125 VAC, 50 Hz, 7 A, 125 VAC, 60 Hz, 875 W |
| Motor | 1 HP, 125 VAC; 2 HP, 250 VAC |
| Dimensions H x W x D | 4.125" x 1.75" x 1.25" (104.8 mm x 44.5 mm x 31.8 mm) |
| Neutral Required | No |
| Operating Temperature | 40°F - 120°F (4°C - 49°C) |
| Warranty | 1-Year limited |

Note: Not for use with sunlamps, saunas, or loads that could cause personal injury if timed incorrectly.

CHOOSE THE RIGHT IN-WALL TIMER FOR YOUR NEXT PROJECT

From input voltage to motor load, this chart highlights the key features and ratings of our in-wall solutions.

| | Series | | | | | | | |
|---|-------------------|---|---|---|----------------|----------------|---|---|
| | ST700 | EI600 | ST01 | EJ600 | EI500 | KM2 | FD | FF |
| FEATURES | | | | | | | | |
| NEUTRAL REQUIRED | | | | | | | | |
| WI-FI WITH APP | STW700W | | | | | | | |
| CONTROLS CFL | | | | | | | | |
| CONTROLS LED | | | | | | | | |
| 3-WAY SWITCHING | | | | | | KM2STU-1G | | |
| RATINGS | | | | | | | | |
| INPUT VOLTAGE | 120 VAC, 50/60 Hz | 120-277 VAC, 50/60 Hz; 12/28 VDC | 120-277 VAC, 50/60 Hz; 12/28 VDC | 120 VAC, 60 Hz | 125 VAC, 60 Hz | 120 VAC, 60 Hz | 125-277 VAC, 50/60 Hz | 125-277 VAC, 50/60 Hz |
| RESISTIVE (HEATER), AC | 15 A | 20 A | 15 A | 12 A | 15 A | 20 A | 20 A, 2500 W, 125 VAC; 10 A, 2500 W, 250 VAC; 10 A, 2770 W, 277 VAC | 20 A, 2500 W, 125 VAC; 10 A, 2500 W, 250 VAC; 10 A, 2770 W, 277 VAC |
| TUNGSTEN (INCANDESCENT) | 960 W | 1800 W, 120 VAC; 1248-1662 W, 208-277 VAC | 1800 W, 120 VAC; 1248-1662 W, 208-277 VAC | 1800 W, Single-Gang; 1440 W, Multi-Gang | 1000 W | 1350 W | 7 A, 125 VAC, 50 Hz, 7 A, 125 VAC, 60 Hz, 875 W | 7 A, 125 VAC, 50 Hz, 7 A, 125 VAC, 60 Hz, 875 W |
| BALLAST (FLUORESCENT) | | 16 A, 1920-4432 VA | 8 A, 960 VA, 120 VAC; 4 A, 832-1108 VA, 208-277 VAC | 4 A, 500 VA | 8 A, 1000 VA | | | |
| ELECTRONIC BALLAST (LED) | 5 A, 600 W | | | | 4 A, 500 W | | | |
| DC LOADS | | 4 A, 12 VDC; 2 A, 28 VDC | 4 A, 12 VDC; 2 A, 28 VDC | | | | | |
| MOTOR LOAD | 1 HP | 1 HP, 120 VAC; 2 HP, 240 VAC | 1 HP, 120 VAC; 2 HP, 204 VAC | 1/2 HP | 1/4 HP | 1 HP | 1 HP, 125 VAC; 2 HP, 250 VAC | 1 HP, 125 VAC; 2 HP, 250 VAC |
| WARRANTY | 3-Year limited | 5-Year limited | 1-Year limited | 1-Year limited | 1-Year limited | 1-Year limited | 1-Year limited | 1-Year limited |
| AGENCY | | | | | | | | |
| BATTERY | | | | | | | | |
| RECHARGEABLE | | | | | | | | |
| REPLACEABLE | | | | | | | | |
| SCHEDULES STORED IN NON-VOLATILE MEMORY | | | | | | | | |
| PROGRAMMING | | | | | | | | |
| ASTRONOMIC | | | | | | | | |
| DAYLIGHT SAVING TIME | | | | | | | | |
| RANDOM | | | | | | | | |
| PROGRAM RANGE | 7-Day | 7-Day | 7-Day | 7-Day | 7-Day | 24-Hour | 5-Minutes to 6-Hours | 5-Minutes to 6-Hours |
| MAXIMUM NUMBER OF EVENTS | 42 | 40 | 40 | 14 | 14 | 36 | 1 | 1 |

IN-WALL TIMER ACCESSORIES

| Model # | Description |
|-------------------|---|
| 107SB189 | Red (ON) tripper for SB Series, HB112C, HB113C, HB114C (Indoor), AL300RTW, AL600TW, AL900TW, AL60TW and ML Series Transformer Timers |
| 107SB192 | Black (OFF) tripper for SB Series, HB112C, HB113C, HB114C (Indoor), AL300RTW, AL600TW, AL900TW, AL60TW and ML Series Transformer Timers |
| 146--00045 | Knob-Wall Switch FD Series - Ivory |
| 146--00046 | Knob-Wall Switch FD Series - White |
| 146--00047 | Knob-Wall Switch FD Series - Almond |
| 146MT577 | Knob-Wall Switch FF Series - White |
| 146MT579 | Knob-Wall Switch FF Series - Black |
| 148FD5024 | Plate for 5-Min with HOLD (FF5MH) |
| 148FD5025 | Plate for 5-Min without HOLD (FF5M) |
| 148FD5029 | Plate for 60-Min with HOLD (FF60MHC) |
| 148FD5030 | Plate for 6-Hr without HOLD (FF36H, FF46H, FF6H) |
| 148FD5031 | Plate for 6-Hr with HOLD (FF6HH) |
| 148FD5032 | Plate for 12-Hr without HOLD (FF12HC, FF312H, FF412H) |
| 148FD5033 | Plate for 12-Hr with HOLD (FF12HHC, FF312HH) |
| 148FD5034 | Plate for 2-Hr without HOLD (FF2H, FF32H) |
| 148FD5035 | Plate for 2-Hr with HOLD (FF32HH) |
| 148FD5036 | Plate for 4-Hr without HOLD (FF34H, FF4H) |
| 148FD5037 | Plate for 4-Hr with HOLD (FF34HH) |
| 148FD5038 | Plate for 30-Min with HOLD (FF30MH) |
| 148FD5039 | Plate for 15-Min with HOLD (FF15MH) |
| 148FD5052 | Plate for 5-Min without HOLD, White (FD5MW) |
| 148FD5054 | Plate for 15-Min with HOLD, White (FD15MHW) |
| 148FD5056 | Plate for 30-Min with HOLD, White (FD30MHW) |
| 148FD5058 | Plate for 60-Min with HOLD, White (FD60MHW) |
| 148FD5059 | Plate for 6-Hr without HOLD, White (FD46HW, FD6HW) |
| 148FD5060 | Plate for 6-Hr with HOLD, White (FD6HHW) |
| 148FD5061 | Plate for 12-Hr without HOLD, White (FD12HWC) |
| 148FD5062 | Plate for 12-Hr with HOLD, White (FD12HHW) |
| 148FD5063 | Plate for 2-Hr without HOLD, White (FD2HW, FD32HW) |

| Model # | Description |
|-------------------|--|
| 148FD5064 | Plate for 5-Min without HOLD, Ivory (FD5M) |
| 148FD5068 | Plate for 30-Min with HOLD, Ivory (FD30MH) |
| 148FD5070 | Plate for 60-Min with HOLD, Ivory (FD60MH) |
| 148FD5071 | Plate for 6-Hr without HOLD, Ivory (FD36H, FD46H, FD6H) |
| 148FD5072 | Plate for 6-Hr with HOLD, Ivory (FD6HH) |
| 148FD5073 | Plate for 12-Hr without HOLD, Ivory (FD12HC) |
| 148FD5074 | Plate for 12-Hr with HOLD, Ivory (FD12HH) |
| 148FD5075 | Plate for 2-Hr without HOLD, Ivory (FD2H, FD32H) |
| 148FD5076 | Plate for 4-Hr without HOLD, Ivory (FD34H, FD4H) |
| 148FD5077 | Plate for 15-Min without HOLD, Light Almond (FD15MAC) |
| 148FD5078 | Plate for 30-Min without HOLD, Light Almond (FD30MAC) |
| 148FD5079 | Plate for 60-Min without HOLD, Light Almond (FD60MAC) |
| 148FD5080 | Plate for 4-Hr without HOLD, White (FD34HW, FD4HW) |
| 156EB1945A | Trippers for E1020 (Pack of 2) |
| 24--00041 | Wall Plate for KM2ST-2G, 2 Gang (Timer and Toggle Switch), White |
| 24--00042 | Wall Plate for KM2ST-3G, 3 Gang (Timer and 2 Toggle Switches), White |
| 24--00046 | Wall Plate for KM2ST-2D, 2 Gang (Timer and Decorator Switch), White |
| 24--00109 | Wall Plate for KM2ST-1G or KM2STU-1G, Single Gang, White |
| FD15MP | Plate for 15-Min without HOLD, Ivory (FD15MC, FD415M) |
| FD15MPW | Plate for 15-Min without HOLD, White (FD15MWC) |
| FD30MP | Plate for 30-Min without HOLD, Ivory (FD30MC, FD430M) |
| FD30MPW | Plate for 30-Min without HOLD, White (FD30MWC, FD430MW) |
| FD60MP | Plate for 60-Min without HOLD, Ivory (FD460M, FD60MC) |
| FD60MPW | Plate for 60-Min without HOLD, White (FD460MW, FD60MWC) |
| FF15MP | Plate for 15-Min without HOLD, Silver (FF15MC, FF315M, FF415M) |
| FF30MP | Plate for 30-Min without HOLD, Silver (FF30MC, FF330M, FF430M) |
| FF60MP | Plate for 60-Min without HOLD, Silver (FF360M, FF460M, FF60MC) |



146--00045



148FD5038



146MT577



FF60MP



107SB189



107SB192



146--00046



146--00047

Plug-In Timer Solutions

Install energy savings in an instant with our convenient plug-in timer solutions. These user-friendly mechanical and electronic controls make it easy to create ON/OFF schedules for lights, pumps, fans and more.



Indoor Convenience

Connect our plug-in timers to lamps, fans, air conditioners and more to add an extra level of comfort to everyday. They can be installed in minutes and make it easy to create daily or weekly ON/OFF schedules.

Holiday Lighting

Take holiday decorating to the next level with our versatile plug-in timers. Once installed, users can enjoy lighting displays on fixed ON/OFF schedule without the hassle of plugging decorations into the wall or flipping the switch on a power strip.



Heavy-Duty Appliances

Handle input voltages of up to 240 VAC with our selection of heavy-duty plug-in timers. These durable controls are perfect to pair with air conditioners and ventilation equipment.



Rugged Outdoor Control

Take command of ON/OFF schedules in outdoor settings with a variety of outdoor plug-in timers. Select models offer a built-in enclosure, which protects the control from the elements and supports year-round use.



Contents

| | |
|---------------|----|
| Indoor | 76 |
| Outdoor | 78 |

Additional Solutions and Resources

Ready to get started? Scan the QR code to the right for a variety of helpful resources, including sell sheets, product instructions, installation videos and more.



Plug-In Timer

Indoor



HB110 Series



HB112



HB113



HB114

HB110 Series

INDOOR HEAVY-DUTY APPLIANCE PLUG-IN TIMERS

Plug-in timers provide 24-hour ON/OFF scheduling for high power appliances, such as window mounted air conditioners, by accepting their specialized NEMA plugs.

APPLICATIONS




- Air Movement & Ventilation • Indoor Lighting Control

FEATURES

- 2 ON/2 OFF settings per day with removable trippers, more ON/OFF events with addition of extra trippers
- Minimum 30-min ON/OFF time
- Manual ON/OFF Override
- Grounded 125 and 240 V NEMA receptacle and plug
- Plugs directly into wall outlet



| Ratings | |
|-----------------------------------|------------------------|
| Input Voltage | |
| HB113 | 120 VAC, 60 Hz |
| HB112, HB114 | 240 VAC, 60 Hz |
| Resistive (Heater) | |
| HB112 | 15 A, 240 VAC, 60 Hz |
| HB113 | 20 A, 125 VAC, 60 Hz |
| HB114 | 20 A, 240 VAC, 60 Hz |
| Tungsten (Incandescent) | 1250 W, 125 VAC, 60 Hz |
| Inductive Ballast (Heater) | |
| HB113 | 8 A, 125 VAC, 60 Hz |
| HB112, HB114 | 8 A, 240 VAC, 60 Hz |
| Pilot Duty | |
| HB113 | 576 VA, 125 VAC, 60 Hz |
| HB112, HB114 | 768 VA, 240 VAC, 60 Hz |
| Motor | |
| HB113 | 2 HP, 240 VAC, 60 Hz |
| HB112, HB114 | 2 HP, 240 VAC, 60 Hz |
| Warranty | 1-Year limited |

| Model # | Input Voltage | Rect/Plug |
|---------|----------------|--|
| HB112 | 240 VAC, 60 Hz | 6-15  |
| HB113 | 120 VAC, 60 Hz | 5-20  |
| HB114 | 240 VAC, 60 Hz | 6-20  |

Indoor Applications

- Lamps • Appliances • Electronics • Heaters • Window Air Conditioning • Chargers



TN311 Series

HEAVY-DUTY 24-HOUR INDOOR MECHANICAL PLUG-IN TIMER

The TN311 Series provides a quick and easy way to automate ON/OFF schedules and plugs directly into standard wall outlets.

APPLICATIONS

- Air Movement & Ventilation • Indoor Lighting Control

FEATURES

- 3 ON/3 OFF settings per day with removable trippers, more ON/OFF events with addition of extra trippers
- Minimum 30-min ON/OFF time
- Grounded receptacle and 3-prong plug
- Plugs directly into wall outlet

| Model # | Input Voltage | Rect/Plug |
|---------|----------------|--|
| TN311 | 125 VAC, 60 Hz | 5-15  |



TN311



| Ratings | |
|--|---|
| Input Voltage | 125 VAC, 60 Hz |
| Resistive (Heater) | 15 A, 125 VAC, 60 Hz |
| Tungsten (Incandescent) | 1875 W, 125 VAC, 60 Hz |
| Inductive Ballast (Fluorescent) | 15 A, 125 VAC |
| Dimensions H x W x D | 3 1/8" x 3" x 2" (79 mm x 76 mm x 51 mm) |
| Warranty | 1-Year limited |

DT620 Series

7-DAY INDOOR DIGITAL PLUG-IN TIMER

Full feature plug-in timer provides full 7-day programming with astronomical clock and Daylight Saving Time (DST) adjustment in a convenient plug-in for quick and easy automation.

APPLICATIONS

- Air Movement & Ventilation • Indoor Lighting Control


FEATURES

- 28 ON/OFF programmable events
- Full 7-day programming options, including astronomical clock, automatic DST adjustment and random mode
- Two grounded receptacles and a grounded plug
- LR44 battery backup (included)
- Plugs directly into wall outlet



DT620



| Model # | Input Voltage | Rect/Plug |
|---------|----------------|--|
| DT620 | 120 VAC, 60 Hz | 5-15  |

| Ratings | |
|--|---|
| Input Voltage | 120 VAC, 60 Hz |
| Resistive (Heater) | 15 A, 120 VAC |
| Tungsten (Incandescent) | 1000 W, 120 VAC |
| Inductive Ballast (Fluorescent) | 12 A, 120 VAC |
| Motor | 1/2 HP, 120 VAC |
| Dimensions H x W x D | 3 1/8" x 3 1/8" x 2 1/4" (81 mm x 84 mm x 57 mm) |
| Warranty | 1-Year limited |

Plug-In Timer

Outdoor

Plug-In Timer



| Ratings | |
|--------------------------------|---|
| Input Voltage | 120 VAC, 60 Hz |
| Resistive (Heater) | 20 A, 120 VAC, 60 Hz |
| Tungsten (Incandescent) | 1800 W, 120 VAC, 60 Hz |
| Motor | 1 HP, 16 FLA, 96 LRA @ 120 VAC |
| Dimensions H x W x D | |
| P1101, P1131 | 5 3/8" x 5 1/2" x 2 1/2" (137 mm x 130 mm x 64 mm) |
| P1121 | 5 3/8" x 3 3/8" x 3 1/4" (143 mm x 92 mm x 83 mm) |
| Warranty | 1-Year limited |

P1100 Series

OUTDOOR MECHANICAL PLUG-IN TIMERS WITH BUILT-IN ENCLOSURE

These plug-in timers are grounded and utilize a flip-open enclosure rated for outdoor use. These heavy-duty timers are great for providing timer function to pumps, landscaping or holiday lighting. 24-hour timers come with 2 On and 2 Off settings.

APPLICATIONS

- Outdoor Lighting Control • Landscape Water Control • Pool Pump
- Outdoor Water Fountains

FEATURES

- 2 ON/2 OFF settings per day with removable trippers, more ON/OFF events with addition of extra trippers
- Minimum 30-min ON/OFF time
- Built into outdoor rated enclosure with clear or black flip cover
- Grounded standard or locking type style NEMA plug and receptacle
- Plugs directly into wall outlet

| Model # | Input Voltage | Rcpt/Plug | Cord Length | Cover |
|--------------|----------------|-----------|-------------|-------|
| P1101 | 120 VAC, 60 Hz | 5-15 | 22" | Black |
| P1121 | 120 VAC, 60 Hz | 5-15 | 13" | Black |
| P1131 | 120 VAC, 60 Hz | L5-20 | 22" | Black |



TN111RM40



1x



| Ratings | |
|--|---|
| Input Voltage | 125 VAC, 60 Hz |
| Resistive (Heater) | 9 A (1125 W), 125 VAC, 60 Hz |
| Inductive Ballast (Fluorescent) | 9 A, 125 VAC, 60 Hz |
| Motor | 1/3 HP |
| Dimensions H x W x D | 3 1/8" x 3" x 2" (79 mm x 76 mm 51 mm) |
| Warranty | 1-Year limited |

TN111RM40

24-HOUR OUTDOOR MECHANICAL PLUG-IN TIMER

Plug-in timer rated for installation into a Type 3R outdoor low voltage transformer enclosure. Simple implementation of ON/OFF schedule.

APPLICATIONS

- Air Movement & Ventilation • Indoor Lighting Control • Outdoor Lighting Control
- Landscape Water Control

FEATURES

- 2 ON/2 OFF settings per day with removable trippers, more ON/OFF events with addition of extra trippers
- Minimum 30-min ON/OFF time
- Rated for outdoor use in a Type 3R outdoor enclosure
- Manual override dial

| Model # | Input Voltage | Rcpt/Plug |
|------------------|----------------|-----------|
| TN111RM40 | 125 VAC, 60 Hz | 1-15 |

Outdoor Applications

• Pumps • Water Fountains • Aerators • Landscape/Holiday Lighting • Engine Block Heaters



HB880R

7-DAY OUTDOOR DIGITAL PLUG-IN TIMER


Full feature plug-in timer provides 7-day programming in a weatherproof enclosure with astronomical clock and Daylight Saving Time (DST) adjustment in a convenient plug-in for quick and easy automation.

APPLICATIONS

- Outdoor Lighting Control • Landscape Water Control

FEATURES

- 14 ON/OFF programmable events
- Full 7-day programming options, including astronomical clock, automatic DST adjustment and random mode
- 2 grounded receptacles with 24" cord and grounded plug
- Incandescent/fluorescent/CFL/LED compatible
- AA battery backup (included)
- Plugs directly into wall outlet

| Model # | Input Voltage | Rect/Plug |
|---------|----------------|--|
| HB880R | 120 VAC, 60 Hz | 5-15  |



| Ratings | |
|---------------------------------|---|
| Input Voltage | 120 VAC, 60 Hz |
| Electronic Ballast (LED) | 500 VA, 120 VAC, 60 Hz |
| Resistive (Heater) | 15 A, 120 VAC, 60 Hz |
| Tungsten (Incandescent) | 1000 W, 120 VAC, 60 Hz |
| Inductive Ballast (Fluorescent) | 8.3 A, 120 VAC, 60 Hz |
| Motor | 1/2 HP, 120 VAC, 60 Hz |
| Dimensions H x W x D | 5 3/8" x 5" x 1 7/8" (137 mm x 129 mm x 48 mm) |
| Warranty | 1-Year limited |

DT200LT Series

DIGITAL LANDSCAPE TIMER


Digital 24-hour landscape timer with DST, rated for use in low voltage transformers up to 1200W featuring ON programming at Dusk or predetermined time and OFF at Dawn or predetermined time.

APPLICATIONS

- Indoor Lighting Control • Outdoor Lighting Control • Landscape Water Control

FEATURES

- Factory set AUTO DST option takes the hassle out of Daylight Saving Time adjustments
- One push, programming override for homeowner convenience
- Rated for use in low voltage transformers up to 1200 W
- Two included LR44 batteries retain the correct time and settings for up to three months without power
- Use with UL Certified Type 3R enclosure (sold separately)
- Intermatic Linesync technology provides accurate timing for years

| Model # | Input Voltage | Rect/Plug |
|---------|----------------|--|
| DT200LT | 120 VAC, 60 Hz | 5-15  |



| Ratings | |
|---------------------------------|---|
| Input Voltage | 120 VAC, 60 Hz |
| Resistive (Heater) | 15 A, 120 VAC, 60 Hz |
| Tungsten (Incandescent) | 1000 W, 120 VAC, 60 Hz |
| Inductive Ballast (Fluorescent) | 12 A, 120 VAC, 60 Hz |
| Motor | 1/2 HP @ 120 VAC, 60 Hz |
| Dimensions H x W x D | 3 3/8" x 3 5/8" x 2 1/4" (81 mm x 84 mm x 57 mm) |
| Warranty | 1-Year limited |

Occupancy Sensor Solutions

Increase energy-efficiency in limited-use spaces with easy-to-install Intermatic occupancy and vacancy sensors. Our range of in-wall and ceiling mount controls ensure lights stay on only when needed and help reduce energy costs.



Storage Areas and Closets

Bring hands-free lighting control to storage areas, supply closets, garages and more with a PIR or dual-tech occupancy/vacancy sensor. Once installed, lights activate only when an occupant's presence is detected (when set in occupancy mode), allowing them to access the space without searching for an in-wall switch in the dark.

Restrooms

Install occupancy sensors in restrooms, locker rooms and other limited-use locations to provide occupants with an added level of comfort and convenience. Adjustable hold intervals make it easy to tailor sensors to application needs, while a manual override function keeps end-users in control.



Meeting Rooms and Corridors

Simplify lighting control in meeting rooms and hallways with occupancy/vacancy sensors. A range of commercial-grade solutions allow installers to integrate energy-saving control while catering to business needs.

Waiting Rooms and Common Areas

Save on energy costs by installing dual-tech occupancy sensors in common areas and waiting rooms. Our ceiling mount solutions provide enhanced coverage and allow the controls to monitor movement in crowded environments with minor obstructions and limited sight lines.



Contents

| | |
|----------------------------------|-----|
| Sensor Education | 82 |
| Low-Voltage Ceiling Mount | 83 |
| Line Voltage Ceiling Mount | 84 |
| Commercial Grade In-Wall | 85 |
| Self Adaptive In-Wall | 86 |
| Residential In-Wall | 87. |

Additional Solutions and Resources

Ready to get started? Scan the QR code to the right for a variety of helpful resources, including sell sheets, product instructions, installation videos and more.



The right technology for the space.

Our range of sensors detects the presence and movement of people in a room, space, or immediate vicinity. Smart technology discerns even the slightest motor movements, so lights stay on when needed and turn off when vacated to conserve energy.

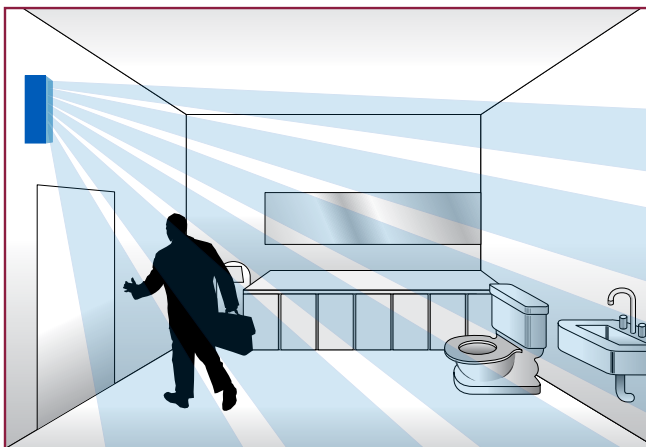


Ceiling Mount Sensors

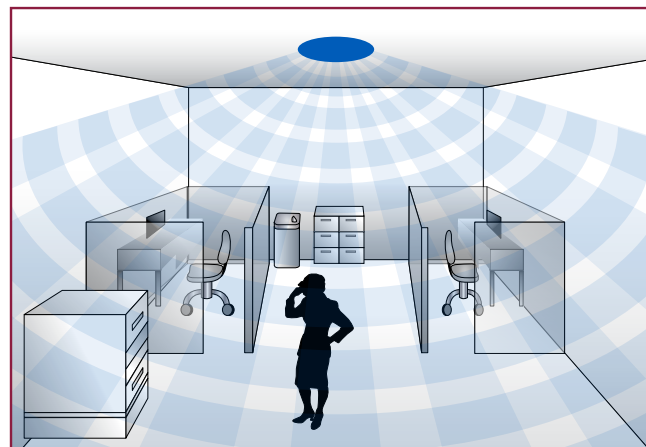


In-Wall Sensors

The differences between Passive Infrared (PIR) and Dual (PIR/Ultrasonic) technology.



Passive infrared (PIR) technology detects the difference in heat energy a person in motion generates in contrast to the elements surrounding them in a confined space. To detect presence PIR needs line of sight to a person.



Dual (PIR/Ultrasonic) technology combines PIR with Ultrasonic technology. Ultrasonic utilizes wave analysis and Doppler sound waves to detect differences in energy from different phenomenon. The combination of the two technologies enhances responsiveness for maximum system reliability.



IOS-CMP-DT-LV

IOS-CMP-DT-LV

LOW-VOLTAGE CEILING MOUNT DUAL TECH SENSOR

This ceiling mount sensor detects presence using a combination of Passive Infrared (PIR) and ultrasonic technologies, and in conjunction with a remote power pack unit, turns the load ON and OFF when presence is detected.

APPLICATIONS

- Indoor Sensing Control

FEATURES

- Ultrasonic and PIR sensing for presence detection, even in areas with partitions and/or with small movements
- Low-voltage, ceiling mounted sensor
- Coverage: 360°, 1600 ft² PIR, 1000 ft² Ultrasonic mounted on 8 to 11 ft ceiling
- Adjustable time delay
- Adjustable ambient light sensor override
- Powered by IOS-PP24 power pack, sold separately

| Model # | Description | Technology |
|---------------|--|----------------------------------|
| IOS-CMP-DT-LV | Commercial Grade Low-Voltage Ceiling Mount Dual Tech Occupancy/Vacancy Sensor, White | Dual Technology (PIR/Ultrasonic) |



| Ratings | |
|------------------------|---|
| Input Voltage | 24 VDC |
| Current Consumption | 20 mA |
| Power Supply | IOS-PP24 |
| Coverage Pattern | 1000 ft ² PIR, 1600 ft ² Ultrasonic |
| Adjustable Light Level | 10 fc - Daylight |
| Adjustable Time Delay | 5 sec - 30 min |
| Operating Temperature | 32°F - 122°F (0°C - 50°C) |
| Dimensions H x Dia | 1 3/8" x 4 3/8" (35 mm x 116 mm) |
| Warranty | 2-Year limited |



IOS-CMP-LV

IOS-CMP-LV

LOW-VOLTAGE CEILING MOUNT PIR SENSOR

This ceiling mount sensor detects presence using Passive Infrared (PIR) technology and, in conjunction with a remote power pack unit, turns the load ON and OFF when presence is detected.

APPLICATIONS

- Indoor Sensing Control

FEATURES

- PIR sensing for presence detection
- Low-voltage, remote-mounted sensor
- Coverage: 1200 ft² when mounted on 8 to 11 ft ceiling
- Adjustable time delay
- Adjustable ambient light sensor override
- Powered by IOS-PP24 power pack, sold separately

| Model # | Description | Technology |
|------------|--|------------------------|
| IOS-CMP-LV | Commercial Grade Low-Voltage Ceiling Mount PIR Occupancy/Vacancy Sensor, White | PIR (Passive Infrared) |



| Ratings | |
|------------------------|----------------------------------|
| Input Voltage | 24 VDC |
| Current Consumption | 9mA |
| Power Supply | IOS-PP24 |
| Coverage Pattern | 1200 ft ² |
| Adjustable Light Level | 10 fc - 150 fc |
| Adjustable Time Delay | 15 sec - 30 min |
| Operating Temperature | 32°F - 122°F (0°C - 50°C) |
| Dimensions H x Dia | 1 3/8" x 4 3/8" (35 mm x 116 mm) |
| Warranty | 2-Year limited |

ACCESSORY



IOS-PP24



IOS-PP24

LOW-VOLTAGE POWER PACK

An IOS-PP24 power pack is required to provide power to the IOS-CMP-LV sensor and enable a manual ON for the vacancy sensor.

FEATURES

- Controls up to six low-voltage sensors
- Zero-crossing technology for long life and performance
- Incandescent/Fluorescent/CFL compatible

| Ratings | |
|-------------------------|--|
| Input Voltage | 120/230/240/277 VAC, 50/60 Hz |
| Tungsten (Incandescent) | 15A, 120VAC, 50/60 Hz 5A, 250VAC, 50/60 Hz |
| Ballast (Fluorescent) | 20 A |
| Motor | 1 HP, 120 VAC, 1 HP, 240 VAC |
| Operating Temperature | 32°F - 131°F (0°C - 55°C) |
| Dimensions H x W x D | 2 3/8" x 1 1/8" x 1 3/8" (70 mm x 49 mm x 41 mm) |
| Warranty | 2-Year limited |

Occupancy Sensors

Line Voltage Ceiling Mount



IOS-CMP-DT-U

IOS-CMP-DT-U

LINE VOLTAGE CEILING MOUNT
DUAL TECH SENSOR

This ceiling mount unit turns lights ON and OFF when presence is detected using a combination of Ultrasonic and Passive Infrared (PIR) sensing technologies.

APPLICATIONS

- Indoor Sensing Control

FEATURES

- Ultrasonic and PIR sensing improves presence detection while avoiding false triggers, even in areas with partitions and/or small movements
- Zero-crossing technology for long life and performance
- Coverage: 360°, 1600 ft² PIR, 1000 ft² Ultrasonic mounted on 8 to 11 ft ceiling
- Adjustable ambient light sensor override
- Requires neutral connection
- Incandescent/Fluorescent/CFL/LED compatible

| Model # | Description | Technology |
|--------------|---|---|
| IOS-CMP-DT-U | Commercial Grade Line Voltage Ceiling Mount Dual Tech Occupancy Sensor, White | Dual Technology (PIR/Ultrasonic), Zero-crossing |



| Ratings | |
|--------------------------|---|
| Input Voltage | 120/277 VAC, 50/60 Hz |
| Electronic Ballast (LED) | 800 VA, 120 VAC; 1600 VA, 277 VAC |
| Tungsten (Incandescent) | 800 W, 120 VAC |
| Resistive (Heater) | 800 W |
| Ballast (Fluorescent) | 800 VA, 120 VAC; 1600 VA, 277 VAC |
| Motor | 1/4 HP, 120 VAC |
| Coverage Pattern | 360°, 1600 ft² PIR, 1000 ft² Ultrasonic |
| Adjustable Light Level | 10 fc - Daylight |
| Adjustable Time Delay | 5 sec - 30 min |
| Operating Temperature | 32°F - 131°F (0°C - 55°C) |
| Dimensions H x Dia | 1 3/8" x 4 3/8" (35 mm x 116 mm) |
| Warranty | 2-Year limited |



IOS-CMP-U

IOS-CMP-U

LINE VOLTAGE CEILING MOUNT
PIR SENSOR

Using Passive Infrared (PIR) sensing technology, this ceiling mount unit turns lights ON and OFF when presence is detected in a room without partitions or obstructions.

APPLICATIONS

- Indoor Sensing Control

FEATURES

- PIR technology sensing for presence detection
- Coverage: 1200 ft² when mounted on 8 to 11 ft ceiling
- Zero-crossing technology for long life and performance
- Adjustable ambient light sensor override
- Requires neutral connection
- Incandescent/Fluorescent/CFL/LED compatible

| Model # | Description | Technology |
|-----------|---|---------------------------------------|
| IOS-CMP-U | Commercial Grade Line Voltage Ceiling Mount PIR Occupancy Sensor, White | PIR (Passive Infrared), Zero-crossing |



| Ratings | |
|--------------------------|-----------------------------------|
| Input Voltage | 120/277 VAC, 60 Hz |
| Electronic Ballast (LED) | 800 VA, 120 VAC; 1600 VA, 277 VAC |
| Tungsten (Incandescent) | 800 W, 120 VAC |
| Resistive (Heater) | 800 W |
| Ballast (Fluorescent) | 800 VA, 120 VAC; 1600 VA, 277 VAC |
| Motor | 1/4 HP, 120 VAC |
| Coverage Pattern | 360°, 1200 ft² |
| Adjustable Light Level | 10 fc - 150 fc |
| Adjustable Time Delay | 15 sec - 30 min |
| Operating Temperature | 32°F - 131°F (0°C - 55°C) |
| Dimensions H x Dia | 1 3/8" x 4 3/8" (35 mm x 116 mm) |
| Warranty | 2-Year limited |



Lens 2

IOS-HB-U

IOS-HB-U

HIGH BAY/FIXTURE MOUNT
PIR SENSOR

For installation on High Bay Light Fixtures. Provides ON/OFF control of lights by presence in warehouses and other industrial spaces.

APPLICATIONS

- Indoor Sensing Control

FEATURES

- Passive Infrared (PIR) sensing for presence detection
- Two lenses included
- Coverage: 1200 ft² (Lens 1) or 2800 ft² (Lens 2) when mounted at 15 to 50 ft
- Zero-crossing technology for long life and performance
- Adjustable ambient light sensor override
- Incandescent/Fluorescent/CFL/LED compatible

| Model # | Description | Technology |
|----------|---|---------------------------------------|
| IOS-HB-U | Commercial Grade High Bay Ceiling Mount PIR Occupancy Sensor, White | PIR (Passive Infrared), Zero-crossing |



| Ratings | |
|--------------------------|--|
| Input Voltage | 120/277 VAC, 60 Hz |
| Electronic Ballast (LED) | 800 VA, 120 VAC; 1200 VA, 277 VAC |
| Tungsten (Incandescent) | 800 W, 120 VAC |
| Resistive (Heater) | 800 W |
| Ballast (Fluorescent) | 800 VA, 120 VAC; 1200 VA, 277 VAC |
| Motor | 1/4 HP, 120 VAC |
| Mounting | 15-50 ft |
| Coverage Pattern | 180°, 1200 ft² (Lens 1), 2800 ft² (Lens 2) |
| Adjustable Light Level | 10 fc - 150 fc |
| Adjustable Time Delay | 15 sec - 30 min |
| Operating Temperature | 32°F - 131°F (0°C - 55°C) |
| Dimensions H x Dia | 2 3/4" x 4" (70 mm x 102 mm) |
| Warranty | 2-Year limited |



IOS-DOV-DT-WH

IOS-DOV-DT-WH

LINE VOLTAGE IN-WALL
DUAL TECH SWITCH

This Occupancy/Vacancy in-wall switch unit can be used as a replacement to a standard wall switch to turn lights ON and OFF when presence is detected by a combination of Ultrasonic and PIR sensing technologies.

APPLICATIONS

- Indoor Sensing Control

FEATURES

- Ultrasonic and Passive Infrared (PIR) sensing for presence detection, even in areas with partitions and/or with small movements
- Coverage: 180°, 1200 ft² PIR, 400 ft² Ultrasonic
- Zero-crossing technology for long life and performance
- Adjustable time delay
- Optional walk-through detection mode
- Adjustable ambient light sensor override
- Incandescent/Fluorescent/CFL/LED compatible
- Requires neutral connection
- Fits standard decorator wall plate (included)

| Model # | Description | Technology |
|---------------|--|---|
| IOS-DOV-DT-WH | Commercial Grade In-Wall Dual Tech Occupancy/Vacancy Sensor, White | Dual Technology (PIR/Ultrasonic), Zero-crossing |



| Ratings | |
|--------------------------|--|
| Input Voltage | 120/277 VAC, 50/60 Hz |
| Electronic Ballast (LED) | 600 VA, 120 VAC; 1385 VA, 277 VAC |
| Tungsten (Incandescent) | 800 W, 120 VAC |
| Resistive (Heater) | 800 W, 120 VAC |
| Ballast (Fluorescent) | 800 VA, 120 VAC |
| Motor | 1/4 HP, 120 VAC |
| Coverage Pattern | 180°, 1200 ft ² PIR, 400 ft ² Ultrasonic |
| Adjustable Light Level | 10 fc - Daylight |
| Adjustable Time Delay | 15 sec - 30 min |
| Operating Temperature | 32°F - 131°F (0°C - 55°C) |
| Dimensions H x W x D | 2.625" x 1 3/8" x 1.75" (67 mm x 33 mm x 44 mm) |
| Warranty | 2-Year limited |



IOS-DSR-WH



Ivory

IOS-DSR Series

SELF-ADAPTIVE IN-WALL
PIR SENSOR SWITCH

These in-wall switches detect presence using PIR sensing technology. They have a self-adjusting feature that optimizes delay-off time based on actual occupancy.

APPLICATIONS

- Indoor Sensing Control

FEATURES

- Passive Infrared (PIR) sensing for presence detection
- Coverage: 180°, 1200 ft² with non-obstructed views
- User-selectable Vacancy or Occupancy switch mode
- Zero-crossing technology for long life and performance
- Automatic self-adaptive time delay based on occupancy patterns
- IOS-DSR/DDR models feature optional walk-through detection mode
- Adjustable ambient light sensor override
- Incandescent/Fluorescent/CFL/LED compatible
- Fits standard decorator wall plate (included)

| Model # | | Circuits | Switch Type | Requires Neutral | Nightlight |
|------------|------------|----------|--------------------|------------------|------------|
| White | Ivory | | | | |
| IOS-DSR-WH | IOS-DSR-IV | 1 | Occupancy, Vacancy | No | No |



| Ratings | |
|--------------------------|---|
| Input Voltage | 120/277 VAC, 50/60 Hz |
| Electronic Ballast (LED) | 800 VA, 120 VAC; 1600 VA, 277 VAC |
| Tungsten (Incandescent) | 800 W, 120 VAC |
| Resistive (Heater) | 800 W, 120 VAC |
| Ballast (Fluorescent) | 800 VA, 120 VAC; 1600 VA, 277 VAC |
| Motor | 1/4 HP, 120 VAC |
| Coverage Pattern | 180°, 1200 ft ² |
| Adjustable Light Level | 30 lux - Daylight |
| Adjustable Time Delay | 15 sec - 30 min |
| Operating Temperature | 32°F - 131°F (0°C - 55°C) |
| Dimensions H x W x D | 2.625" x 1 3/8" x 1.75" (67 mm x 33 mm x 44 mm) |
| Warranty | 2-Year limited |

Occupancy Sensors

Self-Adaptive In-Wall



IOS-DOV-WH



Ivory

IOS-DOV Series

SELF-ADAPTIVE IN-WALL PIR SENSOR SWITCH

These in-wall switches detect presence using PIR (Passive Infrared Technology) and can be set for Automatic ON or Manual ON activation. These units also offer adjustable time delay, adjustable ambient light level detection, as well as adjustable sensitivity settings providing optimal energy savings.

APPLICATIONS

- Indoor Sensing Control

FEATURES

- Passive Infrared (PIR) sensing for presence detection
- Coverage: 180°, 1200 ft² with non-obstructed views
- User-selectable Vacancy or Occupancy switch mode
- Zero-crossing technology for long life and performance
- Adjustable ambient light sensor override
- Incandescent/Fluorescent/CFL/LED compatible
- IOS-DOV models require a neutral connection
- Fits standard decorator wall plate (included)

| Model # | | Circuits | Switch Type | Requires Neutral | Nightlight |
|----------------|---------------|----------|--------------------|------------------|------------|
| White | Ivory | | | | |
| IOS-DOV-WH | IOS-DOV-IV | 1 | Occupancy, Vacancy | Yes | No |
| IOS-DOV-NL-WH* | IOS-DOV-NL-IV | 1 | Occupancy, Vacancy | Yes | Yes |



| Ratings | |
|--------------------------|---|
| Input Voltage | 120 VAC, 60 Hz |
| Electronic Ballast (LED) | 800 VA |
| Tungsten (Incandescent) | 800 W |
| Resistive (Heater) | |
| IOS-DOV | 12 A |
| IOS-DOV-NL | 10 A |
| Ballast (Fluorescent) | 800 VA |
| Motor | 1/4 HP |
| Coverage Pattern | 180°, 1200 ft ² |
| Adjustable Light Level | 30 lux - Daylight |
| Adjustable Time Delay | 15 sec - 30 min |
| Operating Temperature | 32°F - 131°F (0°C - 55°C) |
| Dimensions H x W x D | 2.625" x 1 1/8" x 1.75" (67 mm x 33 mm x 44 mm) |
| Warranty | 5-Year limited |



IOS-DDR-WH

IOS-DDR Series

SELF-ADAPTIVE IN-WALL PIR SENSOR SWITCH

These in-wall switches detect presence using PIR sensing technology. They have a self-adjusting feature that optimizes delay-off time based on actual occupancy.

APPLICATIONS

- Indoor Sensing Control

FEATURES

- Passive Infrared (PIR) sensing for presence detection
- Coverage: 180°, 1200 ft² with non-obstructed views
- Independent load control for each circuit
- Zero-crossing technology for long life and performance
- Automatic self-adaptive time delay based on occupancy patterns
- Features optional walk-through detection mode
- Incandescent/Fluorescent/CFL/LED compatible
- Require a neutral connection
- Fits standard decorator wall plate (included)

| Model # | Circuits | Switch Type | Requires Neutral | Nightlight |
|------------|----------|--------------------|------------------|------------|
| IOS-DDR-WH | 2 | Occupancy, Vacancy | Yes | No |



| Ratings | |
|--------------------------|---|
| Input Voltage | 120/277 VAC, 50/60 Hz |
| Electronic Ballast (LED) | 800 VA, 120 VAC; 1600 VA, 277 VAC |
| Tungsten (Incandescent) | 800 W, 120 VAC |
| Resistive (Heater) | 800 W, 120 VAC |
| Ballast (Fluorescent) | 800 VA, 120 VAC; 1600 VA, 277 VAC |
| Motor | 1/4 HP, 120 VAC |
| Coverage Pattern | 180°, 1200 ft ² |
| Adjustable Light Level | 30 lux - Daylight |
| Adjustable Time Delay | 15 sec - 30 min |
| Operating Temperature | 32°F - 131°F (0°C - 55°C) |
| Dimensions H x W x D | 2.625" x 1 1/8" x 1.75" (67 mm x 33 mm x 44 mm) |
| Warranty | 5-Year limited |



IOS-DPBIF-WH

IOS-DPB Series

RESIDENTIAL GRADE IN-WALL PIR VACANCY AND OCCUPANCY SENSOR SWITCHES

These in-wall switches detect presence using PIR sensing technology. They provide manual ON and automatic OFF (vacancy switches) or ON/OFF (occupancy switches) for small to medium size rooms.

APPLICATIONS

- Indoor Sensing Control

FEATURES

- Passive Infrared (PIR) sensing for presence detection
- Adjustable PIR sensitivity
- Adjustable time delay 15 sec to 30 min
- Adjustable ambient light sensor override for occupancy switch models
- Coverage: 150°, 980 ft² with non-obstructed views
- IOS-DPBV models are Incandescent/Fluorescent/CFL/LED compatible and require a neutral connection
- 'No neutral' models offered for retrofit applications
- Fits standard decorator wall plate (included)

| Model # | Switch Type | Requires Neutral | Electronic | Tungsten | Ballast | Resistive |
|----------------|-------------|------------------|------------|----------|---------|-----------|
| IOS-DPBIF-WH | Occupancy | Yes | - | 800 W | 800 VA | 12 A |
| IOS-DPBIMF-WH* | Occupancy | No | - | 800 W | 800 VA | 800 W |
| IOS-DPBV-WH | Vacancy | Yes | 500 VA | 500 W | 500 VA | 10 A |

*Not compatible with LED load, only incandescent and inductive loads. Min 25 W load required.



| Ratings | |
|--------------------------|---|
| Input Voltage | 120 VAC, 60 Hz |
| Electronic Ballast (LED) | See Model Chart - Electronic |
| Tungsten (Incandescent) | See Model Chart - Tungsten |
| Ballast (Fluorescent) | See Model Chart - Ballast |
| Resistive (Heater) | See Model Chart - Resistive |
| Motor | 1/4 HP |
| Coverage Pattern | 150°, 980 ft ² |
| Adjustable Light Level | 30 lux - Daylight |
| Adjustable Time Delay | 15 sec - 30 min |
| Operating Temperature | 32°F - 131°F (0°C - 55°C) |
| Dimensions H x W x D | 2.75" x 1 7/8" x 1.625" (70 mm x 37 mm x 41 mm) |
| Warranty | 2-Year limited |



IOS-DSIF-WH



Ivory

IOS-DSI Series

RESIDENTIAL GRADE OCCUPANCY SWITCH WITH MANUAL OVERRIDE

These in-wall switches detect presence using PIR sensing technology to automatically turn lights ON/OFF for small to medium size rooms. These models provide users with a manual ON/OFF/AUTO override switch.

APPLICATIONS

- Indoor Sensing Control

FEATURES

- Passive Infrared (PIR) sensing for presence detection
- Adjustable PIR sensitivity
- Adjustable time delay 15 sec to 30 min
- Adjustable ambient light sensor override
- Coverage: 150°, 980 ft² with non-obstructed views
- IOS-DSIF models are Incandescent/Fluorescent/CFL/LED compatible and require a neutral connection
- 'No neutral' models offered for retrofit applications
- Fits standard decorator wall plate (included)

| Model # | | Requires Neutral | Electronic | Tungsten | Ballast | Resistive |
|---------------|---------------|------------------|------------|----------|---------|-----------|
| White | Ivory | | | | | |
| IOS-DSIF-WH | IOS-DSIF-IV | Yes | 500 VA | 500 W | 500 VA | - |
| IOS-DSIMF-WH* | IOS-DSIMF-IV* | No | - | 800 W | 800 VA | 800 W |

*Not compatible with LED load, only incandescent and inductive loads. Min 25 W load required.



| Ratings | |
|--------------------------|---|
| Input Voltage | 120 VAC, 60 Hz |
| IOS-DSIMF | 120 VAC, 50/60 Hz |
| Electronic Ballast (LED) | See Model Chart - Electronic |
| Tungsten (Incandescent) | See Model Chart - Tungsten |
| Ballast (Fluorescent) | See Model Chart - Ballast |
| Resistive (Heater) | See Model Chart - Resistive |
| Motor | |
| IOS-DSIF-WH | 1/8 HP |
| IOS-DSIMF-WH | 1/4 HP |
| Switch Type | Occupancy |
| Coverage Pattern | 150°, 980 ft ² |
| Adjustable Light Level | 30 lux - Daylight |
| Adjustable Time Delay | 15 sec - 30 min |
| Operating Temperature | 32°F - 131°F (0°C - 55°C) |
| Dimensions H x W x D | 2.75" x 1 7/8" x 1.625" (70 mm x 37 mm x 41 mm) |
| Warranty | 2-Year limited |

Photocontrol Solutions

Boost energy efficiency and promote safety in outdoor spaces with Intermatic photocontrols. Our versatile lineup can fit nearly any application and budget. Take advantage of high-performance, LED compatible electronic photocontrols to reduce long-term maintenance needs and deliver lasting value to end-users.



Streets and Roadways

Install photocontrols in street and roadway lighting applications for dependable dusk-to-dawn control. Our electronic photocontrol solutions are designed to match the 10- to 20-year lifespan of LED fixtures and reduce long-term maintenance needs.

Parking Lots and Pathways

Deliver simple dusk-to-dawn lighting control in parking lots and other common space applications with our fixed mount electronic photocontrols. These LED compatible solutions are simple to install and promote security.



Entranceways and Building Exteriors

Take the guesswork out of outdoor building lighting needs with our thermal and electronic photocontrols. These solutions provide reliable ON/OFF scheduling and fit both residential and commercial applications.

Parks and Sports Fields

Reduce energy waste and promote security in public spaces with our versatile photocontrol lineup. Available in a variety of mounting styles, including stem-and-swivel, button, in-wall and stem mount, these solutions are an ideal choice for parks, sports fields, gardens and more.



Contents

| | | |
|-----------------------|--------------------------------|----|
| Product Line | Overview | 90 |
| Locking Type | Electronic | 92 |
| Fixed Mount | Electronic | 93 |
| Locking Type | Thermal | 94 |
| Fixed Mount | Thermal | 95 |
| Button and Wall Mount | Thermal / Power Tap Receptacle | 96 |
| Locking Type | Receptacles / Accessories | 97 |
| Customizable | Utility Solutions | 98 |

Additional Solutions and Resources

Ready to get started? Scan the QR code to the right for a variety of helpful resources, including sell sheets, product instructions, installation videos and more.



WHAT'S THE DIFFERENCE BETWEEN THERMAL AND ELECTRONIC PHOTOCONTROLS?

ELECTRONIC PHOTOCONTROLS

Modern lighting installations require lighting controls that are compatible with LED fixtures. Our NightFox™ Electronic Photocontrols are specifically designed to match the 10- to 20-year lifespan of LED fixtures, which equates to fewer maintenance service calls and lower equipment costs.

NightFox Photocontrols offer a solid-state light sensor and relays that feature zero-crossing technology for more precise control and extended service life.



- Higher initial cost but longer lasting
- 10- to 20-Year design life
- 6- to 12-Year product warranty
- Universally compatible, especially with LED fixtures

THERMAL PHOTOCONTROLS

Thermal Photocontrols are electromechanical switches that are based on a Cadmium Sulphide (CdS) photosensor and a bimetallic, thermally sensitive switch mechanism.

These simple switches provide cost-effective dusk-to-dawn control of traditional HID and incandescent lighting loads. Because of their shorter 3- to 5-year design life, they are not recommended due to the high inrush current from LED fixtures which depreciates their lifespan.



- Lower initial cost
- 3- to 5-Year design life
- 1- to 2-Year product warranty
- Best for HID and Incandescent Fixtures

APPLICATIONS



- Street lighting • Perimeter lighting • Landscape lighting
- Parking Lot lighting • Pathway lighting • Park and Recreational lighting

NIGHTFOX™ ELECTRONIC PHOTOCONTROLS

KEY BENEFITS



UNIVERSAL COMPATIBILITY

NightFox Photocontrols are designed, tested and warranted to match the long 10- to 20-year lifespan of LED fixtures. They're also backwards compatible with all traditional light sources (e.g., HID, Incandescent) and compatible with all service voltages (120-277 V, 347V, and 480 V).

LOWER MAINTENANCE COSTS

A long-life design allows installers to sync photocontrol and fixture maintenance schedules, resulting in fewer nuisance service calls and lower equipment costs.

SUPERIOR TECHNOLOGY

Built-in zero-crossing technology with high-precision calibration, as well as industry-leading manufacturing processes, helps ensure each photocontrol has a lifespan of 10- to 20-years.

FASTER INSTALLATION

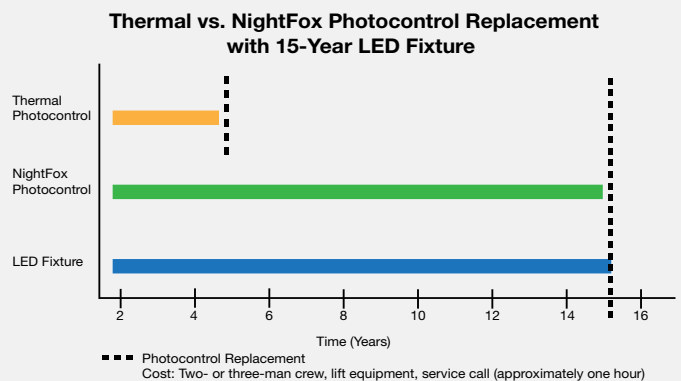
Verify functionality of newly-installed controls in seconds by covering the sensor (unlike thermal controls which have a delayed ON/OFF trigger).

LONG-LIFE WARRANTY

All electronic photocontrols are backed by an 8- to 12-year warranty.

THE HIDDEN COST OF PHOTOCONTROL MAINTENANCE

Pairing an LED fixture with a thermal photocontrol requires installers to make extra trips to the light fixture just to replace the photocontrol. Under ideal conditions, a thermal photocontrol will last just 3-5 years, requiring at least one extra replacement during the life of a typical LED. Often, replacement is required more frequently due to premature failure caused by the high inrush currents of LED drivers.





12 YEAR
Limited Warranty

**NIGHTFOX™
SPECIFIER GRADE**

LED4536SC
LED4537SC

Photocontrol specifically designed for 20-year service to match the life expectancy of long-life LED and new induction fixtures.

FEATURES

- Non-drift silicon light sensor with IR filter
- DC relay with zero-crossing circuitry for extended life
- All components meet 20-year life expectancy
- Conformal coated PCB
- Exceeds 15,000 ON/OFF switching cycles
- Ideal for single or multi-fixture HID and LED installations (up to 2,220 W @ 277 VAC)
- 510 J MOV surge protection



8 YEAR
Limited Warranty

**NIGHTFOX™
SELECT GRADE**

EK4536
EK4537

Designed to meet a 15-year service life, this photocontrol is LED-compatible and backed by an 8-year warranty.

FEATURES

- Non-drift silicon light sensor with IR filter
- DC relay with zero-crossing circuitry for extended life
- All components meet 15-year life expectancy
- Conformal coated PCB
- Exceeds 10,000 ON/OFF switching cycles
- Ideal for single or multi-fixture HID and LED installations (up to 1,650 W @ 277 VAC)
- 510 J MOV surge protection



6 YEAR
Limited Warranty

**NIGHTFOX™
STANDARD GRADE**

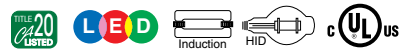
ELC4536

LED-compatible photocontrol features a 10-year life expectancy. Ideal for single fixture control of smaller LED fixtures that require a cost-effective solution.

FEATURES

- Non-drift silicon light sensor with IR filter
- All components meet 10-year life expectancy
- Exceeds 5,000 ON/OFF switching cycles
- Ideal for single HID and LED fixtures (up to 550 W @ 277 VAC)
- 510 J MOV surge protection

FOR ALL MODELS ABOVE



| Model # | Warranty | Input Voltage | Electronic Ballast (LED) | Tungsten (Incandescent) | Ballast (Fluorescent) |
|-----------|-----------------|-----------------------|----------------------------|-------------------------|-----------------------|
| LED4536SC | 12-Year limited | 120-277 VAC, 50/60 Hz | 8 A, 120-277 VAC, 50/60 Hz | 1000 W | 1800 VA |
| LED4537SC | 12-Year limited | 347/480 VAC, 50/60 Hz | 2A, 347 VAC, 50/60 Hz | 1000 W | 1800 VA |
| EK4536 | 8-Year limited | 120-277 VAC, 50/60 Hz | 6 A, 120-277 VAC, 50/60 Hz | 1000 W | 1800 VA |
| EK4537 | 8-Year limited | 347/480 VAC, 50/60 Hz | 2 A, 347 VAC 2 A, 347 VAC | 1000 W | 1800 VA |
| ELC4536 | 6-Year limited | 120-277 VAC, 50/60 Hz | 2 A, 120-277 VAC, 50/60 Hz | 1000 W | 1800 VA |

| Ratings | |
|--------------------------|------------------------------------|
| Input Voltage | See Model Table |
| Electronic Ballast (LED) | See Model Table |
| Tungsten (Incandescent) | 1000 W |
| Ballast (Fluorescent) | 1800 VA |
| Activation On | 1.5 fc |
| Activation Off | 2.25 fc |
| Time Delay | Instant ON; 2 sec to 5 sec OFF |
| Dimensions H x Dia | 2.75" x 3.375" (69.9 mm x 85.8 mm) |
| Operating Temperature | -40°F - 158°F (-40°C - 70°C) |
| Warranty | See Model Table |



EK4036S



EK4336S



EK4136S



EK4436SM



EK4236S



EK4736S



Fixed Mount Electronic Photocontrols NIGHTFOX™ EK4000 SERIES

NightFox™ electronic photocontrols permanently install on outdoor electrical boxes, in-wall boxes or outdoor lighting fixtures. Ideal for LED and induction fixtures with long-life expectations. ½"-14 NPSM threaded stem fits standard outlet boxes and wall packs with 9" wire leads.

FEATURES

- Non-drift silicon light sensor with IR filter
- DC relay with zero-crossing circuitry for extended life
- Conformal coated PCB
- 15-year design life
- Exceeds 10,000 ON/OFF switching cycles
- Fail ON mode
- Ideal for single or multi fixture HID and LED installations (up to 1,650 W @ 277 VAC)
- 255 J MOV surge protection element
- Mounts internally to enclosure
- Features ½" - 18 NPSM thread for a minimum installation hole size of 5/8 inch diameter

| Model # | Style | Lens Location | Input Voltage | Electronic Ballast (LED) | Wire Lead (in) |
|----------|-----------------------|---------------|-----------------------|---|----------------|
| EK4027S | Button | Front | 347 VAC, 50/60 Hz | 2 A | 9" |
| EK4035S | Button | Front | 480 VAC, 50/60 Hz | 0.35 A (Tested with 150 W 480 V LED driver with 120 Apk /100µs In-rush current) | 9" |
| EK4036S | Button | Front | 120-277 VAC, 50/60 Hz | 6 A, 120-277 VAC, 50/60 Hz | 9" |
| EK4127S | Stem Mount | Side | 347 VAC, 50/60 Hz | 2 A | 9" |
| EK4135S | Stem Mount | Side | 480 VAC, 50/60 Hz | 0.35 A (Tested with 150 W 480 V LED driver with 120 Apk /100µs In-rush current) | 9" |
| EK4136S | Stem Mount | Side | 120-277 VAC, 50/60 Hz | 6 A, 120-277 VAC, 50/60 Hz | 9" |
| EK4227S | Stem and Swivel Mount | Side | 347 VAC, 50/60 Hz | 2 A | 6" |
| EK4235S | Stem and Swivel Mount | Side | 480 VAC, 50/60 Hz | 0.35 A (Tested with 150 W 480 V LED driver with 120 Apk /100µs In-rush current) | 6" |
| EK4236S | Stem and Swivel Mount | Side | 120-277 VAC, 50/60 Hz | 6 A, 120-277 VAC, 50/60 Hz | 6" |
| EK4336S | In-Wall | Front | 120-277 VAC, 50/60 Hz | 6 A, 120-277 VAC, 50/60 Hz | 9" |
| EK4436SM | Stem Mount | Side | 120-277 VAC, 50/60 Hz | 6 A, 120-277 VAC, 50/60 Hz | 9" |
| EK4736S | Stem and Swivel Mount | Top | 120-277 VAC, 50/60 Hz | 6 A, 120-277 VAC, 50/60 Hz | 6" |

| Ratings | |
|--------------------------|---|
| Input Voltage | See Model Table |
| Electronic Ballast (LED) | See Model Table |
| Tungsten (Incandescent) | 1000 W |
| Activation On | 1.5 fc |
| Activation Off | 4.5 fc |
| Time Delay | Instant ON; 2 sec to 5 sec OFF |
| MOV* | 220 J MOV, 5,000 A Surge |
| Fail Mode | ON |
| Wire Leads | #18 AWG |
| Dimensions H x W x D | |
| Button | 2 ¼" x 1 ½" x 1 ¼" (57.2 mm x 33.3 mm x 31.8 mm) |
| Stem Plastic | 2 ¼" x 1 ½" x 1 ¼" (57.2 mm x 33.3 mm x 31.8 mm) |
| Stem Metal | 2 ½" x 1 ¾" x 2 ¾" (68.3 mm x 44.5 mm x 55.6 mm) |
| Stem & Swivel | 5 ½" x 1 ½" x 1 ¼" (142.9 mm x 33.3 mm x 31.8 mm) |
| Operating Temperature | -40°F - 158°F (-40°C - 70°C) |
| Warranty | 8-Year limited |

*Metal Oxide Varistor



LC4521LA

Locking Type Thermal Photocontrols

LC4500 SERIES

These photocontrols install on light fixtures with ANSI C136.10 NEMA receptacles commonly found on street light fixtures. Locking type design facilitates fast installation and replacement of photocontrol.

FEATURES

- Mechanical bimetal switch with Cadmium Sulfide photocell
- Integral high impact thermoplastic housing
- Locking type plug for quick installation and changeover
- Delay feature prevents unwanted OFF switching
- Complies with ANSI C136.10 standard
- Tested to 3,650 ON/OFF cycles

| Model # | Input Voltage | Ballast (Fluorescent) | Tungsten (Incandescent) | Protection |
|-----------|-----------------------|-----------------------|-------------------------|--------------------------|
| LC4521C | 120 VAC, 50/60 Hz | 8.3 A, 1000 VA | 15 A, 1800 W | None |
| LC4523 | 208-277 VAC, 50/60 Hz | 8.3 A, 1700-2300 VA | 15 A, 3100-4150 W | |
| LC4527* | 347 VAC, 50/60 Hz | 8.3 A, 2880 VA | 15 A, 5205 W | |
| LC4535 | 480 VAC, 50/60 Hz | 8.3 A, 4000 VA | 15 A, 7200 W | |
| LC4536C | 120-277 VAC, 50/60 Hz | 8.3 A, 1000-2300 VA | 15 A, 1800-4155 W | |
| LC4521LA | 120 VAC, 50/60 Hz | 8.3 A, 1000 VA | 15 A, 1800 W | Spark Gap Surge Arrestor |
| LC4523LA | 208-277 VAC, 50/60 Hz | 8.3 A, 1700-2300 VA | 15 A, 3100-4150 W | |
| LC4535LA | 480 VAC, 50/60 Hz | 8.3 A, 4000 VA | 15 A, 7200 W | |
| LC4536LAC | 120-277 VAC, 50/60 Hz | 8.3 A, 1000-2300 VA | 15 A, 1800-4155 W | |

* LC4527 is only CSA



| Ratings | |
|-------------------------|---------------------------------|
| Input Voltage | See Model Table |
| Ballast (Fluorescent) | See Model Table |
| Tungsten (Incandescent) | See Model Table |
| Activation On | 5 fc |
| Activation Off | 15 fc |
| Operating Temperature | -40°F - 158°F (-40°C - 70°C) |
| Dimensions H x Dia | 2 3/4" x 3" (69.9 mm x 76.2 mm) |
| Warranty | 2-Year limited |



LC2100

Low-Cost Multivoltage Locking Type Thermal Photocontrols

LC2000 SERIES

This model combines a silicon diode photosensing element with thermal switch to provide a multivoltage, cost-effective photocontrol.

FEATURES

- Mechanical bimetal switch with Silicon Diode photocell
- Thermoplastic housing with window
- Multivoltage covers 120 to 277 VAC applications
- Complies with ANSI C136.10

| Model # | Input Voltage | Ballast (Fluorescent) | Tungsten (Incandescent) |
|---------|-----------------------|-----------------------|-------------------------|
| LC2100 | 120-277 VAC, 50/60 Hz | 1800 VA | 1000 W |



| Ratings | |
|-------------------------|---------------------------------|
| Input Voltage | 120-277 VAC, 50/60 Hz |
| Ballast (Fluorescent) | 1800 VA |
| Tungsten (Incandescent) | 1000 W |
| Activation On | 1.5 fc |
| Activation Off | 6 fc |
| Operating Temperature | -40°F - 158°F (-40°C - 70°C) |
| Dimensions H x Dia | 2 7/8" x 3" (56.4 mm x 76.2 mm) |
| Warranty | 2-Year limited |



K4121C



K4423M



K4221C



K4251

**Stem Mount
Thermal Photocontrols**
K4100 AND K4400 SERIES

These photocontrols install on standard outdoor light fixtures and electrical boxes with 1/2"-14 NPSM thread or 3/8" knock-out holes for dusk-to-dawn ON/OFF control of outdoor lighting.

FEATURES

- Mechanical bimetal switch with Cadmium Sulfide photocell
- Delay feature prevents unwanted OFF switching
- Plastic and die-cast metal housing options
- 1/2"-14 NPSM threaded stem
- Washer gasket and locking nut included
- #18 AWG, 9" wire leads

| Model # | Input Voltage | Ballast (Fluorescent) | Tungsten (Incandescent) | Housing |
|---------|-----------------------|-----------------------|-------------------------|---------------|
| K4121C | 120 VAC, 50/60 Hz | 8.3 A, 1000 VA | 15 A, 1800 W | Polycarbonate |
| K4141C* | 120 VAC, 50/60 Hz | 25 A, 3000 VA | 25 A, 3000 W | |
| K4123C | 208-277 VAC, 50/60 Hz | 8.3 A, 1700-2300 VA | 15 A, 3100-4150 W | |
| K4421M | 120 VAC, 50/60 Hz | 8.3 A, 1000 VA | 15 A, 1800 W | Die-Cast Zinc |
| K4423M | 208-277 VAC, 50/60 Hz | 8.3 A, 1700-2300 VA | 15 A, 3100-4150 W | |

* K4141C is not UL/CSA certified.

**Stem and Swivel Mount
Thermal Photocontrols**
K4200 SERIES

These photocontrols are provided with a swivel arm for easy and flexible installation to standard outdoor light fixtures or electrical boxes.

FEATURES

- Mechanical bimetal switch with Cadmium Sulfide photocell
- Delay feature prevents unwanted OFF switching
- High strength, UV resistant plastic housing
- Swivel with 1/2"-14 NPSM threaded stem
- Washer gasket and locking nut included
- #18 AWG, 6" wire leads

| Model # | Input Voltage | Ballast (Fluorescent) | Tungsten (Incandescent) | Sensor Location |
|---------|-----------------------|-----------------------|-------------------------|-----------------|
| K4221C | 120 VAC, 50/60 Hz | 8.3 A, 1000 VA | 15 A, 1800 W | Side |
| K4223C | 208-277 VAC, 50/60 Hz | 8.3 A, 1700-2300 VA | 15 A, 3100-4150 W | |
| K4236C | 120-277 VAC, 50/60 Hz | 8.3 A, 1000-2300 VA | 15 A, 1800-4150 W | |
| K4251* | 120 VAC, 50/60 Hz | 8.3 A, 1000 VA | 15 A, 1800 W | Top |
| K4253* | 208-277 VAC, 50/60 Hz | 8.3 A, 1700-2300 VA | 15 A, 3100-4150 W | |

* K4253, K4251 is only CSA.

FOR ALL MODELS ABOVE



| Ratings | |
|-------------------------|--|
| Input Voltage | See Model Table |
| Ballast (Fluorescent) | See Model Table |
| Tungsten (Incandescent) | See Model Table |
| Activation On | 1 to 5 fc |
| Activation Off | 3 to 15 fc |
| Operating Temperature | -40°F - 158°F (-40°C - 70°C) |
| Wire Leads | #18 AWG, 9" L |
| Dimensions H x W x D | 3" x 1 1/8" x 1 1/8" (76.2 mm x 39.7 mm x 39.7 mm) |
| Warranty | 2-Year limited, 1-Year limited for K4251, K4253 & K4141C |

Photocontrols

Button and Wall Mount Thermal / Power Tap Receptacle



K4021C



K4321C

Button and Wall Mount Thermal Photocontrols

K4000 SERIES

NightFox™ electronic photocontrols permanently install on outdoor electrical boxes, in-wall boxes or outdoor lighting fixtures. Ideal for LED and induction fixtures with long-life expectations. 1/2"-14 NPSM threaded stem fits standard outlet boxes and wall packs with 9" wire leads.

FEATURES

- Mechanical bimetal switch with Cadmium Sulfide photocell
- Compact size fits into standard outlet box, post lamp, wall pack and other lighting fixtures
- Delay feature prevents unwanted OFF switching
- 3/8" - 18 NPSM, 3/4" long stem with locking nut and washer gasket

| Model # | Style | Input Voltage | Ballast (Fluorescent) | Tungsten (Incandescent) |
|---------|---------|-----------------------|-----------------------|-------------------------|
| K4021C | Button | 120 VAC, 50/60 Hz | 8.3 A, 1000 VA | 15 A, 1800 W |
| K4023C | Button | 208-277 VAC, 50/60 Hz | 8.3 A, 1700-2300 VA | 15 A, 3100-4150 W |
| K4321C | In-Wall | 120 VAC, 50/60 Hz | 8.3 A, 1000 VA | 15 A, 1800 W |



| Ratings | |
|-------------------------|--|
| Input Voltage | See Model Table |
| Ballast (Fluorescent) | See Model Table |
| Tungsten (Incandescent) | See Model Table |
| Activation On | 1 to 5 fc |
| Activation Off | 3 to 15 fc |
| Operating Temperature | -40°F - 158°F (-40°C - 70°C) |
| Wire Leads | #18 AWG, 9" L |
| Dimensions H x W x D | 1 1/2" x 3/8" x 3/8" (46 mm x 23.8 mm x 20.6 mm) |
| Warranty | 2-Year limited |



KPT1170-010

PowerTap Receptacle

KPT0170-010

KPT0170-015

KPT1170-010

APPLICATIONS

- Power Extension
- Traffic Control

FEATURES

- 7-pin ANSI C136.41 connector interface
- 3-prong power sockets + 4 signal contacts
- Taps into electric supply line of photocontrol with a #16 AWG cable out
- Branch circuit protected by an auto-resetting 10 A, OCPD
- Does not disturb the operation of lighting control units

| Model # | Description |
|-------------|--|
| KPT0170-010 | PowerTap Receptacle, 7-Pin, C136.41 Compliant, Always-On, 10' cable |
| KPT0170-015 | PowerTap Receptacle, 7-Pin, C136.41 Compliant, Always-On, 15' cable |
| KPT1170-010 | PowerTap Receptacle, 7-Pin, C136.41 Compliant, Dusk-to-Dawn, 10' cable |



| Ratings | |
|---------------------------|---|
| Branch Circuit Protection | 120 V, 10 A, Auto-resetting Thermal Circuit Breaker |
| Branch Circuit Rating | 120 VAC, 5 A max |
| Signal Contacts Rating | 30 VDC, 0.25 A max |
| Power Contacts Rating | 120 V, 15 A max total (luminaire plus branch circuit power) |
| Power Derating | 5 A from -40° C to 50° C, derate at 0.1 A/° C above 50° C up to 70° C max |
| Line Out Cable | ST00W Cord, .314" (8mm) OD, 10 ft. long |
| Wire Leads | (2) #16 AWG, Flush Cut |
| Operating Temperature | -40°F - 158°F (-40°C - 70°C) |
| Warranty | 2-Year limited |



SK4500K



OK4500R

Shorting and Open Plug for Locking Type Receptacles

SK4500K
OK4500R

FEATURES

- Fits standard locking-type receptacles
- Polycarbonate housing
- Works for all voltages
- Keeps lights permanently ON or OFF

| Model # | Description |
|----------|---|
| SK4500K | The SK4500K Shorting Cap is a low-profile, locking-type photocontrol cap that closes the receptacle connectors of individual fixtures. This cost-effective solution allows a series of lights to perform as a collective unit (ON/OFF) while protecting the receptacle from outdoor elements. |
| SK4500KJ | Shorting Plug for Locking Type Receptacles, bulk pack |
| OK4500R | Open Cap for Locking Type Receptacles |
| OK4500RJ | Open Cap for Locking Type Receptacles, bulk pack |

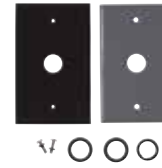


| Ratings | |
|-----------------------|-----------------------------------|
| Operating Temperature | -40°F - 158°F (-40°C - 70°C) |
| Dimensions H x Dia | 1.5" x 3.25" (38.1 mm x 82.55 mm) |
| Warranty | 2-Year limited |

ACCESSORIES



6LV1352



K43-WP-KIT



22LG0120



LGLBL



K121/K121-30



K122



K42-SW-A



K171H



K121-GSKT

| Model Number | Description |
|--------------|---|
| 6LV1352 | Light Shield Accessory for EK4036S, EK4436SM, K4000 Series Button Photocontrols |
| 22LG0120 | Light Guard Accessory for EK4000 Series Electronic Fix Mount Photocontrols |
| 22LG116 | Light Guard Accessory for K4100 Series, K4200 Series Thermal Photocontrols |
| K121 | Locking Type Receptacle, 3-Pin, C136.10 Compliant, 9" lead |
| K121-30 | Locking Type Receptacle, 3-Pin, C136.10 Compliant, 30" lead |
| K121-GSKT | Locking Type Receptacle Gasket |
| K171H | Locking Type Receptacle, 7-Pin, C136.41 Compliant, 12" lead |
| K122 | Locking Type Receptacle, 3-Pin, C136.10 Compliant, with Pole Mounting Bracket |
| K42-SW-A | Swivel Arm Accessory for EK4136S, K4100 Series Stem Mount Photocontrols |
| K43-WP-KIT | Wall Plate Kit for EK4036S, K4000 Series Button Photocontrols |
| LGLBL | Lens Sticker Accessory for EK4000 & K4000 Series Photocontrols |



Slim New Look, Rugged Performance

Introducing New Low-Profile Shorting and Open Cap Solutions

Upgrade outdoor photocontrols with the new SK4500K Shorting Cap and OK4500R Open Cap from Intermatic. The locking-type plug connectors are a simple, cost-effective solution to protect outdoor fixtures, or control photocontrol ON/OFF patterns in multi-fixture installations.

Both solutions are ANSI C136.10 compliant, delivering long-term value without sacrificing aesthetics. Available in 50-unit bulk quantities.



Quality Customizable Solutions, Long-Lasting Performance

As a leading manufacturer of photocontrols, contactor boxes and accessories, Intermatic understands the technology needed to meet modern lighting specifications.

Our NightFox Pro Series was designed from the ground up to match the life expectancy of LED lighting fixtures. We did this by pioneering a comprehensive testing methodology that uses the best information from NEMA 410 and UL standards to ensure LED compatibility and verify life target expectations.

Moreover, our state-of-the-art ISO 9001:2015 certified, vertically integrated manufacturing facility helps us maintain rigorous manufacturing standards while keeping all aspects of production under one roof. Our team oversees everything from the metal stamping of terminals and injection molding of plastic parts to circuit board assembly, testing and calibration.

We're committed to quality, and this allows us to confidently stand behind our work, with warranties of up to 12 years on select lighting controls.



Seamless Integration with Customizable Contactor Controls

Simplify your next project with a Pro Series Contactor Box that's designed to fit your unique requirements. Our tailored solutions are ideal for a variety of indoor and outdoor lighting applications, including switching of LED or ballast lamp loads. We are in a position to provide a solution to your Lighting Control requirements.

- Avoid costly maintenance issues in roadway lighting applications by installing LED-rated NightFox™ photocontrols. Our flagship photocontrol solution can be tailored to a variety of specifications and provides reliable dusk-to-dawn lighting control.
- Simplify lighting schedules in parks, shopping districts and other outdoor spaces by upgrading to NightFox™ photocontrols. The easy-to-install dusk-to-dawn controls are designed to match the long 10- to 20-year lifespan of LED fixtures.
- Leverage existing light pole infrastructure and provide power to auxiliary devices with cost-effective Intermatic solutions. Our receptacle connectors make it easy to integrate holiday lighting, communication equipment, sensors and more in municipal applications.



NightFox™ Pro Series
CUSTOMIZABLE ELECTRONIC PHOTOCONTROLS

Say Goodnight to LED Photocontrol Maintenance

NightFox Pro Photocontrols can be customized to meet the exact needs and specifications developed by Municipalities, Utilities, and Co-Ops.

Many Municipalities, Utilities and Co-Ops have developed specifications based on their own best practices, experience and particular needs. With the NightFox Pro Series Portfolio, there's no need to compromise. We'll build our photocontrols according to your specifications.

FEATURES

- 10- to 20-year design life
- Tested to full ON/OFF lifecycles under LED and induction loads per NEMA 410
- Tested up to 15,000 life cycles
- Up to 12-year warranties
- 120-277 or 347-480 voltage ranges
- Zero-crossing electronic circuitry minimizes the impact of inrush current
- Conformal coated PCB assemblies
- Non-drift silicon light sensor with IR filter
- Enhanced customizable surge protection with up to 1020 J MOV components
- Meet or exceed ANSI C136.10 and UL/CSA requirements
- Fail ON or Fail OFF options
- North-facing or omni-directional light sensor location options
- Nine ANSI C136.10 color-coded covers available
- NEMA 3
- ON/OFF from 1.0 to 8.0 foot-candle activation levels for overall energy saving potential

CONFIGURABLE OPTIONS

- 1. MODEL SERIES** — Choose the base model that best meets your application.
 - Standard Grade (ELC series)
 - 6-year warranty, 10-year design life, 2 A LED driver rating, +5,000 ON/OFF switching cycles
 - Select Grade (EK series)
 - 10-year warranty, 15-year design life, 6 A LED driver rating, zero-crossing technology, +10,000 ON/OFF switching cycles
 - Specifier Grade (LED series)
 - 12-year warranty, 20-year design life, 8 A LED driver rating, zero-crossing technology, +15,000 ON/OFF switching cycles
- 2. CONFIGURATION** — Select the enclosure type and sensor mount location.
 - NEMA 3
 - North-Facing or Omni-Directional Light Sensor Location
- 3. VOLTAGE RATINGS** — 120-277 V or 347-480 V
- 4. FAIL MODE** — Fail ON or Fail OFF modes
- 5. LOAD RATINGS** — See Model Series
- 6. CUSTOM ON AND OFF LIGHT ACTIVATION LEVELS**
 - Adjustable to any ON or OFF light activation level from 1.0 to 8.0 foot-candles
- 7. SURGE PROTECTION** — select between two levels:
 - 510 J MOV / ANSI C136.2 'Enhanced' surge protection level
 - 1020 J MOV / ANSI C136.2 'Extreme' surge protection level
- 8. COVER COLORS** — 9 cover color options.



Utility Control Boxes
CUSTOMIZABLE UTILITY CONTROL BOXES

Example Indoor and Outdoor Lighting Application Options

Professionally designed and built lighting contactor boxes provide a pre-configured, high quality control box for a quick field installation and deployment of your lighting project.

Our Lighting Contactor Controls are a simple, integrated solution to fit your specific indoor and outdoor lighting applications, including switching of LED or Ballast lamp loads. Made in the USA.

CONFIGURABLE OPTIONS

- 30 A-400 A
- 1-4 Poles
- NEMA 4X Enclosure (metal, non-metal)
- Line voltage 120 V-600 V or Multiple-in-One (120/240 V & 277/480 V)
- Photocontrol and receptacle
- Circuit protection
- Surge protection
- Zero-cross solid state relay (30 A & 60 A)
- Separate control voltage
- talento smart™ control

APPLICATIONS

- New LED Projects • Industrial plants • Street lighting • Commercial Shopping Centers
- Billboards • Hospitals • Stadiums • Schools, Universities and Community Colleges
- Roadways • Parking Lots • Residential • Automobile Dealerships • Airports • Substations

INTERESTED IN A CUSTOMIZED SOLUTION?



For more information contact your InterMatic utility representative today to discuss selecting options, pricing and lead time or send an email to utility_sales@intermatic.com and a representative will respond.

DON'T FORGET THE POWERTAP



Please see page 96 for information on InterMatic's PowerTap Receptacle, the perfect addition to your utility solutions!

Hour Meter Solutions

Ensure accurate run time and load usage measurements with our wide selection of hour meters. Available in a variety of mounting styles, including DIN rail, panel, surface and flush mount.



Equipment Monitoring

Stay on top of equipment maintenance schedules by installing a versatile Intermatic hour meter. Designed to accurately monitor run times and load usage measurements for tens of thousands of hours, these solutions help avoid premature equipment failures and simplify routine maintenance.

Rugged Durability

The wide -40° F to 160° F operating temperature range found in UWZ and FWZ series hour meters allows the controls to withstand intense weather conditions without issue. This makes them an ideal solution for rigorous outdoor applications, particularly in high-stress climates.



High Visibility Displays

Improve meter reading accuracy and speed using the vibrant, rolling digits found on Intermatic hour meters. UWZ series solutions include a high-visibility orange tenths digit, while FWZ and GZ Series solutions offer yellow hundredths and tenths numerals.

Flexible Mounting Options

Panel-mount hour meters can be placed in the opening of a control panel with the face remaining visible from the outside, whereas surface-mount hour meters are commonly screwed to flat surfaces. Our simple-to-install DIN rail-mounted solutions (UWZ series) are designed to be secured to a rail.



Contents

| | |
|---|-----|
| AC Hour Meters (Non-Reset Type) | 102 |
| DC & Vibratory Hour Meters (Non-Reset Type) / AC Hour Meters (Non-Reset Type) | 103 |
| AC Hour Meters (Non-Reset Type) and Accessories | 104 |
| Dimensional Drawings | 105 |



Hour Meters

AC Hour Meters (Non-Reset Type)

The FWZ Series AC Hour Meters are flush panel mountable designed to fit into tight locations. They are non-resettable with watertight/dust-tight sealed bezels designed to withstand IP54 environmental rating (with use of a gasket). All models are black plastic (except FWZ72B which is blue-silver on colorless frosted polycarbonate) with white numerals on a black background. Tenths and hundredths numerals are yellow.



FWZ55 Series

FLUSH, PANEL



| Ratings | |
|------------------------------|---|
| Voltage Available | 120 or 240 VAC |
| Frequency | 60 Hz |
| Power Consumption | 1 VA |
| Bezel H x W | 1.18" x 2.17" (30 mm x 60 mm) |
| Capacity | 99999.99 hours |
| Numerals | 0.16" high numerals |
| Operating Temperature | -40°F - 160°F (-40°C - 72°C) |
| Electrical Connection | Combination 1/4" spade and screw clamp, Rear access screw terminals available (Model "K") |
| Panel Opening H x W | 1.08" x 2.06" (27.5 mm x 52 mm) |
| Mounting | Flush panel retainer mounted with slip-on retaining bracket |
| Material | Black Plastic |
| Ordering Information | FWZ55 + K* + Desired Voltage + Frequency + U |
| Warranty | 1-Year limited |

*Rear access screw terminals

FWZ72 Series

FLUSH PANEL MOUNT



| Ratings | |
|------------------------------|---|
| Voltage Available | 24, 120 or 240 VAC |
| Frequency | 60 Hz |
| Power Consumption | 1 VA |
| Bezel | 2.83" round (72 mm), 3-Hole |
| Capacity | 99999.99 hours |
| Digits | 0.16" (4.1 mm) high numerals |
| Operating Temperature | -40°F - 160°F (-40°C - 72°C) |
| Electrical Connection | Combination 1/4" spade and screw clamp, Rear access screw terminals available (Model "K") |
| Panel Opening Round | 1.75" (44.4 mm) |
| Rectangular | 1" x 1.5" (24 mm x 38 mm) |
| Mounting | Flush panel retainer mounted (3) 0.185" holes for #8 screws |
| Material | FWZ72: 24 or 120 VAC Black Plastic FWZ72K: 240 VAC Black Plastic FWZ72B: 120 or 240 VAC Blue and Silver on Frosted Clear Polycarbonate FWZ72C: 120 VAC Clear Frosted Plastic |
| Gasket Model # | G-72U (sold separately) |
| Ordering Information | FWZ72 + Suffix K*, B, or C + Desired Voltage + Frequency + U |
| Warranty | 1-Year limited |

*Rear access screw terminals

ORDERING EXAMPLE

To build a model #, choose the Hour Meter Series at the frequency you want. Add a "K" suffix for rear access screw terminals (on applicable models). Then specify voltage. Only 50 Hz models need to be denoted in the model #. Non "U" models indicate bulk pack. Voltages not currently available will be considered on a case by case basis.

| Series | + | K | + | VAC | + | Hz | + | U | = | Model # |
|--------|---|---|---|-----|---|----|---|---|---|------------|
| FWZ55 | + | K | + | 240 | + | 60 | + | U | = | FWZ55K-240 |

ORDERING EXAMPLE

To build a model #, choose the Hour Meter Series at the frequency you want. Add a "K" suffix for rear access screw terminals (on applicable models). All models are 60 Hz. Add a "B" or "C". Then specify voltage. Non "U" models indicate bulk pack. Voltages not currently available will be considered on a case by case basis.

| Series | + | K, B or C | + | VAC | + | U | = | Model # |
|--------|---|-----------|---|-----|---|---|---|-------------|
| FWZ72 | + | B | + | 240 | + | U | = | FWZ72B-240U |



GZ40AU Series
FLUSH MOUNT

The GZ Series DC Hour Meters are the answer to applications requiring low power load usage metering. Compact, tamper-proof GZ40 meters are sealed against the environment (IP rated up to IP66) to provide years of service. Accumulated load usage hours are stored in the mechanical indicating counter; therefore, no battery is required to maintain elapsed time. An input diode provides polarity protection. A quartz crystal time base ensures accurate, long-term timekeeping.



| Ratings | |
|------------------------------|---------------------------------------|
| Voltage Available | 10-80 VDC |
| Power Consumption | 0.03W, 12 VDC, 0.7W, 48VDC |
| Bezel | 2.31" (59 mm), SAE |
| Capacity | 99999.9 hours |
| Digits/Display | 0.125" (3.2 mm) high numerals |
| Hours Color | White on Black |
| Tenths Color | Red on White |
| Vibration Resistance | 1-8 g, 10-75 Hz |
| Operating Temperature | -22°F - 150°F (-30°C - 65°C) |
| Electrical Connection | ¼" Spade termination |
| Mounting | Flush with Bracket |
| Protected From | Reverse Polarity, Inductive Switching |
| Environmental Rating | IP66 |
| Warranty | 1-Year limited |



UWZ48 Series
PLUG-IN SURFACE MOUNT

The UWZ48 Surface Mount Hour Meter uses a plug-in base where terminal protection is not necessary. The socket base is easy to install and connect. Simply plug the meter into the base and secure with a screw.



| Ratings | |
|------------------------------|-------------------------------|
| Voltage Available | 24, 120 or 240 VAC |
| Frequency | 60 Hz |
| Power Consumption | 1 VA |
| Bezel H x W | 1.89" x 1.89" (48 mm x 48 mm) |
| Capacity | 99999.99 hours |
| Digits | 0.16" high numerals |
| Operating Temperature | -40°F - 160°F (-40°C - 72°C) |
| Electrical Connection | Screw lugs |
| Mounting | Surface |
| Material | Light Gray Plastic |
| Ordering Information | UWZ48 + Desired Voltage + U |
| Warranty | 1-Year limited |

ORDERING EXAMPLE

To build a model #, choose the Hour Meter Series at the voltage you need and add a U suffix. Non "U" models indicate bulk pack. All models are 60 Hz.

| Series | + | VAC | + | U | = | Model # |
|--------|---|-----|---|---|---|------------|
| UWZ48 | + | 240 | + | U | = | UWZ48-240U |



Counting Down to Your Next Project

Each of the three hour meter categories offers a unique set of features and benefits.

Panel-mount hour meters are placed in the opening of a control panel with the face remaining visible from the outside, whereas **surface-mount** hour meters are commonly screwed to flat surfaces. **DIN rail-mounted** solutions (UWZ series) are designed to be secured to a rail or placed within a DIN rail control box. Scan the qr code for a list of all available products.



FWZ SERIES

- Accommodates flush- or panel-mount applications
- 24, 120, 220 or 240 VAC (depending upon model)
- Accurate at 99,999.99 (tenths and hundredths place value)
- P54 protection rating
- Non-resettable Scan the qr code for a list of available products.

UWZ SERIES

- Accommodates surface-mount, enclosed surface-mount and DIN rail-mount applications
- 24, 120 or 240 VAC (depending upon model)
- Accurate at 99,999.99 (tenths and hundredths place value)
- Ideal for electrical panel applications
- IP20 rating for indoor applications
- Non-resettable

GZ SERIES

- Round flush-mount design
- Available from 8 VDC to 80 VDC (depending on model)
- Monitors activity up to 100,000 hours
- Accurate at 99,999.99 (tenths place value)
- Quartz crystal for enhanced timing accuracy
- Protection rating up to IP66
- Non-resettable

Hour Meters

AC Hour Meters (Non-Reset Type) and Accessories



UWZ48V Series DIN RAIL MOUNT

A special snap-on socket base allows for fast positioning onto a DIN rail.



| Ratings | |
|------------------------------|--|
| Voltage Available | 24 or 120 VAC |
| Frequency | 60 Hz |
| Power Consumption | 1 VA |
| Bezel H x W | 1.89" x 1.89" (48 mm x 48 mm) |
| Capacity | 99999.99 hours |
| Digits | 0.16" high numerals |
| Operating Temperature | -40°F - 160°F (-40°C - 72°C) |
| Electrical Connection | Combination 1/4" spade and screw clamp |
| Mounting | DIN Rail |
| Material | Light Gray Plastic |
| Ordering Information | UWZ48V + Desired Voltage + U |
| Warranty | 1-Year limited |

ORDERING EXAMPLE

To build a model #, choose the Hour Meter Series at the frequency you want. Then specify voltage and add a U suffix. Non "U" Models indicate bulk pack. All models are 60 Hz.

| Series | + | VAC | + | U | = | Model # |
|--------|---|-----|---|---|---|-------------|
| UWZ48V | + | 240 | + | U | = | UWZ48V-240U |



UWZ48E Series FLUSH MOUNT

Flush mounted with bracket, the UWZ48E unit fits into a 1.79" x 1.79" (45.5 x 45.5 mm) cutout. The thickness of the panel for flush mounting can be up to .35" (9 mm). The unit is secured in position by a plastic slip-on retaining bracket. The unit also fits square or round openings for 72 mm with optional 72 mm bezel.



| Ratings | |
|------------------------------|--|
| Voltage Available | 24, 120 or 240 VAC |
| Frequency | 60 Hz |
| Power Consumption | 1 VA |
| Bezel H x W | 1.89" x 1.89" (48 mm x 48 mm) |
| Capacity | 99999.99 hours |
| Digits | 0.16" high numerals |
| Operating Temperature | -40°F - 160°F (-40°C - 72°C) |
| Electrical Connection | 1/4" Spade w/ screw clamp |
| Mounting | Flush |
| Material | Light Gray Plastic |
| Ordering Information | UWZ48E + Desired Voltage + Frequency + U |
| Warranty | 1-Year limited |

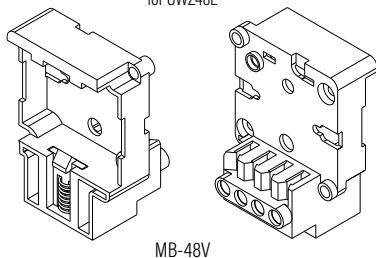
ORDERING EXAMPLE

To build a model #, choose the Hour Meter Series at the frequency you want. Then specify voltage and add a U suffix. Non "U" Models indicate bulk pack. Only 50 Hz models need to be denoted in the model #.

| Select: | Series | + | VAC | + | Hz | = | Model # |
|---------------|--------|---|-----|---|------|---|------------|
| 60 Hz Models: | UWZ48E | + | 24 | + | (60) | = | UWZ48E-240 |

UWZ ACCESSORIES

DIN Rail Mounting Base for UWZ48E



MB-48V

55 mm Bezel for UWZ48E



BEZ-55BLACKU

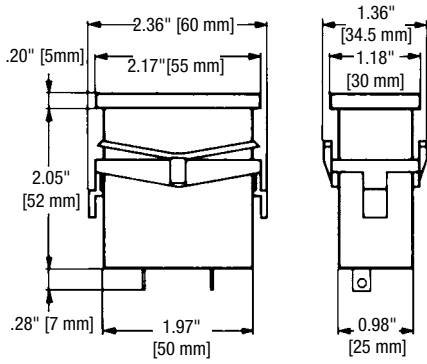
BEZ-55GRAYU

72 mm Bezel with 3 Pins for round 3-bolt hole opening for UWZ48E

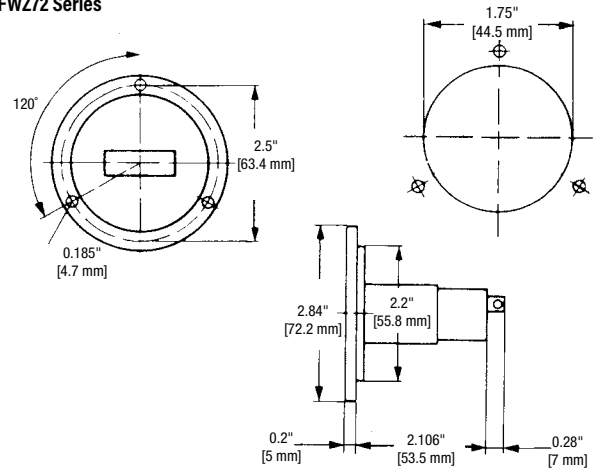


BEZ-72PU Gray

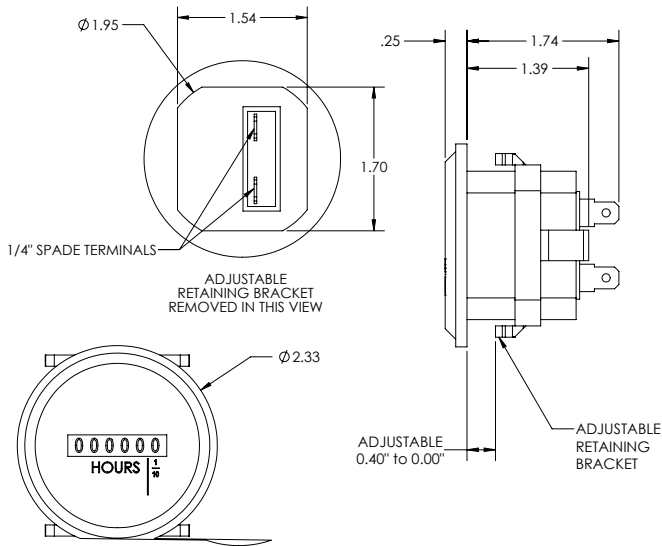
DIMENSIONS
FWZ55 Series



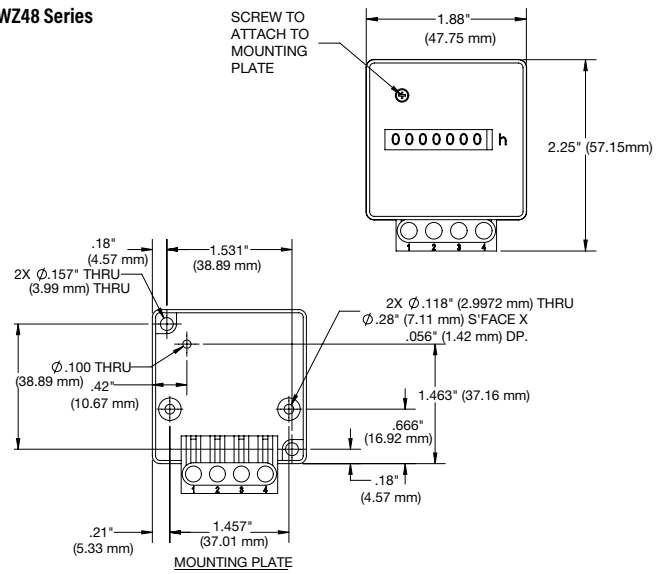
DIMENSIONS
FWZ72 Series



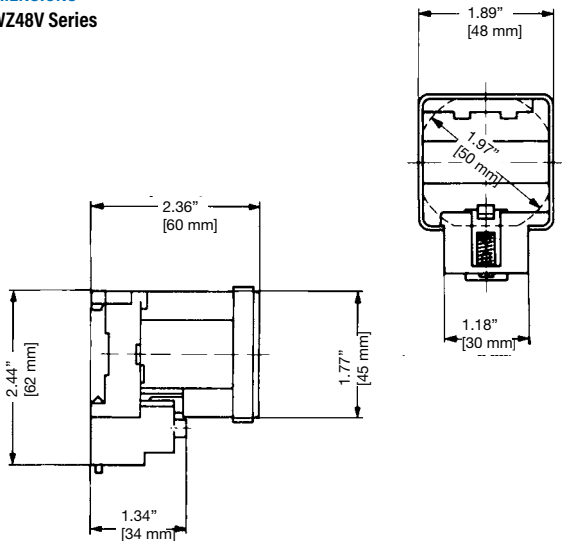
DIMENSIONS
GZ40AU Series



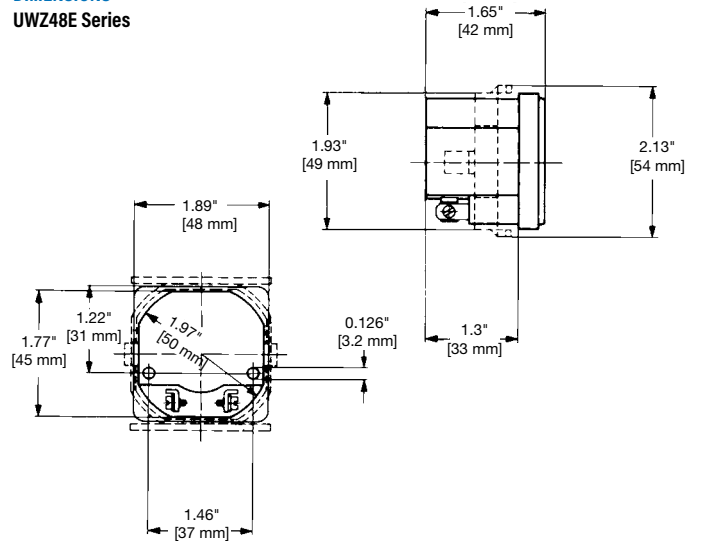
DIMENSIONS
UWZ48 Series



DIMENSIONS
UWZ48V Series



DIMENSIONS
UWZ48E Series



Refrigeration Temperature Control Solutions

From commercial kitchens to neighborhood convenience stores, properly managing the refrigeration needs of coolers, chillers and cooking equipment is essential to success. Our versatile refrigeration temperature controls offer a proven solution for refrigeration applications.



Ice Refrigeration Machine

Keep ice machines working at peak efficiency with our range of digital temperature controllers. These solutions can be placed conveniently in both new and retrofit refrigeration applications.

Reach-In Refrigeration Cooler

Boost energy efficiency in applications ranging from frozen novelty chests to convenience store wall coolers.



Refrigeration Merchandiser

Ensure refrigeration displays and merchandisers keep their cool with our easy-to-integrate time switches and temperature controls.

Walk-In Refrigeration Cooler/Freezer

Our robust defrost timers are the perfect fit for commercial walk-in cooler/freezer applications.



Contents

| | |
|---|-----|
| 24-Hour Electromechanical Defrost Timer | 108 |
| 24-Hour and/or 7-Day Electronic Defrost Timer | 110 |
| DTAV40 Wiring Diagrams/Enclosure and Bracket Dimensions ... | 111 |
| Panel Mount Refrigeration Controllers | 112 |
| Split Mount Refrigeration Controllers | 114 |
| Controller Wiring Diagrams | 116 |
| Accessories | 117 |

Additional Solutions and Resources

Ready to get started? Scan the QR code to the right for a variety of helpful resources, including sell sheets, product instructions, installation videos and more.





DTAV40

DTAV40 Inside



DTAV40 Series

24-HOUR ELECTROMECHANICAL DEFROST TIMER

For electric heat, hot gas or compressor shutdown defrost. The Intermatic DTAV40 Series Auto Voltage Defrost Timer is applicable to air defrost (compressor shutdown) and electric or hot gas defrost systems where the defrost cycle is terminated by the timer. If the coil is frost-free, the timer can also be terminated by temperature or pressure switches before the programmed defrost termination time has been reached. The time termination functions as a fail-safe and terminates the defrost cycle if the temperature or pressure switch fails to do so.

Applications

- Walk-in Refrigeration Cooler/Freezer

Features

- Adaptive Defrost upgradeable (DTAV40, DTAV40M only) (See ICUBE™)
- DTAV40 Series replaces over 40 competitive models
- 40 A, 2 HP Rating
- Auto-voltage automatically adjusts between 120 and 240 VAC
- Q model features self-recharging battery backup with 72-hour carry-over
- Can mount in an existing enclosure – no tools required for installation
- Moisture resistant conformal-coated board
- LED indicators for defrost and refrigeration cycles
- Defrost cycles are programmed independently
- "Real-time" clock face for quick, easy and accurate setting
- Defrost times programmable in 15-minute intervals
- Captive trippers won't get lost
- Finger-safe box lug terminals

| Ratings | |
|-----------------------|---|
| Input Voltage | 120/240 VAC, 60 Hz |
| Quartz | 120/240 VAC, 50/60 Hz |
| Switch Type | 1 SPDT, 1 NC SPST |
| Resistive | 40 A, 120-240 VAC |
| Motor | 1 HP, 16 FLA, 96 LRA @ 120 VAC, 2 HP, 12 FLA, 72 LRA @ 240 VAC |
| Operating Temperature | -40°F - 104°F (-40°C - 40°C) |
| Operating Humidity | 0-95% RH, Non-condensing |
| Wiring Connections | Screw box lug terminals up to one #8 AWG wire |
| Enclosure/Mounting | Outdoor type 3R plastic, Bracket |
| Min ON/OFF Times | 15-min |
| Max ON/OFF Times | 23 hours, 45 min |
| Electrical Life | 50,000 operations at full load |
| Warranty | 1-Year limited |

| Model # | Enclosure | Backup Protection Time |
|---------|-------------------------|------------------------|
| DTAV40 | Outdoor type 3R plastic | None |
| DTAV40Q | Outdoor type 3R plastic | 72 Hours |
| DTAV40M | Mechanism Only | None |

ACCESSORIES

| Model Number | Description |
|--------------|-----------------------|
| DT-B | Defrost Timer Bracket |

Note: Bracket dimensions on page 117



Give HVAC Maintenance Issues the Cold Shoulder

An Ice Cold Original: DTAV40 Defrost Timer

Simplify HVAC installations and reduce maintenance needs with the DTAV40 Defrost Timer, a 24-hour electromechanical control from Intermatic. The versatile defrost control mounts onto existing enclosures (no tools required) and serves as an easy replacement solution for more than 40 competing timers. It can be installed as a standalone solution or retrofit with the ICUBE™ Adaptive Defrost Module to improve energy efficiency, all without replacing the existing enclosure.



ICUBE™ ADAPTIVE DEFROST CONTROL MODULE

Whether you're installing a total time clock replacement or looking for a fast retrofit, the Intermatic ICUBE™ technology is an easy-to-integrate adaptive defrost solution for commercial and industrial refrigeration systems. When ICUBE technology is used with the Intermatic DTAV40 Defrost Timer it will reduce the overall defrost frequency within the cooler or freezer by up to 40% or more. The smart-sensing technology continuously monitors evaporator coil temperatures in walk-in coolers and freezers and only allows defrosting when necessary at the next programmed timer interval.

Applications

- Walk-in Refrigeration Cooler/Freezer

Features

- Stand-alone module assembles directly into existing Intermatic DTAV40 Defrost Timers (DTAV40 Only)
- Energy-saving adaptive defrost only defrosts evaporator coils when necessary
- LED indicator conveys status and fault conditions, including efficiency mode and probe fault
- Maintains the timer's scheduling to reduce frequent defrost initiations during high usage times
- Reaches remote condensing units up to 400 ft. with typical field-used 18 gauge shielded or unshielded wire
- Four sensor inputs accommodate up to four evaporators or multiple sensor locations for larger coils
- The stand-alone module (model# DDFM) simply installs underneath the existing DTAV40 FM-Timer Module
- Sensing wire can be routed through existing conduit



DDT40

DDFM



| Model # | Description |
|------------|--|
| DDFM | ICUBE™ Adaptive Defrost Refrigeration Module with Sensor |
| DDT40 | Complete Adaptive Defrost Refrigeration Time Control with ICUBE™ Module, Sensor, and Type 3R Enclosure |
| 178GR10K-1 | Additional Separate Sensor Accessory (for Multiple Evaporator Applications) |

| Ratings- DDFM | |
|-----------------------|------------------------------|
| Thermistor* | 10 K Ω @ 25° C (77° F) |
| Wire Size | #24 AWG |
| Working Range | -40°F - 152°F (-40°C - 67°C) |
| Thermistor Probe Type | NTC |
| Probe Wire Length | 10 ft (3.05 m) |
| Connector Wire Length | 6 ft (1.83 m) |
| Warranty | 1-Year limited |

*Thermistor probe connections are not an isolated Class 2 circuit.
Only use a thermistor probe specified for use with DDFM model.

| Ratings- DDT40 | |
|-----------------------|---|
| Input Voltage | Auto Voltage 120-240 VAC, 60 Hz |
| Switch Type | 1 SPDT, 1 NC SPST |
| Resistive | 40 A, 120-240 VAC, 60 Hz |
| Motor | 1 HP, 16 FLA, 96 LRA @ 120 VAC, 2 HP, 12 FLA, 72 LRA @ 240 VAC |
| Operating Temperature | -40°F - 131°F (-40°C - 55°C) |
| Operating Humidity | 0-95% RH, Non-condensing |
| Wiring Connections | Finger safe terminals |
| Enclosure/Mounting | Outdoor type 3R plastic |
| Min ON/OFF Times | 15-min |
| Max ON/OFF Times | 23 hours, 45 min |
| Warranty | 1-Year limited |

SETTING DEFROST TIMES



Configure defrost times easily! Just scan the QR code with your smartphone or tablet for details on how to choose a defrost starting time.



Refrigeration Temperature Controls

24-Hour and/or 7-Day Electronic Defrost



DTAV40E2

DTAV40E2 Inside

DTAV40E2 Series

TIME INITIATED AND TEMPERATURE, PRESSURE OR TIME TERMINATED 40 A AUTO-VOLTAGE ELECTRONIC DEFROST TIMER

The Intermatic DTAV40E2 Electronic Auto-voltage Defrost Timer has flexible 7-day scheduling and to-the-minute defrost duration control to increase system efficiency (decrease defrost scheduling during low demand periods). It is applicable to air defrost (compressor shutdown) and electric or hot gas defrost systems where the defrost cycle is terminated by the timer. If the coil is frost-free, the timer can also be terminated by temperature or pressure switches before the programmed defrost termination time has been reached. The time termination functions as a fail-safe and cancels the defrost cycle if the temperature or pressure switch fails to do so.

APPLICATIONS

- Walk-in Refrigeration Cooler/Freezer

FEATURES

- 24-Hour/7-Day flexible scheduling increases system efficiency
- 40 A, 2 HP rating
- DTAV40E2 replaces over 40 competitive models
- Auto-voltage automatically adjusts between 120 and 240 VAC, 50/60 Hz
- Self-recharging battery backup with 2500-hour carry-over
- Can mount in an existing enclosure – no tools required for installation
- LED indicators for defrost and refrigeration cycles
- Finger-safe box lug terminals
- Simple to program electronic timer



#E10694

| Ratings | |
|-----------------------|---|
| Input Voltage | 120/240 VAC, 50/60 Hz |
| Switch Type | 1 SPDT, 1 NC SPST |
| Resistive | 40 A, 120-240 VAC |
| Motor | 1 HP, 16 FLA, 96 LRA @ 120 VAC, 2 HP, 12 FLA, 72 LRA @ 240 VAC |
| Operating Temperature | -13°F - 104°F (-25°C - 40°C) |
| Operating Humidity | 0-95% RH, Non-condensing |
| Wiring Connections | Screw box lug terminals up to one #8 AWG wire |
| Enclosure/Mounting | Outdoor type 3R plastic with bracket |
| Min ON/OFF Times | 1 min |
| Max ON/OFF Times | 23 hours, 59 min |
| Electrical Life | 50,000 operations at full load |
| Warranty | 1-Year limited |

| Model # | Enclosure | Battery Backup |
|----------|-------------------------|----------------|
| DTAV40E2 | Outdoor type 3R plastic | 2500 Hours |

*For mounting & enclosure dimensions see next page.
For wiring examples see next page.*

SET UP SYSTEM SCHEDULING



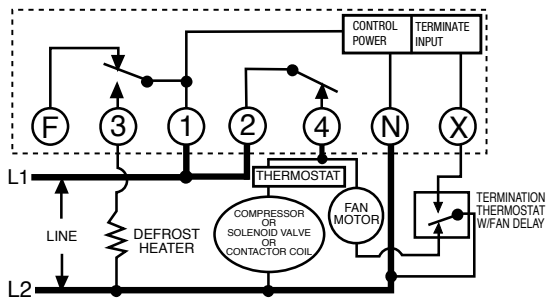
The electronic face and programming buttons make scheduling straightforward and easy. Just scan the QR code with your smartphone or tablet for details.



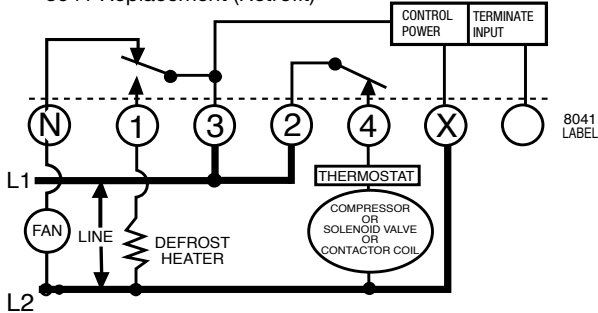
DTAV40 WIRE DIAGRAMS

Wiring diagrams in powered refrigeration mode.

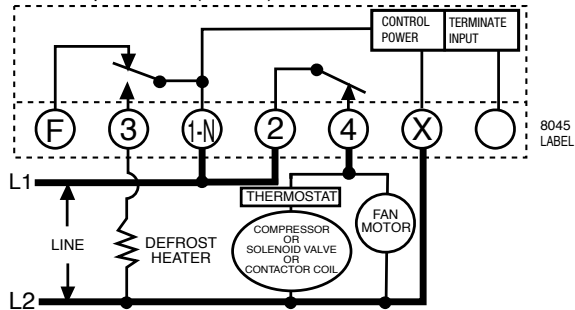
8145 R eplacement (Retrofit)
DTAV40 Default Out of Box



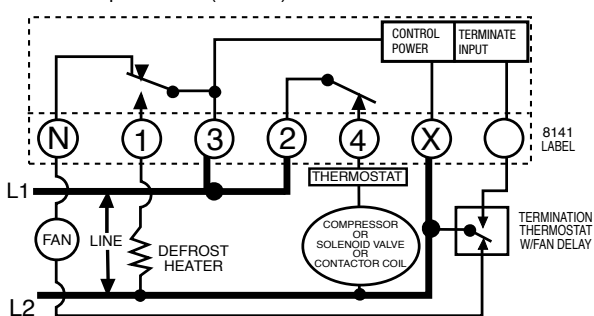
8041 Replacement (Retrofit)



8045 Replacement (Retrofit)

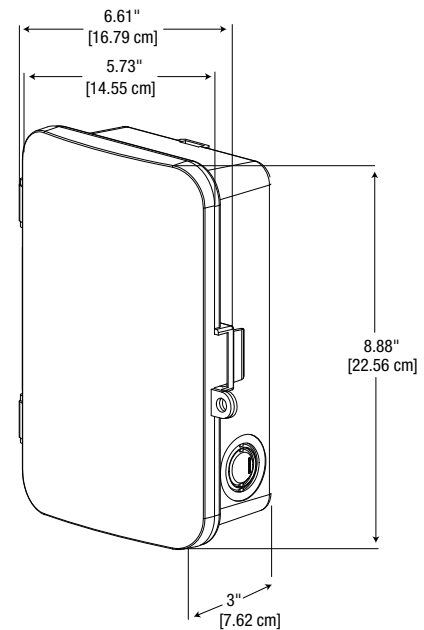


8141 Replacement (Retrofit)

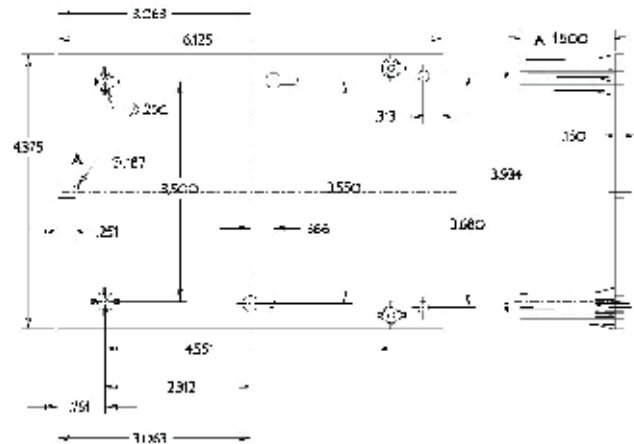


Equivalent in function, terminal identification, and wiring allows for quick and easy installation.

TYPE 3R ENCLOSURE DIMENSIONS



DT-B BRACKET DIMENSIONS



Note: All dimension in inches. Drawing not to scale.

Universal Replacement (See wiring diagrams for examples)

| Intermatic | Paragon | | Precision | |
|------------|---------|---------|-----------|---------|
| DTAV40 = | 8141-00 | 8143-20 | 6141-00 | 6143-20 |
| | 8143-00 | 8145-20 | 6143-00 | 6145-20 |
| | 8145-00 | 8041-20 | 6145-00 | 6041-20 |
| | 8041-00 | 8045-20 | 6041-00 | 6045-20 |
| | 8043-00 | 8047-20 | 6043-00 | 6047-20 |
| | 8045-00 | 8245-20 | 6045-00 | 6245-20 |
| | 8047-00 | 8247-20 | 6047-00 | 6247-20 |
| | 8141-20 | | 6141-20 | |

Equivalent in function, terminal identification, and wiring allows for quick and easy installation.



CD5-01WHRW-I

CD5

UNIVERSAL PANEL MOUNT REFRIGERATION CONTROLLERS FOR LT & HT APPLICATIONS

The CD5 Universal Panel Mount controller from LAE by Intermatic is a flexible solution for reach-in, self-contained refrigeration & freezer cases. The controller can be configured to be used on a wide variety of self-contained systems. The controller has been designed to function efficiently with today's advanced self-contained systems including those using R290, EC motors and LED lighting.

APPLICATIONS

- Ice Refrigeration Machine • Reach-In Refrigeration Cooler

FEATURES

- 3 Relays
- 1 Solid State Relay (EC motor control)
- 2-3 Sensors
- NTC10K & PTC1000 selectable
- 1-2 Digital inputs
- Universal Voltage, 115 VAC - 240 VAC
- R290 Compatible
- IP55 Front Protection
- -50° F to 248° F (-50° C to 120° C) Control range
- RS485 Communications Standard



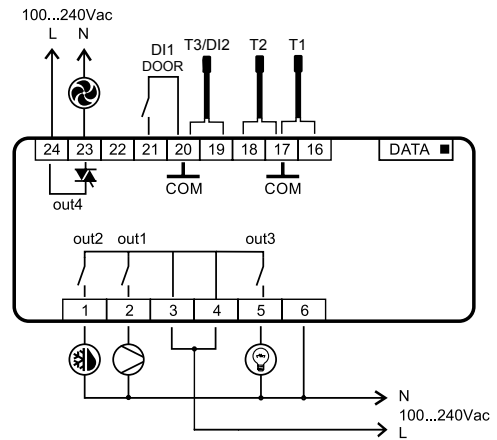
UL60730-1

2011/65/EU

| Ratings | |
|------------------------|---|
| Input Voltage | 100-240 VAC, 50/60 Hz |
| Resistive Load Ratings | |
| Compressor | 10 (2) A @ 240 VAC |
| Defrost | 15 (5) A @ 240 VAC |
| Fan | 10 (2) A @ 240 VAC |
| AUX1 | 1 A (30 A/1 mS) |
| Relay Type | SPST |
| Minimum Cycle Time | 1 min |
| Storage Temperature | 14°F - 122°F (-10°C - 50°C) |
| Real-time Clock Face | No |
| Wire Size | #10 AWG |
| Panel Cut-Out H x W | 1.14" x 2.80" (29 mm x 71 mm) |
| Dimensions H x W x D | 1.34" x 2.76" x 2.76" (34 mm x 70 mm x 70 mm) |
| Operating Humidity | 0-80% RH, Non-condensing |
| Operating Temperature | 14°F - 122°F (-10°C - 50°C) |
| Electrical Life | 100,000 operations at full load |
| Warranty | 5-Year limited |

| Model # | Circuits | Input Voltage | Enclosure Type | Mounting |
|--------------|----------|-----------------------|----------------|----------|
| CD5-01WHRW-I | 4 | 100-240 VAC, 50/60 Hz | IP55 Front | Panel |

CD5 WIRING DIAGRAM



Reliable Solutions for Everyday Needs

Digital Temperature Controllers and Custom Solutions

From commercial kitchens to neighborhood convenience stores, properly managing refrigeration and cooking needs of coolers, chillers and cooking equipment is essential to success.

LAE by Intermatic Digital Temperature Controllers offer a proven solution for essential refrigeration and cooking needs. Our versatile lineup of controllers integrates seamlessly in panel-mount and split-mount applications. Likewise, extensive customization options combined with our team's rich industry knowledge allow us to be a resource to manufacturers that are looking to bring their ideas to life.





AT1-5BS6E-ALI

AT1-5 PANEL MOUNT REFRIGERATION CONTROLLERS FOR HT APPLICATIONS

The AT1-5 Panel-Mount Controller family are compact and capable, providing excellent control options in a small package. The AT1-5 family of controllers feature 1-2 relays, one temperature sensor and a digital input. Ideal for medium temperature self-contained refrigeration systems.

APPLICATIONS

• Ice Refrigeration Machine • Reach-In Refrigeration Cooler

FEATURES

- 1-2 Relays
- 1 Sensor
- NTC10K & PTC1000 selectable
- 1 Digital input
- IP55 Front Protection
- -50° F to 248° F (-50° C to 120° C) Control range
- 14° F to 122° F (-10° C to 50° C) Ambient conditions
- RS485 Communications Options

| Model # | Circuits | Input Voltage | Enclosure Type | Mounting |
|---------------|----------|------------------------|----------------|----------|
| AT1-5BS6E-ALI | 2 | 230 VAC ±10%, 50/60 Hz | IP55 Front | Panel |
| AT1-5BS6E-BGI | 2 | 230 VAC ±10%, 50/60 Hz | | |
| AT1-5AS5E-GI | 1 | 230 VAC ±10%, 50/60 Hz | | |
| AT1-5AS5U-BGI | 1 | 115 VAC ±10%, 50/60 Hz | | |
| AT1-5BS2E-BGI | 2 | 230 VAC ±10%, 50/60 Hz | | |
| AT1-5BS6U-BGI | 2 | 115 VAC ±10%, 50/60 Hz | | |

For wire diagrams see page 116.



| Ratings | |
|------------------------|---|
| Input Voltage | See Model Table |
| Resistive Load Ratings | |
| Compressor | 16 (8) A @ 240 VAC |
| Fan | 7 (2) A @ 240 VAC |
| Relay Type | SPST |
| Minimum Cycle Time | 1 min |
| Storage Temperature | 14°F - 122°F (-10°C - 50°C) |
| Real-time Clock Face | No |
| Wire Size | #10 AWG |
| Panel Cut-Out H x W | 1.14" x 2.80" (29 mm x 71 mm) |
| Dimensions H x W x D | 1.34" x 70" x 2.76" (34 mm x 70 mm x 70 mm) |
| Operating Humidity | 0-80% RH, Non-condensing |
| Operating Temperature | 14°F - 122°F (-10°C - 50°C) |
| Electrical Life | 100,000 operations at full load |
| Warranty | 5-Year limited |



AT2-5BS4E-ALI

AT2-5 PANEL MOUNT REFRIGERATION CONTROLLERS FOR LT & HT APPLICATIONS

The AT2-5 Panel-Mount Controller family are compact and capable, providing excellent control options in a small package. The AT2-5 family of controllers feature 3 relays, two temperature sensors and a digital input. Ideal for low or medium temperature self-contained refrigeration systems.

APPLICATIONS

• Ice Refrigeration Machine • Reach-In Refrigeration Cooler

FEATURES

- 3 Relays
- 1-2 Sensors
- NTC10K & PTC1000 selectable
- 1 Digital input
- IP55 Front Protection
- -50° F to 248° F (-50° C to 120° C) Control range
- 14° F to 122° F (-10° C to 50° C) Ambient conditions
- RS485 Communications Options

| Model # | Circuits | Input Voltage | Enclosure Type | Mounting |
|---------------|----------|------------------------|----------------|----------|
| AT2-5BS4E-ALI | 3 | 230 VAC ±10%, 50/60 Hz | IP55 Front | Panel |
| AT2-5BS4E-GI | 3 | 230 VAC ±10%, 50/60 Hz | | |
| AT2-5BS4U-BGI | 3 | 115 VAC ±10%, 50/60 Hz | | |

For wire diagrams see page 116.



| Ratings | |
|------------------------|---|
| Input Voltage | See Model Table |
| Resistive Load Ratings | |
| Compressor | 16 (8) A @ 240 VAC |
| Fan | 7 (2) A @ 240 VAC |
| AUX1 | 7 (2) A @ 240 VAC |
| Relay Type | SPST |
| Minimum Cycle Time | 1 min |
| Storage Temperature | 14°F - 122°F (-10°C - 50°C) |
| Real-time Clock Face | No |
| Wire Size | #10 AWG |
| Panel Cut-Out H x W | 1.14" x 2.80" (29 mm x 71 mm) |
| Dimensions H x W x D | 1.34" x 2.76" x 2.76" (34 mm x 70 mm x 70 mm) |
| Operating Humidity | 0-80% RH, Non-condensing |
| Operating Temperature | 14°F - 122°F (-10°C - 50°C) |
| Electrical Life | 100,000 operations at full load |
| Warranty | 5-Year limited |

Refrigeration Temperature Controls

Split Mount Refrigeration Controllers



BIT25-B1S3U-BI

BIT25

SPLIT MOUNT REFRIGERATION CONTROLLERS FOR LT & HT APPLICATIONS

The BIT25 Split Controllers are designed to excel in more demanding applications and provide additional control options for more sophisticated equipment. The BIT25 controllers can be mounted to a wiring chase or with the refrigeration equipment, eliminating the need for long runs of control wiring. The BIT25 features 3 highly rated relays and universal power.

APPLICATIONS

- Ice Refrigeration Machine • Reach-In Refrigeration Cooler

FEATURES

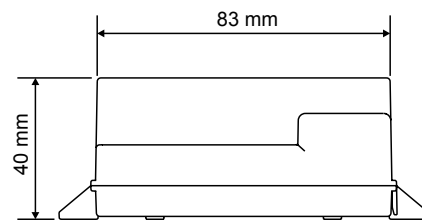
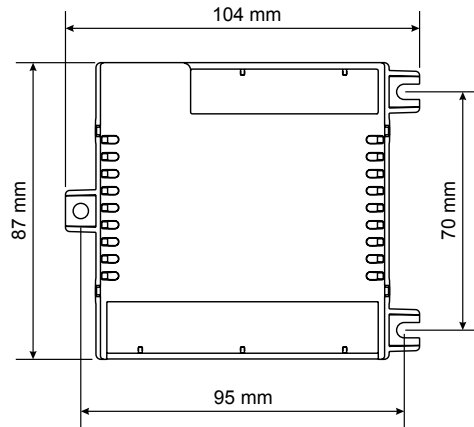
- 3 Relays
- 1-2 Sensors
- NTC10K & PTC1000 selectable
- 1 Digital input
- IP55 Front Protection
- 100-240 VAC, 50/60 Hz., or Universal Power Supply
- -50° F to 248° F (-50° C to 120° C) Control range
- 14° F to 122° F (-10° C to 50° C) Ambient conditions
- RS485 Communications Options



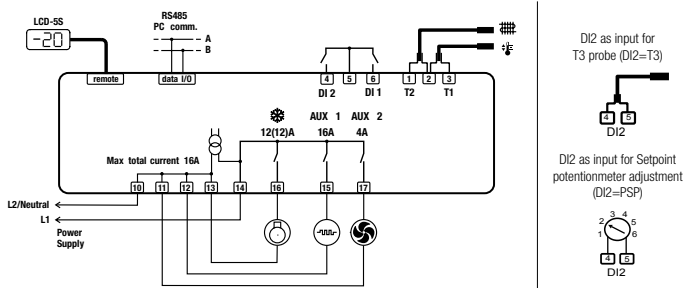
| Ratings | |
|------------------------|---|
| Input Voltage | See Model Table |
| Resistive Load Ratings | |
| Compressor | 12 (12) A @ 240 VAC |
| AUX1 | 16 A @ 240 VAC |
| AUX2 | 4 A @ 240 VAC |
| Relay Type | SPST |
| Minimum Cycle Time | 1 min |
| Storage Temperature | 14°F - 122°F (-10°C - 50°C) |
| Real-time Clock Face | No |
| Wire Size | #10 AWG |
| Panel Cut-Out H x W | 1.14" x 2.80" (29 mm x 71 mm) |
| Dimensions H x W x D | 1.57" x 3.27" x 2.76" (40 mm x 83 mm x 70 mm) |
| Operating Humidity | 0-80% RH, Non-condensing |
| Operating Temperature | 14°F - 122°F (-10°C - 50°C) |
| Electrical Life | 100,000 operations at full load |
| Warranty | 5-Year limited |

| Model # | Circuits | Input Voltage | Enclosure | Mounting |
|----------------|----------|----------------------------|------------|----------|
| BIT25-B1S3U-BI | 3 | 115 VAC ±10%, 50/60 Hz | IP55 Front | DIN |
| BIT25-B1S3W-BI | 3 | 110-240 VAC ±10%, 50/60 Hz | | |
| BIT25-B1S3E-BI | 3 | 230 VAC ±10%, 50/60 Hz | | |

BIT25 DIMENSIONS



BIT25 WIRING DIAGRAM





BR1-28C1Q5WH-B



BD1-28C1S5W-BI

BR1-28

SPLIT MOUNT REFRIGERATION CONTROLLERS WITH RTC FOR LT & HT APPLICATIONS

The BR1-28 Split Controllers are designed to excel in more demanding applications and provide additional control options for more sophisticated equipment. The BR1-28 controllers can be mounted to a wiring chase or with the refrigeration equipment, eliminating the need for long runs of control wiring. The BR1-28 feature 3-5 highly rated relays and 2-3 sensors along with 2 digital inputs and RTC for exact timing of programmed events.

APPLICATIONS

- Ice Refrigeration Machine • Reach-In Refrigeration Cooler

FEATURES

- 3-5 Relays
- 3 Sensors
- NTC10K & PTC1000 selectable
- 1 Digital input
- IP55 Front Protection
- 100-240 VAC, 50/60 Hz., or Universal Power Supply
- R290 Rated Optional
- -50° F to 248° F (-50° C to 120° C) Control range
- 14° F to 122° F (-10° C to 50° C) Ambient conditions
- RS485 Communications Options

| Model # | Circuits | Input Voltage | Enclosure | Mounting |
|-----------------|----------|----------------------------|------------|----------|
| BR1-28C1Q5WH-B | 5 | 100-240 VAC ±10%, 50/60 Hz | IP55 Front | DIN |
| BR1-28C1S4WH-BI | 4 | 100-240 VAC ±10%, 50/60 Hz | | |
| BR1-28B0Q3W-AI | 3 | 100-240 VAC ±10%, 50/60 Hz | | |
| BR1-28C1Q5WH-BI | 5 | 100-240 VAC ±10%, 50/60 Hz | | |



| Ratings | |
|------------------------|--|
| Input Voltage | See Model Table |
| Resistive Load Ratings | |
| Compressor | 16 (12) A @ 240 VAC |
| Defrost | 16 (4) A @ 240 VAC |
| Fan | 16 (4) A @ 240 VAC |
| AUX1 | 7 (2) A @ 240 VAC |
| Relay Type | SPST |
| Minimum Cycle Time | 1 min |
| Storage Temperature | 14°F - 122°F (-10°C - 50°C) |
| Real-time Clock Face | Yes |
| Wire Size | #10 AWG |
| Panel Cut-Out H x W | 1.14" x 2.80" (29 mm x 71 mm) |
| Dimensions H x W x D | 1.81" x 4.13" x 2.76" (46 mm x 105 mm x 70 mm) |
| Operating Humidity | 0-80% RH, Non-condensing |
| Operating Temperature | 14°F - 122°F (-10°C - 50°C) |
| Electrical Life | 100,000 operations at full load |
| Warranty | 5-Year limited |

BD1-28

SPLIT MOUNT REFRIGERATION CONTROLLERS FOR LT & HT APPLICATIONS

The BD1-28 Split Controllers are designed to excel in more demanding applications and provide additional control options for more sophisticated equipment. The BD1-28 controllers can be mounted to a wiring chase or with the refrigeration equipment, eliminating the need for long runs of control wiring. The BD1-28 feature 3-5 highly rated relays and 2-3 sensors along with 2 digital inputs.

APPLICATIONS

- Ice Refrigeration Machine • Reach-In Refrigeration Cooler

FEATURES

- 5 Relays
- 3 Sensors
- NTC10K & PTC1000 selectable
- 2 Digital inputs
- IP55 Front Protection
- 100-240 VAC, 50/60 Hz., or Universal Power Supply
- -50° F to 248° F (-50° C to 120° C) Control range
- 14° F to 122° F (-10° C to 50° C) Ambient conditions
- RS485 Communications Options

| Model # | Circuits | Input Voltage | Enclosure | Mounting |
|----------------|----------|----------------------------|------------|----------|
| BD1-28C1S5W-BI | 5 | 100-240 VAC ±10%, 50/60 Hz | IP55 Front | DIN |

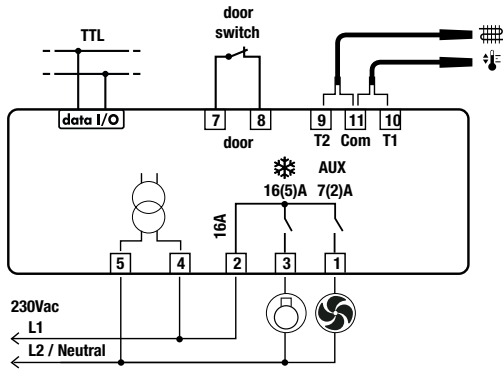
For wire diagrams see page 116.



| Ratings | |
|------------------------|--|
| Input Voltage | See Model Table |
| Resistive Load Ratings | |
| Compressor | 16 (8) A @ 240 VAC |
| Defrost | 16 (4) A @ 240 VAC |
| Fan | 16 (4) A @ 240 VAC |
| AUX1 | 7 (2) A @ 240 VAC |
| Relay Type | SPST |
| Minimum Cycle Time | 1 min |
| Storage Temperature | 14°F - 122°F (-10°C - 50°C) |
| Real-time Clock Face | No |
| Wire Size | #10 AWG |
| Panel Cut-Out H x W | 1.14" x 2.80" (29 mm x 71 mm) |
| Dimensions H x W x D | 1.81" x 4.13" x 2.76" (46 mm x 105 mm x 70 mm) |
| Operating Humidity | 0-80% RH, Non-condensing |
| Operating Temperature | 14°F - 122°F (-10°C - 50°C) |
| Electrical Life | 100,000 operations at full load |
| Warranty | 5-Year limited |

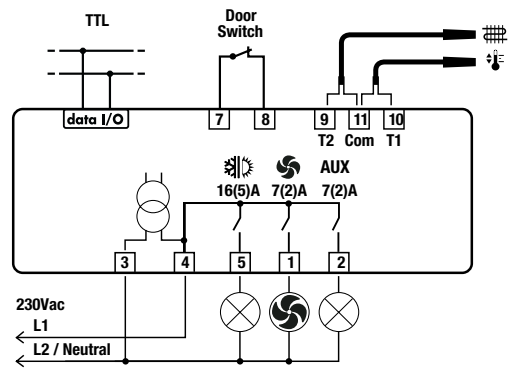
AT1-5 WIRING DIAGRAMS

AT1-5BS4E-AG

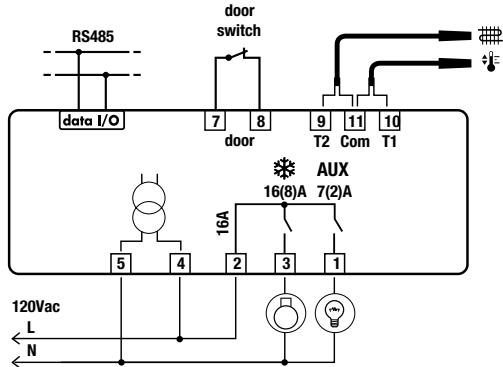


AT2-5 WIRING DIAGRAM

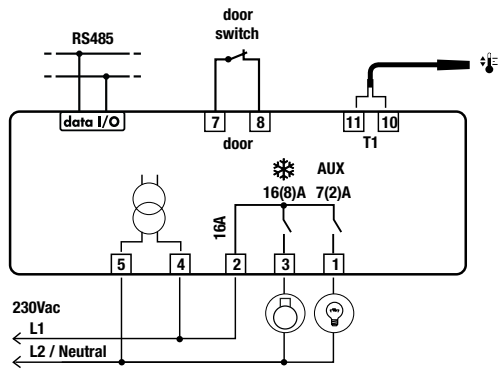
AT2-5BS4E-AG



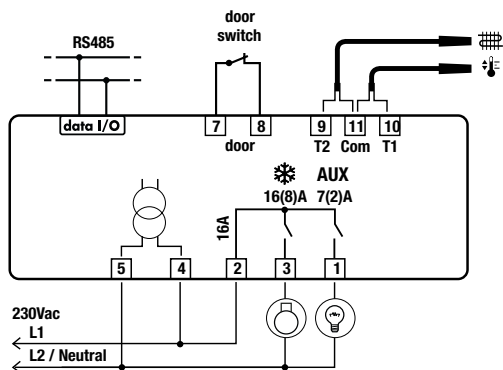
AT1-5AS5U-BG



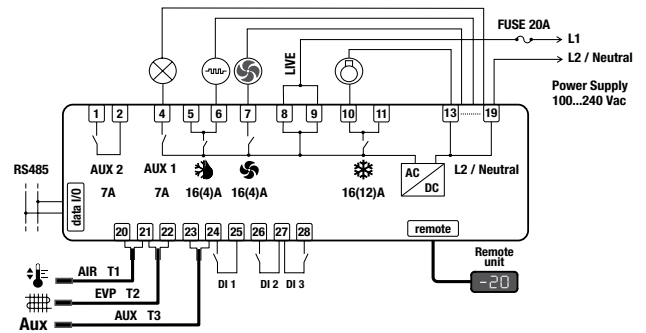
AT1-5BS6E-BG



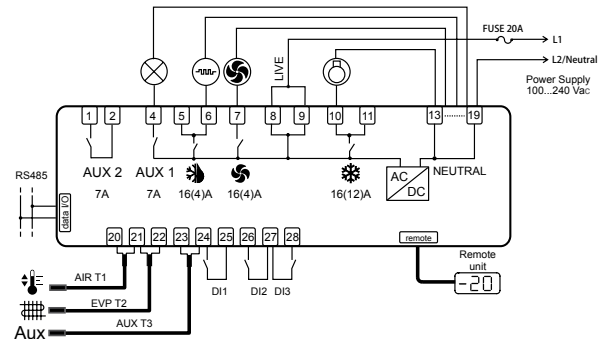
AT1-5BS6E-BG



BRI-28 WIRING DIAGRAM



BDI-28 WIRING DIAGRAM



ACCESSORIES

| Model Number | Description |
|--------------|---|
| SN4B50P1 | Temperature Probe, NTC 10k probe, 5.0 m, Gray |
| SN4B30P1 | Temperature Probe, NTC 10k probe, 3.0 m, Gray |
| SN4B20P1 | Temperature Probe, NTC 10k probe, 2.0 m, Gray |
| SN4B20P2-B | Temperature Probe, NTC 10k probe, 2.0 m, Blue |
| SN4B20P3-Y | Temperature Probe, NTC 10k probe, 2.0 m, Yellow |
| SN4B30P2-B | Temperature Probe, NTC 10k probe, 3.0 m, Blue |
| SN4B30P3-Y | Temperature Probe, NTC 10k probe, 3.0 m, Yellow |
| SN4B50P2-B | Temperature Probe, NTC 10k probe, 5.0 m, Blue |
| SN4B50P3-Y | Temperature Probe, NTC 10k probe, 5.0 m, Yellow |
| LCD-5S-II | Display, BIT25 |
| DU5S-II | Display, BD1-28, BR1-28 |



SN4B50P1



SN4B20P2-B



SN4B20P3-Y



Display, BIT25



DU5S-II

DID YOU KNOW?



DTAV40 Series Commercial Refrigeration Defrost Timers are applicable to air defrost (compressor shutdown) and electric or hot gas defrost systems where the defrost cycle is terminated by a timer or a temperature or pressure switch. The time termination functions as a failsafe and terminates the defrost cycle if the temperature or pressure switch fails to do so.



Self-service kiosks present their own unique challenges from refrigerated reach-in coolers to chest freezer merchandisers to heated food warming displays. **LAE by Intermatic Digital Controllers** offer a proven solution for temperature control and can be used to modulate temperatures in a wide range of applications.

Surge Protection Solutions

Safeguard home appliances and commercial and Industrial equipment from damaging power surge events with our rugged surge protection solutions. These versatile SPDs provide a variety of protection options and offer lasting peace of mind.



Distribution Panelboards and Subpanels

Connect our surge protection solutions to residential or commercial distribution panelboards or subpanels for a layer of coverage against power surge events. This method of installation can be completed in minutes and offers a lasting defense against power quality issues.

Service Entrance

Keep power surge events at bay by placing one of our Type I SPDs at the service entrance. This provides widespread protection against harmful power quality issues.



Point-of-Use Protection

Our basic point-of-use surge protection solutions install in minutes and help safeguard electronics and appliances from unexpected power surge issues in simple, ad-hoc applications.

Whole Home Protection

Get wall-to-wall protection from harmful surge events by installing a whole home surge protective device in residential applications.



Contents

| | |
|--|-----|
| Surge Protection Education | 120 |
| Type 1 or 2 SPD for Industrial/Commercial | 124 |
| Light Commercial or Outdoor Surge Protection | 128 |
| Type 1 or 2 SPD for Residential and Light Commercial | 129 |
| Type 3 SPD for Commercial and Industrial | 132 |
| Type 2 SPD - Includes Telephone and Coax Line Protection | 133 |

Additional Solutions and Resources

Ready to get started? Scan the QR code to the right for a variety of helpful resources, including sell sheets, product instructions, installation videos and more.



Causes of Power Disturbances

Electrical disturbances and downtime cost North American companies and residents more than \$26 billion every year. Fluctuations in utility power (caused by grid switching, for example) are often suspected to be the main culprits. However, the overwhelming cause of power disturbances is actually from transient voltage surges from equipment inside a facility. In fact, it is estimated that 65% of all transient voltage surges are generated from inside sources, while only 35% come from outside.* Triggers of transient surges can range from the stopping and starting of motors, appliances and electronics, to even the simple action of switching lights ON and OFF.

* NEMA Surge Protection Institute

What Requires Surge Protection?

Every process and appliance within a building is controlled by electrical equipment and electronic components. Virtually all devices that are powered by electricity are vulnerable. The following types of systems will benefit from surge protection:

- Home Theater Systems
- Computers/Peripherals/Servers
- HVAC/R Systems and Controls
- Electronically Commutated Motors
- Pool and Spa Systems and Controls
- Smartphones/Tablets/Gaming Systems
- Charging Equipment for Hybrid and Electric Cars
- Variable Frequency Drives
- Security and Fire Alarm Systems
- Programmable Logic Controllers
- Network Servers/Routers/Modems
- Lighting Ballasts
- Uninterruptible Power Supplies
- Home Automation Controls
- Pumps, Motors and Related Equipment with Electronic Controls or Starters
- Telecom Equipment
- Generator Automatic Transfer Switches (ATS)



ANSI/UL 1449, 3rd Edition, Surge Protection Compliance

UL 1449, 2nd Edition, underwent a major revision requiring additional safety testing at medium-fault current levels for Transient Voltage Surge Suppressors (TVSS). UL 1449, 3rd Edition, was published in September 2006 with compliance required by September 2009. The major differences are:

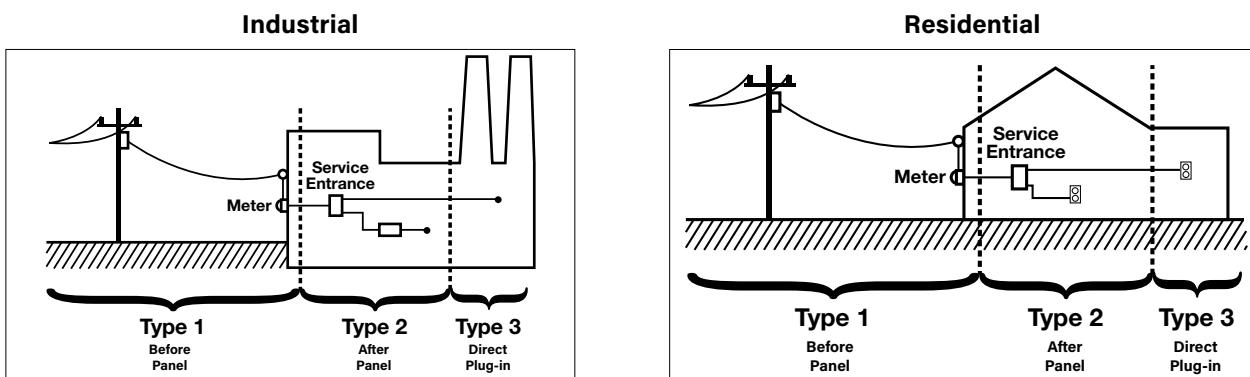
- UL 1449, 3rd Edition, is now an American National Standard (ANSI)
- Change in terminology from Transient Voltage Surge Suppressors to Surge Protective Devices (SPD)
- Voltage Protection Rating (VPR) is now tested at 6 kV/3 kA.
- Nominal Discharge Current (I_n) is a new addition.

Terminology Change

The full title of UL 1449, 2nd Edition, is, "Standard for Safety for Transient Voltage Surge Suppressors, UL 1449". The new title of UL 1449, 3rd Edition, is, "Standard for Safety for Surge Protective Devices, UL 1449." "Surge Protective Devices" is a more general description and covers devices beyond what we formerly called TVSS. The term SPD also covers what are referred to as Secondary Surge Arrestors.

UL 1449, 3rd Edition, gives five designations to surge protective devices depending on where in the electrical system the device is connected. Below defines Types 1-3.

- Type 1** — Permanently connected device installed before or after the service disconnect overcurrent device and intended to be installed with no external overcurrent protective device. This type of SPD most closely relates to devices that were called secondary surge arrestors prior to 3rd Edition.
- Type 2** — Permanently connected device installed after the service disconnect overcurrent device. This type of SPD most closely relates to devices that were called transient voltage surge suppressors prior to 3rd Edition.
- Type 3** — Point of use SPDs that are installed with a minimum of 30 feet of conductor length from the service panel. These 30 feet of conductor length does not include conductors used to attach the SPD. Some examples of Type 3 SPDs are cord connected, direct plug-in and receptacle type SPDs.



Voltage Protection Rating (VPR)

The measured limiting voltage test in UL 1449, 3rd Edition, uses a 6 kV/3 kA combination wave surge to determine the Voltage Protection Rating (VPR) of the SPD. This test is similar to the Suppressed Voltage Rating (SVR) as performed in UL 1449, 2nd Edition. The key difference between the tests in 2nd Edition and 3rd Edition is that the magnitude of the current used for the test is six times greater in 3rd Edition versus 2nd Edition. This much higher current level will mean that the Voltage Protection Rating (VPR) will likely be significantly higher.

Nominal Discharge Current (I_n)

The addition of the nominal discharge current test is new to UL 1449 3rd Edition. The nominal discharge current value is selected by the manufacturer and can be either 10 kA or 20 kA for a Type 1 SPD or 3 kA, 5 kA, 10 kA or 20 kA for Type 2 SPDs. The SPD is tested by being subjected to a total of 15 impulses of the manufacturer-selected nominal discharge current.

Joule Ratings

Many end users look at Joule ratings to determine which surge protector to purchase. Unfortunately, Joule ratings can be misleading according to IEEE research. When a surge protector is submitted for third party agency testing, Joule rating is not a tested parameter. Joule ratings are an unreliable measurement for determining a product's surge protection capacity because there is no clear standard for energy ratings of SPDs on Joules.

Typical Surge Protective Device (SPD) Residential Applications



Entertainment
Home Theaters, TV,
Stereos



Home Office,
Computers, Tablets,
Printers



Home Automation,
Thermostats, Security,
Lighting



HVAC, Generators,
Solar



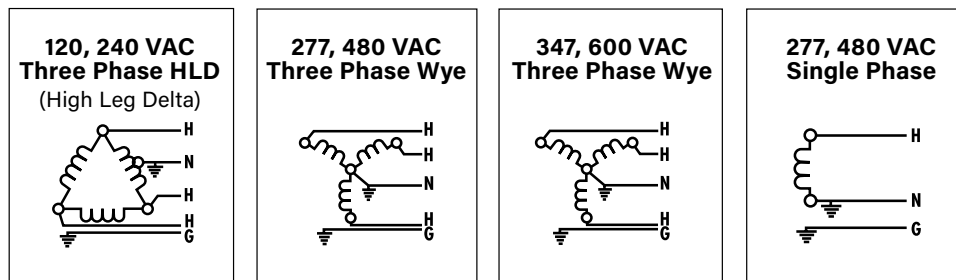
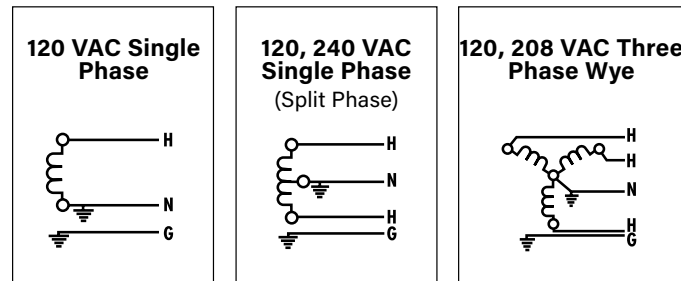
Pool & Spa
Equipment, Water
Heater, Landscape
Lighting



Mini-split, Furnace/
Air Handler, Boilers

Common Voltage Configurations

The wiring diagrams below illustrate the common voltage configurations for Intermatic surge products.



Note: All SPDs protect against surges that travel along the electrical pathway and are not applicable to direct lightning strikes that travel down non-electrical paths. Be sure to have at least a 20 A dual pole breaker(s) to help prevent the circuits from shorting. Type 1 SPDs are normally mounted before panels, which would not include a breaker.

Surge Glossary

Maximum Continuous Operating Voltage (MCOV): The maximum RMS voltage that may be applied to each mode of a surge protection device. (Listed on the product)

Modes Of Protection: Electrical paths within a system which an SPD offers defense against surge events. Examples of protection include, Line to Neutral (L-N), Line to Ground (L-G), Line to Line (L-L) and Neutral to Ground (N-G). (Listed on the product)

Nominal Discharge Current (In): Peak value of the current through the SPD having a current wave shape of 8/20 where the SPD remains functional after 15 surges. (Listed on the product)

Nominal System Voltage: The voltage level at which a system normally operates. Nominal system voltages include, but are not limited to, 120, 208, 240, 277, 347, 480, 600 VAC. (Listed on the product)

Short Circuit Current Rating (SCCR): The measurement of how much current the electrical system can supply during a fault condition. This value determines where an SPD may be installed. (Listed on the product)

Surge: A sudden and sharp increase of current or voltage within electric circuits.

Surge Protective Device (SPD): A device used to limit a surge on equipment by diverting or limiting it. SPDs were previously known as Transient Voltage Surge Suppressors or secondary surge arresters.

Voltage Protection Rating (VPR): The value assigned by UL which specifies the measured limited voltage value of the SPD. VPR rating is formally known as the "suppressed voltage rating". (Listed on the product)

Surge Protection

Type 1 or 2 SPD for Industrial/Commercial



L5 Series

PANELGUARD® L5 Series

TYPE 1 OR 2 SPD

Intermatic PANELGUARD® Surge Protective Devices are designed to react quickly and eliminate surges providing optimal protection to downstream equipment. PANELGUARD® Industrial/Commercial-grade series are Parallel Connected Surge Protective Devices designed to protect all types of loads fed from individual disconnects, sub-panels, distribution panels and service entrance locations.

Applications

- Distribution Panel • Service Entrance • Subpanels • Utility Meters

Features

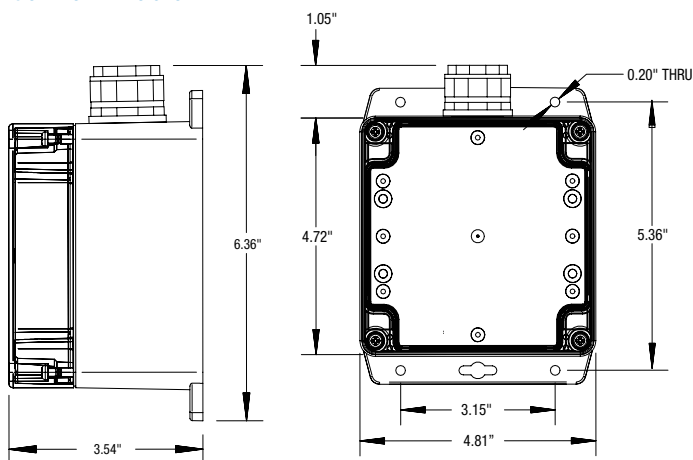
- Type 1 and Type 2 surge protection options
- Optional audible alarm and dry contact relay
- 4 Modes of protection
- UL 96A Lightning system protection compliant
- NEMA 4X enclosure for indoor or outdoor installation
- Individually integrated disconnect TPMOV® surge protection technology
- Optional advanced electrical noise filter (UL 1283) (Type 2 only)
- Blue LED protection status indicator, and red LED service indicator

| Model # | SPD Type | Voltage | Audible Alarm, Dry Relay Contact | Filter | Maximum Continuous Operating Voltage | | | | Voltage Protection Rating | | | | Modes of Protection |
|------------|----------|---------------------------------------|----------------------------------|----------------|--------------------------------------|----------|----------|-------|---------------------------|------------|------------|-------|---------------------|
| | | | | | (L-N) | (L-L) | (L-G) | (N-G) | (L-N) | (L-L) | (L-G) | (N-G) | |
| L5F21SIDG1 | 2 | 120/240 VAC Single-Phase | - | EMI/RFI Filter | 150 | 300 | 150 | 150 | 700 | 1200 | 1200 | 600 | 4 |
| L5F21SIDG2 | 2 | | Yes | EMI/RFI Filter | 150 | 300 | 150 | 150 | 700 | 1200 | 1200 | 600 | |
| L5F13D1DG1 | 1 | 120/240 VAC 3-Phase High Leg Delta | - | No Filter | 150/300* | 300/300* | 150/300* | 150 | 700/1200* | 1200/2500* | 1200/1800* | 600 | |
| L5F13D1DG2 | 1 | | Yes | No Filter | 150/300* | 300/300* | 150/300* | 150 | 700/1200* | 1200/2500* | 1200/1800* | 600 | |
| L5F13Y1DG1 | 1 | 120/208 VAC 3-Phase Wye | - | No Filter | 150 | 300 | 150 | 150 | 600 | 1200 | 1200 | 600 | |
| L5F13Y1DG2 | 1 | | Yes | No Filter | 150 | 300 | 150 | 150 | 600 | 1200 | 1200 | 600 | |
| L5F23Y1DG1 | 2 | | - | EMI/RFI Filter | 150 | 300 | 150 | 150 | 700 | 1200 | 1200 | 600 | |
| L5F23Y1DG2 | 2 | | Yes | EMI/RFI Filter | 150 | 300 | 150 | 150 | 700 | 1200 | 1200 | 600 | |
| L5F13Y2DG1 | 1 | 277/480 VAC 3-Phase Wye | - | No Filter | 320 | 640 | 320 | 320 | 1200 | 2500 | 2500 | 1200 | |
| L5F13Y2DG2 | 1 | | Yes | No Filter | 320 | 640 | 320 | 320 | 1200 | 2500 | 2500 | 1200 | |
| L5F23Y2DG1 | 2 | | - | EMI/RFI Filter | 320 | 640 | 320 | 320 | 1200 | 2500 | 2500 | 1200 | |
| L5F23Y2DG2 | 2 | | Yes | EMI/RFI Filter | 320 | 640 | 320 | 320 | 1200 | 2500 | 2500 | 1200 | |
| L5F13Y3DG1 | 1 | 347/600 VAC 3-Phase Wye | - | No Filter | 420 | 800 | 420 | 420 | 1500 | 3000 | 3000 | 1500 | |
| L5F13Y3DG2 | 1 | | Yes | No Filter | 420 | 800 | 420 | 420 | 1500 | 3000 | 3000 | 1500 | |

* Rating reflects Phase High Leg



L5 SERIES DIMENSIONS



| Ratings | |
|------------------------------|---|
| Voltage | See Model Table |
| MCOV* | See Model Table |
| Voltage Protection Rating | See Model Table |
| Max Surge Current Rating | 50 kA Per Phase |
| Nominal Discharge Current | 20 kA |
| Short Circuit Current Rating | 200 kA |
| Diagnostics Indicator | Blue LED Protection Status Indicator, Red LED Service Indicator |
| Wire Size | #10 AWG |
| Enclosure Type | NEMA Type 4X |
| Dimensions H x W x D | 6.46" x 4.81" x 3.54" (164.084 mm x 122.17 mm x 89.92 mm) |
| Operating Temperature | -40°F - 176°F (-40°C - 80°C) |
| Warranty | 5-Year limited |

* Maximum Continuous Operating Voltage

PANELGUARD® L10 Series

TYPE 1 OR 2 SPD

Intermatic PANELGUARD® Surge Protective Devices are designed to react quickly and eliminate surges providing optimal protection to downstream equipment. PANELGUARD® Industrial/Commercial-grade series are Parallel Connected Surge Protective Devices designed to protect all types of loads fed from individual disconnects, sub-panels, distribution panels and service entrance locations.

Applications

- Distribution Panel • Service Entrance • Subpanels • Utility Meters

Features

- Type 1 and Type 2 surge protection options
- Optional audible alarm and dry contact relay
- 4 Modes of protection
- UL 96A Lightning system protection compliant
- NEMA 4X enclosure for indoor or outdoor installation
- Individually integrated disconnect TPMOV® surge protection technology
- Optional advanced electrical noise filter (UL 1283) (Type 2 only)
- Blue LED protection status indicator, and red LED service indicator



L10 Series

| Model # | SPD Type | Voltage | Audible Alarm, Dry Relay Contact | Filter | Max Continuous Operating Voltage | | | | Voltage Protection Rating | | | | Modes of Protection |
|-------------|----------|---------------------------------------|----------------------------------|----------------|----------------------------------|----------|----------|-------|---------------------------|-----------|------------|-------|---------------------|
| | | | | | (L-N) | (L-L) | (L-G) | (N-G) | (L-N) | (L-L) | (L-G) | (N-G) | |
| L10F1S1DG1 | 1 | 120/240 VAC Single-Phase | - | No Filter | 150 | 300 | 150 | 150 | 700 | 1000 | 1000 | 700 | 4 |
| L10F1S1DG2 | 1 | | Yes | No Filter | 150 | 300 | 150 | 150 | 700 | 1000 | 1000 | 700 | |
| L10F23D1DG1 | 2 | 120/240 VAC 3-Phase High Leg Delta | - | EMI/RFI Filter | 150/300* | 300/300* | 150/300* | 150 | 600/1200* | 200/2000* | 1200/2000* | 700 | |
| L10F23D1DG2 | 2 | | Yes | EMI/RFI Filter | 150/300* | 300/300* | 150/300* | 150 | 600/1200* | 200/2000* | 1200/2000* | 700 | |
| L10F13N4DG1 | 1 | 440/480 VAC 3-Phase High Leg Delta | - | No Filter | - | 552 | 552 | - | - | 4000 | 1800 | - | |
| L10F13N4DG2 | 1 | | Yes | No Filter | - | 552 | 552 | - | - | 4000 | 1800 | - | |
| L10F23N4DG1 | 2 | | - | EMI/RFI Filter | - | 552 | 1800 | - | - | 4000 | 1800 | - | |
| L10F23N4DG2 | 2 | | Yes | EMI/RFI Filter | - | 552 | 1800 | - | - | 4000 | 1800 | - | |
| L10F13Y1DG1 | 1 | 120/208 VAC 3-Phase Wye | - | No Filter | 150 | 300 | 150 | 150 | 700 | 1000 | 1000 | 700 | |
| L10F13Y1DG2 | 1 | | Yes | No Filter | 150 | 300 | 150 | 150 | 700 | 1000 | 1000 | 700 | |
| L10F23Y1DG1 | 2 | | - | EMI/RFI Filter | 150 | 300 | 150 | 150 | 700 | 1200 | 1200 | 700 | |
| L10F23Y1DG2 | 2 | | Yes | EMI/RFI Filter | 150 | 300 | 150 | 150 | 700 | 1200 | 1200 | 700 | |
| L10F13Y2DG1 | 1 | 277/480 VAC 3-Phase Wye | - | No Filter | 320 | 640 | 320 | 320 | 1200 | 2000 | 2000 | 1200 | |
| L10F13Y2DG2 | 1 | | Yes | No Filter | 320 | 640 | 320 | 320 | 1200 | 2000 | 2000 | 1200 | |
| L10F23Y2DG1 | 2 | | - | EMI/RFI Filter | 320 | 640 | 320 | 320 | 1200 | 2500 | 2500 | 1200 | |
| L10F23Y2DG2 | 2 | | Yes | EMI/RFI Filter | 320 | 640 | 320 | 320 | 1200 | 2500 | 2500 | 1200 | |
| L10F13Y3DG1 | 1 | 347/600 VAC 3-Phase Wye | - | No Filter | 420 | 800 | 420 | 420 | 1500 | 3000 | 3000 | 1500 | |
| L10F13Y3DG2 | 1 | | Yes | No Filter | 420 | 800 | 420 | 420 | 1500 | 3000 | 3000 | 1500 | |

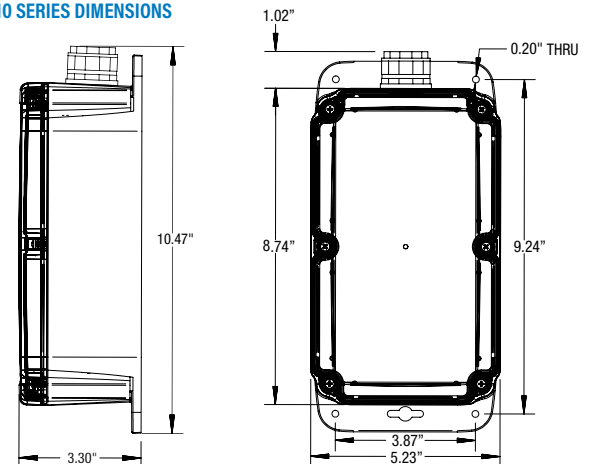
* Rating reflects Phase High Leg

| Ratings | |
|------------------------------|---|
| Voltage | See Model Table |
| MCOV* | See Model Table |
| Voltage Protection Rating | See Model Table |
| Max Surge Current Rating | 100 kA Per Phase |
| Nominal Discharge Current | 20 kA |
| Short Circuit Current Rating | 200 kA |
| Diagnostics Indicator | Blue LED Protection Status Indicator, Red LED Service Indicator |
| Wire Size | #10 AWG |
| Enclosure Type | NEMA Type 4X |
| Dimensions H x W x D | 10.59" x 5.25" x 3.29" (268.99 mm x 133.35 mm x 83.57 mm) |
| Operating Temperature | -40°F - 176°F (-40° C - 80° C) |
| Warranty | 5-Year limited |

* Maximum Continuous Operating Voltage



L10 SERIES DIMENSIONS



Surge Protection

Type 1 or 2 SPD for Industrial/Commercial



H10 Series

PANELGUARD® H10 Series

TYPE 1 OR 2 SPD

Intermatic PANELGUARD® Surge Protective Devices are designed to react quickly and eliminate surges providing optimal protection to downstream equipment. PANELGUARD® Industrial/Commercial-grade series are Parallel Connected Surge Protective Devices designed to protect all types of loads fed from individual disconnects, sub-panels, distribution panels and service entrance locations.

Applications

- Distribution Panel • Service Entrance • Subpanels • Utility Meters

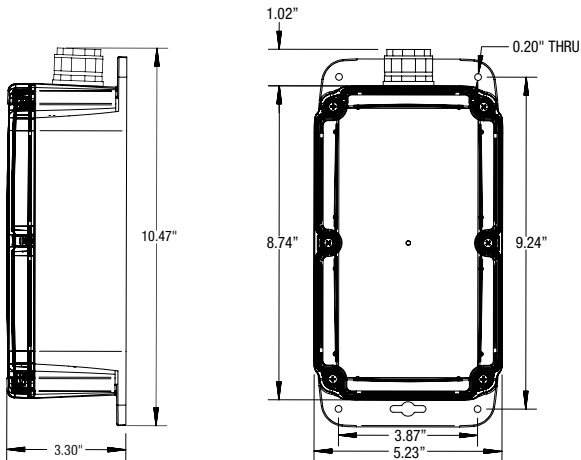
Features

- Type 1 and Type 2 surge protection options
- Optional audible alarm and dry contact relay
- 7 Modes of protection
- NFPA 780, UL 96A Lightning system protection compliant
- NEMA 4X enclosure for indoor or outdoor installation
- Individually integrated disconnect TPMOV® surge protection technology
- Optional advanced electrical noise filter (UL 1283) (Type 2 only)
- Blue LED status indicator per phase, red LED service indicator

| Model # | SPD Type | Voltage | Audible Alarm, Dry Relay Contact | Filter | Maximum Continuous Operating Voltage | | | | Voltage Protection Rating | | | | Modes of Protection |
|--------------------------|----------|------------------------------------|----------------------------------|----------------|--------------------------------------|----------|----------|-------|---------------------------|------------|-----------|-------|---------------------|
| | | | | | (L-N) | (L-L) | (L-G) | (N-G) | (L-N) | (L-L) | (L-G) | (N-G) | |
| H10S21SIDG1 | 2 | 120/240 VAC Single-Phase | - | EMI/RFI Filter | 150 | 300 | 150 | 150 | 700 | 1200 | 700 | 700 | 7 |
| H10S21SIDG2 | 2 | | Yes | EMI/RFI Filter | 150 | 300 | 150 | 150 | 700 | 1200 | 700 | 700 | |
| H10S13DIDG1 | 1 | 120/240 VAC 3-Phase High Leg Delta | - | No Filter | 150/300* | 300/300* | 150/300* | 150 | 700/1200* | 1000/1800* | 700/1200* | 700 | |
| H10S13DIDG2 | 1 | | Yes | No Filter | 150/300* | 300/300* | 150/300* | 150 | 700/1200* | 1000/1800* | 700/1200* | 700 | |
| H10S23DIDG1 | 2 | | - | EMI/RFI Filter | 150/300* | 300/300* | 150/300* | 150 | 700/1200* | 1200/1800* | 700/1200* | 700 | |
| H10S23DIDG2 | 2 | | Yes | EMI/RFI Filter | 150/300* | 300/300* | 150/300* | 150 | 700/1200* | 1200/1800* | 700/1200* | 700 | |
| H10S13YIDG1 | 1 | 120/208 VAC 3-Phase Wye | - | No Filter | 150 | 300 | 150 | 150 | 600 | 1000 | 600 | 700 | |
| H10S13YIDG2 | 1 | | Yes | No Filter | 150 | 300 | 150 | 150 | 600 | 1000 | 600 | 700 | |
| H10S23YIDG1 | 2 | | - | EMI/RFI Filter | 150 | 300 | 150 | 150 | 700 | 1000 | 600 | 700 | |
| H10S23YIDG2 | 2 | | Yes | EMI/RFI Filter | 150 | 300 | 150 | 150 | 700 | 1000 | 600 | 700 | |
| H10S13Y2DG1 [†] | 1 | 277/480 VAC 3-Phase Wye | - | No Filter | 320 | 640 | 320 | 320 | 1200 | 2000 | 1200 | 1200 | |
| H10S13Y2DG2 [†] | 1 | | Yes | No Filter | 320 | 640 | 320 | 320 | 1200 | 2000 | 1200 | 1200 | |
| H10S23Y2DG1 | 2 | | - | EMI/RFI Filter | 320 | 640 | 320 | 320 | 1200 | 2500 | 1200 | 1200 | |
| H10S23Y2DG2 | 2 | | Yes | EMI/RFI Filter | 320 | 640 | 320 | 320 | 1200 | 2500 | 1200 | 1200 | |
| H10S13Y3DG1 | 1 | 347/600 VAC 3-Phase Wye | - | No Filter | 400 | 800 | 400 | 400 | 1500 | 2500 | 1500 | 1500 | |
| H10S13Y3DG2 | 1 | | Yes | No Filter | 400 | 800 | 400 | 400 | 1500 | 2500 | 1500 | 1500 | |

* Rating reflects Phase High Leg † H10S13Y2DG1 & H10S13Y2DG2 not NFPA compliant

H10 SERIES DIMENSIONS



| Ratings | |
|-------------------------------------|--|
| Voltage | See Model Table |
| MCOV* | See Model Table |
| Voltage Protection Rating | See Model Table |
| Max Surge Current Rating | 100 kA Per Phase |
| Nominal Discharge Current | 20 kA |
| Short Circuit Current Rating | 200 kA |
| Diagnostics Indicator | Blue LED Status Indicator Per Phase, Red LED Service Indicator |
| Wire Size | #10 AWG |
| Enclosure Type | NEMA Type 4X |
| Dimensions H x W x D | 10.59" x 5.25" x 3.29" (268.99 mm x 133.35 mm x 83.57 mm) |
| Operating Temperature | -40°F - 176°F (-40°C - 80°C) |
| Warranty | 10-Year limited |

* Maximum Continuous Operating Voltage

PANELGUARD® H20 Series

TYPE 1 OR 2 SPD

Intermatic PANELGUARD® Surge Protective Devices are designed to react quickly and eliminate surges providing optimal protection to downstream equipment. PANELGUARD® Industrial/Commercial-grade series are Parallel Connected Surge Protective Devices designed to protect all types of loads fed from individual disconnects, sub-panels, distribution panels and service entrance locations.

Applications

- Distribution Panel • Service Entrance • Subpanels • Utility Meters

Features

- Type 1 and Type 2 surge protection options
- Optional audible alarm and dry contact relay
- 7 Modes of protection
- NFPA 780, UL 96A Lightning system protection compliant
- NEMA 4X enclosure for indoor or outdoor installation
- Individually integrated disconnect TMOV® surge protection technology
- Optional advanced electrical noise filter (UL 1283) (Type 2 only)
- Blue LED status indicator per phase, red LED service indicator



H20 Series

| Model # | SPD Type | Voltage | Audible Alarm, Dry Relay Contact | Filter | Maximum Continuous Operating Voltage | | | | Voltage Protection Rating | | | | Modes of Protection |
|---------------------------|----------|------------------------------------|----------------------------------|----------------|--------------------------------------|----------|----------|-------|---------------------------|------------|-----------|-------|---------------------|
| | | | | | (L-N) | (L-L) | (L-G) | (N-G) | (L-N) | (L-L) | (L-G) | (N-G) | |
| H20S2S1D1G1 | 2 | 120/240 VAC Single-Phase | - | EMI/RFI Filter | 150 | 300 | 150 | 150 | 700 | 1200 | 700 | 700 | 7 |
| H20S2S1D1G2 | 2 | | Yes | EMI/RFI Filter | 150 | 300 | 150 | 150 | 700 | 1200 | 700 | 700 | |
| H20S13D1D1G1 | 1 | 120/240 VAC 3-Phase High Leg Delta | - | No Filter | 150/300* | 300/300* | 150/300* | 150 | 700/1200* | 1200/2000* | 700/1200* | 700 | |
| H20S13D1D1G2 | 1 | | Yes | No Filter | 150/300* | 300/300* | 150/300* | 150 | 700/1200* | 1200/2000* | 700/1200* | 700 | |
| H20S23D1D1G1 | 2 | | - | EMI/RFI Filter | 150/300* | 300/300* | 150/300* | 150 | 800/1200* | 1200/2000* | 700/1200* | 700 | |
| H20S23D1D1G2 | 2 | | Yes | EMI/RFI Filter | 150/300* | 300/300* | 150/300* | 150 | 800/1200* | 1200/2000* | 700/1200* | 700 | |
| H20S13Y1D1G1 | 1 | 120/208 VAC 3-Phase Wye | - | No Filter | 150 | 300 | 150 | 150 | 700 | 1000 | 700 | 700 | |
| H20S13Y1D1G2 | 1 | | Yes | No Filter | 150 | 300 | 150 | 150 | 700 | 1000 | 700 | 700 | |
| H20S23Y1D1G1 | 2 | | - | EMI/RFI Filter | 150 | 300 | 150 | 150 | 700 | 1200 | 700 | 700 | |
| H20S23Y1D1G2 | 2 | | Yes | EMI/RFI Filter | 150 | 300 | 150 | 150 | 700 | 1200 | 700 | 700 | |
| H20S13Y2D1G1 [†] | 1 | 277/480 VAC 3-Phase Wye | - | No Filter | 320 | 640 | 320 | 320 | 1200 | 2000 | 1200 | 1200 | |
| H20S13Y2D1G2 [†] | 1 | | Yes | No Filter | 320 | 640 | 320 | 320 | 1200 | 2000 | 1200 | 1200 | |
| H20S23Y2D1G1 | 2 | | - | EMI/RFI Filter | 320 | 640 | 320 | 320 | 1200 | 2500 | 1200 | 1200 | |
| H20S23Y2D1G2 | 2 | | Yes | EMI/RFI Filter | 320 | 640 | 320 | 320 | 1200 | 2500 | 1200 | 1200 | |
| H20S13Y3D1G1 | 1 | 347/600 VAC 3-Phase Wye | - | No Filter | 400 | 800 | 400 | 400 | 1500 | 3000 | 1500 | 1500 | |
| H20S13Y3D1G2 | 1 | | Yes | No Filter | 400 | 800 | 400 | 400 | 1500 | 3000 | 1500 | 1500 | |

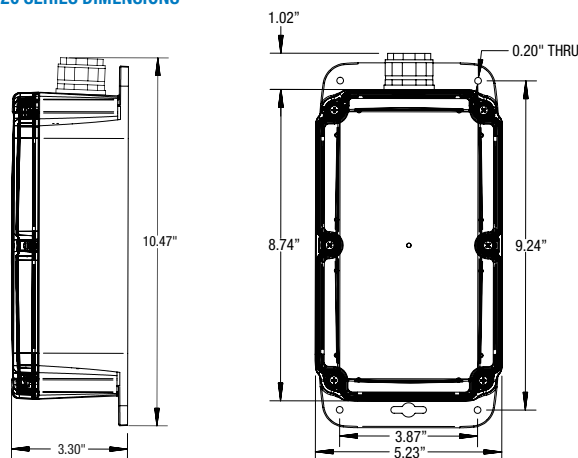
* Rating reflects Phase High Leg † H20S13Y2D1G1 & H20S13Y2D1G2 not NFPA compliant



| Ratings | |
|-------------------------------------|--|
| Voltage | See Model Table |
| MCOV* | See Model Table |
| Voltage Protection Rating | See Model Table |
| Max Surge Current Rating | 200 kA Per Phase |
| Nominal Discharge Current | 20 kA |
| Short Circuit Current Rating | 200 kA |
| Diagnostics Indicator | Blue LED Status Indicator Per Phase, Red LED Service Indicator |
| Wire Size | #10 AWG |
| Enclosure Type | NEMA Type 4X |
| Dimensions H x W x D | 10.59" x 5.25" x 3.29" (268.99 mm x 133.35 mm x 83.57 mm) |
| Operating Temperature | -40°F - 176°F (-40 °C - 80 °C) |
| Warranty | 10-Year limited |

* Maximum Continuous Operating Voltage

H20 SERIES DIMENSIONS



Surge Protection

Light Commercial or Outdoor Surge Protection



AG48013

AG Series

TYPE 1 OR 2 SPD

The AG Series Surge Protective Devices (SPD) are designed for a variety of applications. Trusted, state-of-the-art TPMOV™ (Thermally Protected Metal Oxide Varistor) surge protection technology eliminates the potentially hazardous failure modes that are commonly associated with standard MOV technology. A green LED indicator provides status of protection. Type 1 applications include outdoor installations before service entrances and utility meter cabinets. Type 2 applications include installations after service entrances.

Applications

- Distribution Panel • Service Entrance • Subpanels and Load Centers

Features

- Three or six modes of protection
- TPMOV™ surge protection technology
- Green LED protection indicator
- Type 4X watertight, plastic enclosure for outdoor installations
- UV-resistant polycarbonate housing
- 1/2" threaded nipple for 7/8" normal conduit knockout
- 1-year product warranty

| Model # | Input Voltage | Modes of Protection | Maximum Continuous Operating Voltage | | | | | | Voltage Protection Rating | | | | | | Lead Length | Lead Gauge |
|----------------------------|------------------------------------|---|--------------------------------------|---------|----------|---------|----------|----------|---------------------------|---------|----------|---------|----------|----------|-------------|--|
| | | | (L1-L2) | (L-N) | (L-L) | (L-G) | - | - | (L-N) | (L-L) | (L-G) | - | - | - | | |
| Single Phase Models | | | | | | | | | | | | | | | | |
| AG2401C3† | 120/240 VAC Single-Phase | 3 (L1-N, L2-N, L1-L2) | 300 | 150 | 300 | 150 | - | - | 700 | 1200 | 700 | - | - | - | 18" | #12 AWG |
| AG48013† | 277/480 VAC Single-Phase | | 640 | 320 | 640 | 320 | - | - | 1200 | 2000 | 1200 | - | - | - | 18" | #6 AWG (Green) #10 AWG (Black, White) |
| Three Phase Models | | | | | | | | | | | | | | | | |
| AG2083C3 | 120/208 VAC 3-Phase Wye | 6 (L1-N, L2-N, L3-N, L1-L2, L1-L3, L2-L3) | 300 | 150 | 300 | 150 | - | - | 700 | 1200 | 700 | - | - | - | 18" | #12 AWG |
| AG4803C3 | 277/480 VAC 3-Phase Wye | | 640 | 320 | 640 | 320 | - | - | 1200 | 2000 | 1200 | - | - | - | 18" | #12 AWG |
| AG6503C3† | 347/600 VAC 3-Phase Wye | | 840 | 420 | 840 | 420 | - | - | 1500 | 2500 | 1500 | - | - | - | 18" | #10 AWG |
| AG6503L3† | 347/600 VAC 3-Phase Wye | | 840 | 420 | 840 | 420 | - | - | 1500 | 2500 | 1500 | - | - | - | 36" | #10 AWG |
| AG2403C3 | 120/240 VAC 3-Phase High Leg Delta | | 420 | (L1-L3) | (L1-N/G) | (L2-L3) | (L2-N/G) | (L3-N/G) | (L1-L2) | (L1-L3) | (L1-N/G) | (L2-L3) | (L2-N/G) | (L3-N/G) | 18" | #12 AWG |

† CSA and UL Recognized



ACCESSORIES

| Model Number | Description |
|--------------|--|
| AG1BRKT | Mounting Bracket for AG2401C3, AG48013, AG2083C3, AG4803C3, AG6503C3, AG6503L3, AG2403C3 |

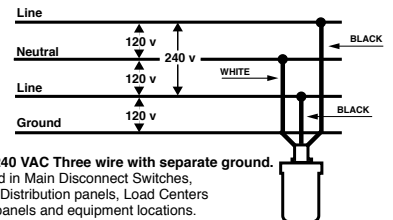
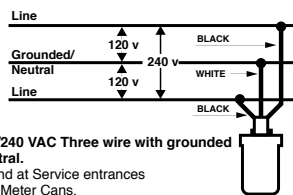
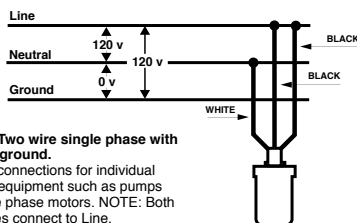


AG1BRKT

| Ratings | |
|-----------------------------|----------------------------------|
| SPD Type | 1 or 2 |
| In (kA)* | 20 kA |
| SCCR (kA)** | 50 kA |
| Surge Protection Technology | TPMOV™ |
| Max Surge Current Per Phase | 50 kA |
| Operating Temperature | -31°F - 185°F (-35°C - 85°C) |
| Dimensions H x Dia | 4 3/8" x 3" (106.4 mm x 76.2 mm) |
| Warranty | 1-Year limited |

* Nominal Discharge Current ** Short Circuit Current Rating

WIRING DIAGRAMS FOR AG2401C3





IG3240RC3

IG Series, SPD TYPE 1 OR TYPE 2 SPD

The IG Series Surge Protective Devices (SPD) are designed for a variety of applications. A green LED indicator provides status of protection. Trusted, state-of-the-art TPMOV[®] (Thermally Protected Metal Oxide Varistor) surge protection technology eliminates the potentially hazardous failure modes that are commonly associated with standard MOV technology. Type 1 applications include outdoor installations before service entrances and utility meter cabinets. Type 2 applications include installations after service entrances. CSA certified to ANSI/UL 1449, 3rd Edition.

APPLICATIONS

- Whole Home Protection

FEATURES

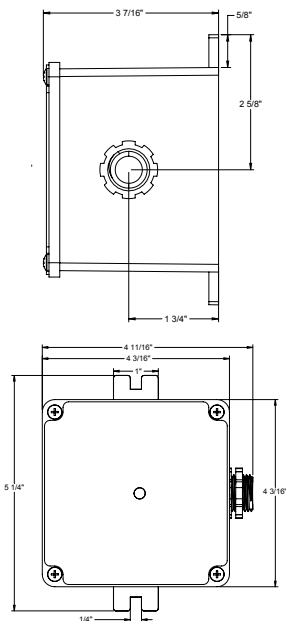
- Three or six modes of surge protection depending on model
- TPMOV[®] surge protection technology
- Green LED indicator provides status of protection
- Type 3R rainproof enclosure for indoor/outdoor applications in plastic or metal
- 3, 5 or 10-year product warranties
- \$7500, \$10,000 or \$25,000 connected equipment warranties on appliances and electronics
- CSA certified to ANSI/UL 1449, 3rd Edition

| Model # | Modes of Protection | Maximum Continuous Operating Voltage | | | | Voltage Protection Rating | | | | No. of Leads/Length | Product Warranty | Connected Equipment Warranty |
|--------------------------------|--|--------------------------------------|-------|-------|-------|---------------------------|-------|-------|-------|---------------------|------------------|------------------------------|
| | | (L-N) | (L-L) | (L-G) | (N-G) | (L-N) | (L-L) | (L-G) | (N-G) | | | |
| Outdoor Type 3R Plastic | | | | | | | | | | | | |
| IG1200RC3 | 3 (L1-N, L2-N, L1-L2) | 150 | 300 | - | - | 700 | 1200 | - | - | 3, 30" | 3-Year limited | 3-Year / \$7500 |
| IG1240RC3 | 6 (L1-N, L2-N, L1-G, L2-G, N-G, L1-L2) | 150 | 300 | 300 | 150 | 700 | 1200 | 1200 | 700 | 4, 30" | 5-Year limited | 5-Year / \$10,000 |
| Outdoor Type 3R Metal | | | | | | | | | | | | |
| IG3240RC3 | 6 (L1-N, L2-N, L1-G, L2-G, N-G, L1-L2) | 150 | 300 | 300 | 150 | 700 | 1200 | 1200 | 700 | 4, 30" | 10-Year limited | 10-Year / \$25,000 |

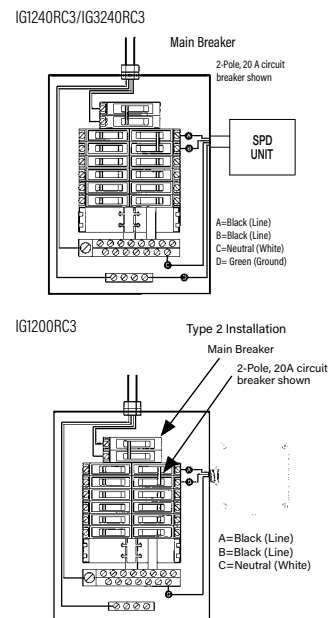
ACCESSORIES

| Model Number | Description | IG1240FMP33 | IG3240FMP33 |
|--------------|---|-------------|-------------|
| IG1240FMP33 | Flush Mount Kit for IG1200RC3 and IG1240RC3 | | |
| IG3240FMP33 | Flush Mount Kit for IG3240RC3 | | |

IG 1200 SERIES DIMENSIONS



TYPE 2 INSTALLATION



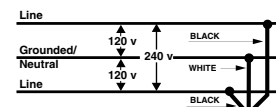
| Ratings | |
|-----------------------------|--|
| Service Voltage | 120/240 VAC Single-Phase |
| Phase | Single |
| SPD Type | 1, 2 |
| In* | 20 kA |
| SCCR** | 100 kA |
| Max Surge Current Rating | 50 kA |
| Surge Protection Technology | TPMOV [®] |
| Operating Temperature | -31°F - 185°F (-35°C - 85°C) |
| Dimensions H x W x D | 4 3/8" x 4 3/8" x 3 3/8" (106.4 mm x 106.4 mm x 87.3 mm) |

* Nominal Discharge Current ** Short Circuit Current Rating



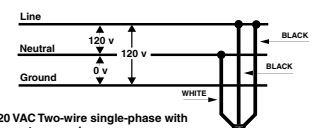
TYPE 1 INSTALLATION

IG1200RC3



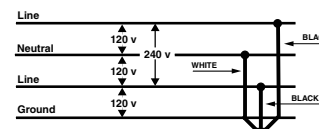
120/240 VAC Three-wire with grounded neutral. Found at Service entrances and Meter Cans.

IG1200RC3



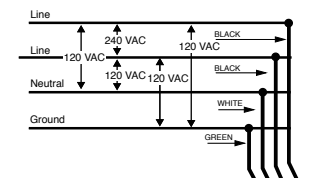
120 VAC Two-wire single-phase with separate ground. Found at connections for individual pieces of equipment such as pumps and single-phase motors. NOTE: Both Black wires connect to Line.

IG1200RC3



120/240 VAC Three-wire with separate ground. Found in Main Disconnect Switches, Main Distribution panels, Load Centers Sub panels and equipment locations.

IG1240RC3/IG3240RC3



Surge Protection

Type 1 or 2 SPD for Residential and Light Commercial



IG2240-IMSK



IG2280-OM



IG2240-PK

IG2200 Series TYPE 1 OR 2 SPD



Protect expensive home appliances, electronics, HVAC equipment and more with SMARTGUARD[®] from Intermatic. The innovative SPD offers quick change modules that allow homeowners to easily monitor and maintain their home's surge protection system. These IMODULE[®] components include LED lights that indicate when protection has been compromised. A blue light indicates the SPD unit is ON and a green light indicates surge protection is active. Trusted, state-of-the-art TPMOV[®] (Thermally Protected Metal Oxide Varistor) surge protection technology eliminates the potentially hazardous failure modes that are commonly associated with standard MOV technology. Type 1 applications include outdoor installations before service entrances and utility meter cabinets. Type 2 applications include installations after service entrances. UL Listed to ANSI/UL 1449, 4th Edition.

Applications

- Whole Home Protection

Features

- Six Modes of protection
- TPMOV[®] surge protection technology
- Module Power Switch, included on IG2240-IMSK, enables convenient disconnection of power at the SPD when replacing with an IMODULE[®]
- Includes three IMODULE[®] cartridges with LED power and protection status lights
- IMODULE[®] is quick and easy to replace, eliminating the need to install a new SPD unit
- Tamper-proof IMODULE[®] doors, will only open when the IMODULE[®] is being inserted
- Type 3R Rainproof Enclosure for indoor/outdoor applications in metal or plastic
- 10-year product warranty
- \$25,000 or \$50,000 connected equipment warranty for 10 years on appliances and electronics
- UL certified to ANSI/UL 1449, 4th Edition

| Ratings | |
|------------------------------|---|
| Input Voltage | 120/240 VAC, 50/60 Hz |
| Phase | Single |
| Modes of Protection | 6 (L1-N, L2-N, L1-G, L2-G, N-G, L1-L2) |
| Surge Protection Technology | TPMOV [®] |
| Max Surge Current Rating | 50 kA |
| # of Leads | 4 |
| Lead Gauge | #10 AWG, Tinned Copper |
| Operating Temperature | -31°F - 185°F (-35°C - 85°C) |
| Dimensions H x Dia | See page 131 for dimensions |
| Warranty | 10-Year limited (Base), 3-Year limited (IMODULES [®]) |
| Connected Equipment Warranty | 10-Year / \$25,000 |

ACCESSORIES

| Model Number | Description |
|--------------|---|
| IG120RSM10K | IMODULE [®] Replacement Module for SMARTGUARD [®] |
| IG120RSM20 | Replacement IMODULE [®] for IG2280 Series |
| IG2200-FMK | Flush Mount Kit for IG2240-IMSK and IG2280-IM |



Note: IG2240-IMSK includes flush mount kit

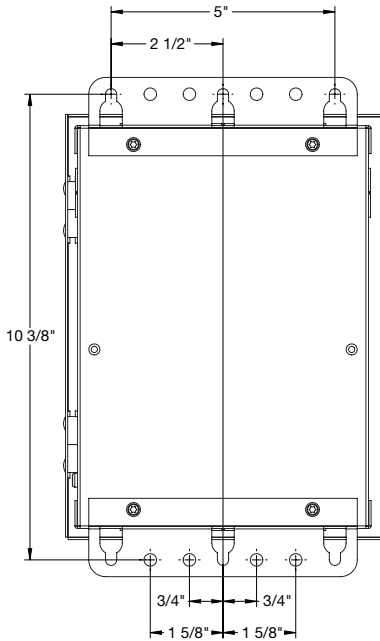
| Model # | SPD Type | In* (kA) | SCCR** (kA) | Maximum Continuous Operating Voltage | | | | Voltage Protection Rating | | | | Lead Length | Module Power Switch |
|--------------------------------------|----------|----------|-------------|--------------------------------------|-------|-------|-------|---------------------------|-------|-------|-------|-------------|---------------------|
| | | | | (L-N) | (L-L) | (L-G) | (N-G) | (L-N) | (L-L) | (L-G) | (N-G) | | |
| Indoor/Outdoor Type 3 Plastic | | | | | | | | | | | | | |
| IG2240-PK | 2 | 10 kA | 10 kA | 150 | 300 | 300 | 150 | 800 | 1200 | 1500 | 700 | 18" | No |
| IG2280-P | 2 | 20 kA | 100 kA | 150 | 300 | 300 | 150 | 800 | 1200 | 1500 | 700 | 18" | No |
| Outdoor Type 3R Metal | | | | | | | | | | | | | |
| IG2280-OM | 2 | 20 kA | 100 kA | 150 | 300 | 300 | 150 | 800 | 1200 | 1500 | 700 | 18" | No |
| Indoor Type 1 Metal | | | | | | | | | | | | | |
| IG2240-IMSK | 1,2 | 10 kA | 10 kA | 150 | 300 | 300 | 150 | 800 | 1500 | 1500 | 700 | 32" | Yes |
| IG2280-IM | 2 | 20 kA | 100 kA | 150 | 300 | 300 | 150 | 800 | 1200 | 1500 | 700 | 18" | No |

*Nominal Discharge Current

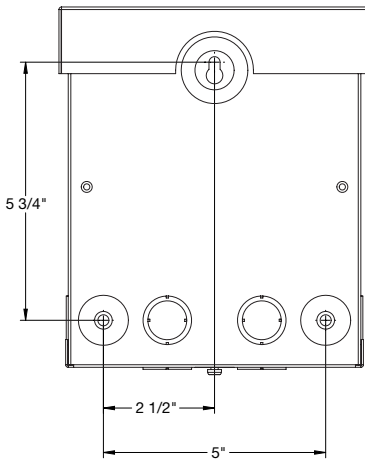
**Short Circuit Current Rating

DIMENSIONS FOR IG 2200 SERIES

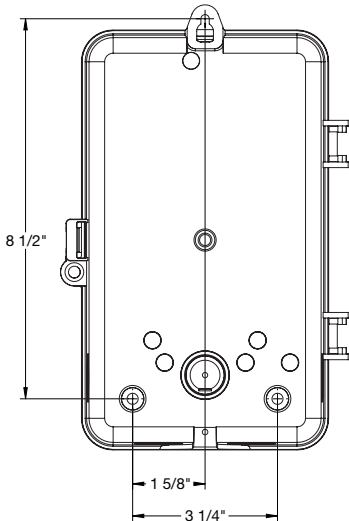
IG2240-IMSK and IG2280-IM



IG2280-OM

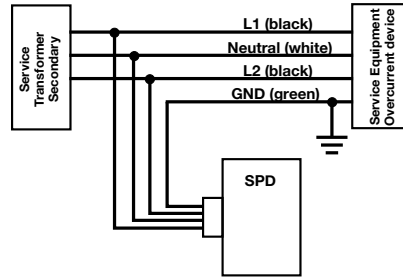


IG2240-PK



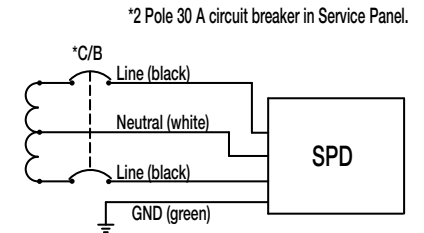
TYPE 1 INSTALLATION

120/240 VAC Single-Phase

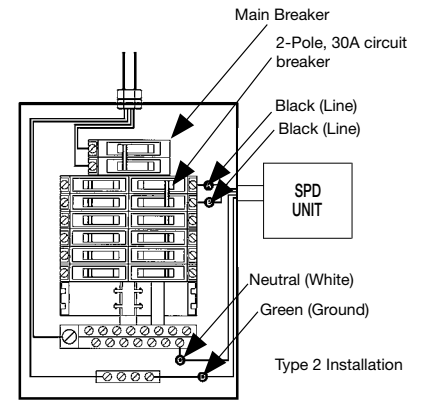


TYPE 2 INSTALLATION

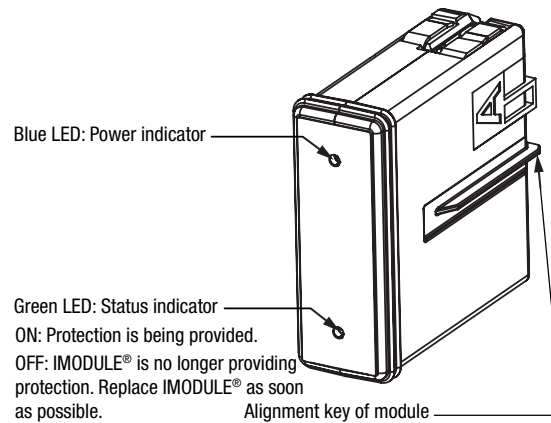
120/240 VAC Single-Phase



SPD TYPE 2 WIRING DIAGRAM
120/240 VAC SINGLE-PHASE



REPLACEABLE IMODULE



Step 1
Turn off power and remove affected module



Step 2
Insert new module



Step 3
Turn on power; green light indicates surge protection has been restored

Surge Protection

Type 3 SPD for Commercial and Industrial

IG Series, Surge Strips

POINT-OF-USE SURGE STRIPS

Type 3 Point-of-Use Surge Protective Devices (SPD) are designed for heavy industrial use with 3 modes of surge protection (L-N, L-G, N-G). Features a 15 A resettable breaker and #14 AWG SJT power cord with molded plug. CSA certified to ANSI/UL 1449, 3rd Edition.

Applications

- Surge Protection

Features

- Three Modes of protection
- Metal Oxide Varistor (MOV) surge protection technology
- 15 A resettable breaker
- #14 AWG SJT power cord with molded plug
- LED protection indicator
- Extruded aluminum housing
- 5-year product warranty
- \$5,000, \$10,000 or \$25,000 connected equipment warranties on appliances and electronics
- CSA certified to ANSI/UL 1449, 3rd Edition



IG112463

IG112663

| Model # | Voltage Protection Rating (V) | | | Cord Length | Outlets | Illuminating ON/OFF Switch | EMI/RFI Noise Filtration | Color | Product Warranty | Connected Equipment Warranty |
|---------------|-------------------------------|-------|-------|-------------|---------|----------------------------|--------------------------|-------|------------------|------------------------------|
| | (L-N) | (L-G) | (N-G) | | | | | | | |
| IG112463 | 700 | 600 | 600 | 6' | 4 | Yes | No | White | 5-Year limited | 5-Year / \$10,000 |
| IG112663 | 700 | 600 | 600 | 6' | 6 | Yes | No | White | 5-Year limited | 5-Year / \$10,000 |
| IG112663BLK10 | 700 | 600 | 600 | 10' | 6 | Yes | No | Black | 5-Year limited | 5-Year / \$10,000 |
| IG206153 | 400 | 400 | 500 | 15' | 6 | No | Yes | White | 5-Year limited | 5-Year / \$25,000 |
| IG20B123 | 700 | 600 | 600 | 6' | 6 | No | No | White | 5-Year limited | 5-Year / \$5,000 |
| IG2012B153 | 700 | 600 | 600 | 15' | 6 | No | No | White | 5-Year limited | 5-Year / \$5,000 |



| Ratings | |
|-----------------------------|------------------------------|
| Input Voltage | 125 VAC, 60 Hz |
| SPD Type | 3 |
| MCOV* | 130 |
| Surge Protection Technology | MOV |
| Operating Temperature | -4°F - 104°F (-20°C - 40°C) |
| Dimensions | See dimension drawings below |
| Warranty | 5-Year limited |

* Maximum Continuous Operating Voltage

ACCESSORIES

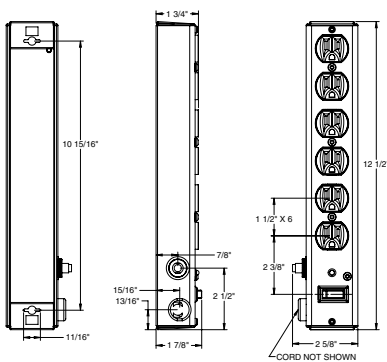
| Model Number | Description |
|--------------|--|
| 24EG5133 | Mounting Bracket Plate for Type 3 SPD Surge Strips |



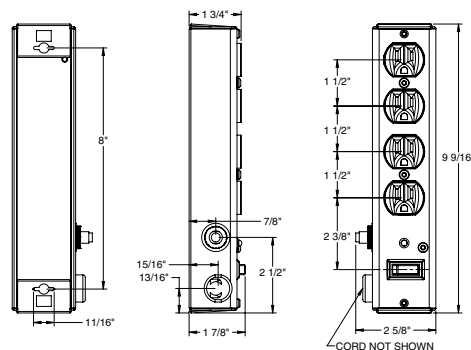
24EG5133

IG SERIES DIMENSIONS (SURGE STRIPS)

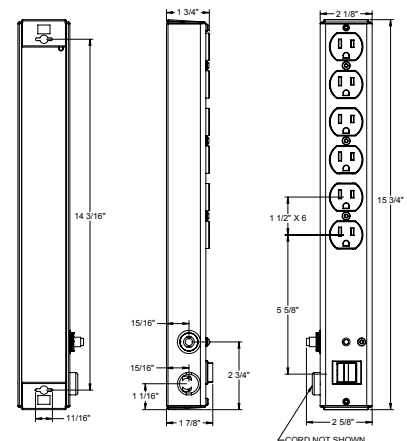
IG112663, IG112663BLK10



IG112463



IG206153, IG20B123, IG2012B153



IG1300 Series

TYPE 2 SPD

The IG1300 Series provides protection for telephone and coax lines in addition to AC Power. Trusted, state-of-the-art TPMOV™ (Thermally Protected Metal Oxide Varistor) surge protection technology eliminates the potentially hazardous failure modes that are commonly associated with standard MOV technology. A green LED indicator provides status of protection. The IG1300 Series Surge Protective Devices are designed for Type 2 applications for installations after service entrances. CSA certified to ANSI/UL 1449, 3rd Edition, UL 497A for phone line and UL 497B for coax cable.

APPLICATIONS

- Distribution Panel • Service Entrance

FEATURES

- Six modes of protection for AC SPD
- TPMOV™ surge protection technology for AC SPD
- Green LED indicator provides status of protection
- Provides telephone (analog phone line, modem or DSL) and coax line protection (cable TV, cable Internet or Satellite TV)
- Type 3R plastic rainproof enclosure for indoor/outdoor installations
- 5-year product warranty
- \$10,000 connected equipment warranty on appliances and electronics
- CSA certified to ANSI/UL 1449, 3rd Edition
- UL 497A for phone line protection
- UL 497B for coax protection



IG1300-2T-1C3

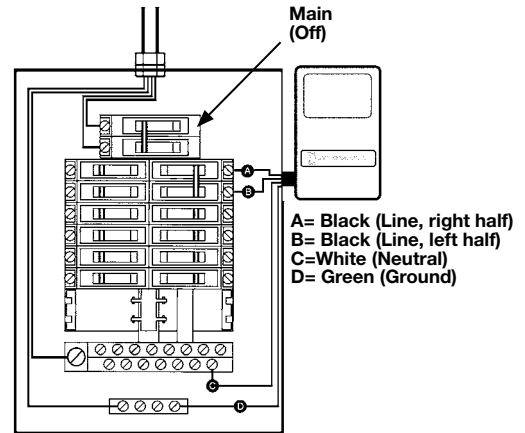
| Model # | Enclosure Type | No. of Telephone Lines Protected | No. of Coax Lines Protected | Maximum Continuous Operating Voltage | | | | Voltage Protection Rating | | | |
|---------------|-------------------------|----------------------------------|-----------------------------|--------------------------------------|-------|-------|-------|---------------------------|-------|-------|-------|
| | | | | (L-N) | (L-L) | (L-G) | (N-G) | (L-N) | (L-L) | (L-G) | (N-G) |
| IG1300-2T-1C3 | Outdoor type 3R plastic | 2 | 1 | 150 | 300 | 300 | 150 | 700 | 1200 | 1200 | 700 |
| IG1300-4T-2C3 | | 4 | 2 | | | | | | | | |



| Ratings | |
|------------------------------|--|
| Input Voltage | 120/240 VAC, 50/60 Hz |
| Phase | Single |
| SPD Type | 2 |
| Modes of Protection | 6 (L1-N, L2-N, L1-G, L2-G, N-G, L1-L2) |
| In (kA)* | 20 kA |
| SCCR (kA)** | 50 kA |
| Surge Protection Technology | TPMOV™ |
| Operating Temperature | -31°F - 185°F (-35°C - 85°C) |
| # of Leads / Length | 4 / 24" |
| Lead Gauge | #12 AWG, Tinned Copper |
| Dimensions H x W x D | 10" x 6.5" x 4" (254 mm x 165 mm x 102 mm) |
| Warranty | 5-Year limited |
| Connected Equipment Warranty | 5-Year limited / \$10,000 |

* Nominal Discharge Current ** Short Circuit Current Rating

TYPE 2 INSTALLATION



WANT TO KNOW MORE?



Protect Industrial Facilities with PANELGUARD® Surge Protection

Scan the QR code with your smartphone or tablet to learn how to eliminate the threat of a business-crippling power surge event by putting a PANELGUARD® Surge Protective Device at the heart of your industrial or commercial facility.



HVAC Surge and Power Protection Solutions

Protect expensive HVAC equipment from unexpected power surge events, brownouts and short cycling with our robust surge protection solutions. These durable SPDs are simple to install and provide a lasting defense against power quality issues.



Residential HVAC Systems

Add the AG3000 and COMPRESSOR DEFENDER™ to residential HVAC systems to safeguard equipment long after the system manufacturer's warranty expires. The dynamic duo protects electrical components and provides lasting homeowner value.

Distribution Panel

Connect our surge protection solutions to residential or commercial distribution panels to provide a layer of coverage against power surge events. This method of installation can be completed in minutes and provides lasting protection.



Storm Season Protection

When dangerous weather strikes, safeguard heating and cooling system components, such as ductless mini-splits, heat pumps and central air conditioners, from sudden power quality issues with our robust SPDs.

Advanced Technology

AG3000 and COMPRESSOR DEFENDER™ solutions use TPMOV® surge protection technology to eliminate failure modes commonly associated with standard MOVs. This allows the SPDs to deliver superior performance over the long haul.



Contents

| | |
|--|-----|
| Type 1 or 2 Surge Protective Device..... | 136 |
| HVAC Power Protection Device..... | 138 |



Additional Solutions and Resources

Ready to get started? Scan the QR code to the right for a variety of helpful resources, including sell sheets, product instructions, installation videos and more!



HVAC Surge & Power Protection

Type 1 or 2 Surge Protective Device



AG3000

AG3000

HVAC SURGE PROTECTIVE DEVICE

Power surges are the silent killer for home appliances and HVAC equipment. Most homeowners protect their electronics, but leave more valued equipment unprotected. Surges can wipe out equipment and leave you searching for answers. Search no more. The easy-to-install AG3000 Surge Protective Device (SPD) is the perfect add-on for HVAC equipment. A green LED indicator provides the status of protection. Trusted, state-of-the-art TPMOV[®] (Thermally Protected Metal Oxide Varistor) technology eliminates the potentially hazardous failure modes that are commonly associated with standard MOV technology. UL Listed to ANSI/UL 1449, 4th Edition.

APPLICATIONS

• Distribution Panel • Service Entrance • HVAC Equipment Protection

FEATURES

- Three modes of protection: L-G, L-L, L-N
- TPMOV[®] surge protection technology
- Green LED indicator provides status of protection
- Type 4X watertight and UV resistant plastic enclosure
- 3-year product warranty
- \$7500 connected equipment warranty for 3 years



| Ratings | |
|-------------------------------------|--|
| Service Voltage | 120/240 VAC Single-Phase |
| Phase | Single |
| SPD Type | 1, 2 |
| MCOV (Max Continuous Overvoltage) | L-N/G 150, L-L 300 |
| In (Nominal Discharge Rating) | 20 kA |
| SCCR (Short Circuit Current Rating) | 100 kA |
| Maximum Surge Current Rating | 50 kA |
| Voltage Protection Rating (VPR) | L-L 1200, L1-N/G 700 |
| Modes of Protection | 3 (L1-N, L2-N, L1-L2) |
| Surge Protection Technology | TPMOV [®] |
| Lead Gauge | #10 AWG, Tinned Copper |
| Dimensions H x W x D | 3 7/8" x 1 5/8" x 4 3/8" (98 mm x 41 mm x 106.4 mm) |
| Operating Temperature | -40°F - 158°F (-40°C - 70°C) |
| Warranty | 3-Year limited |
| Connected Equipment Warranty | 3-Year / \$7500 |

| Model # | Enclosure |
|---------|------------------------|
| AG3000 | Indoor/outdoor type 4X |

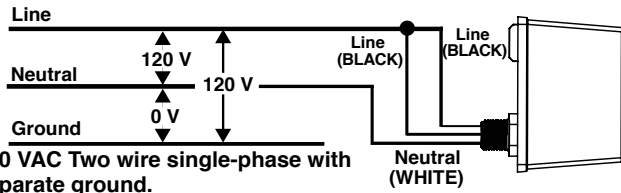
Want to Know More?



Take residential or light commercial projects to new heights with the Intermatic AG3000 and Compressor Defender™. Our dependable new surge protective devices make for a smart add-on to seasonal HVAC maintenance contracts and require only 10 minutes to install.

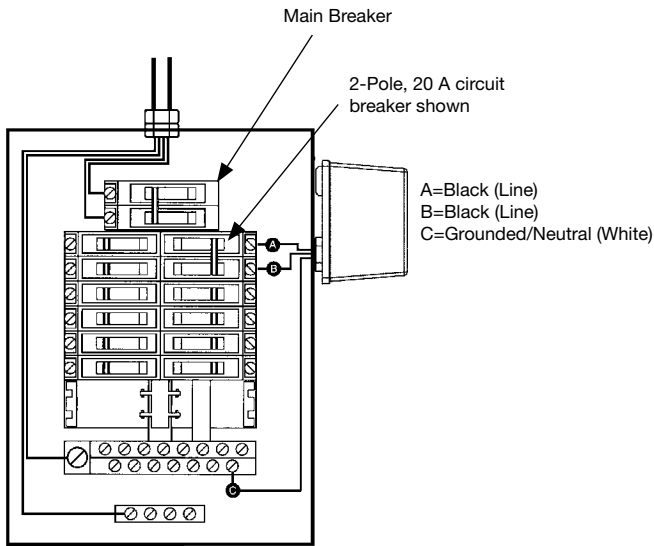
An ideal fit for central air conditioning systems, mini splits, heat pumps and more, the AG3000 and Compressor Defender provide layered surge protection and include a \$7500 warranty on all connected equipment. Once installed, they can be the difference when protecting a home or business from damaging power surge events, brown outs and short cycling issues.

WIRING DIAGRAMS

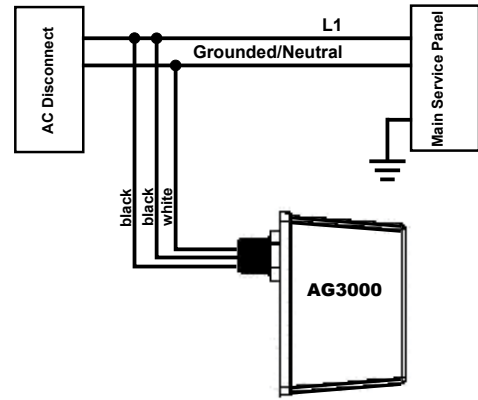


Found at connections for individual pieces of equipment such as pumps, single phase motors and HVAC applications.
NOTE: Both Black wires connect to Line.

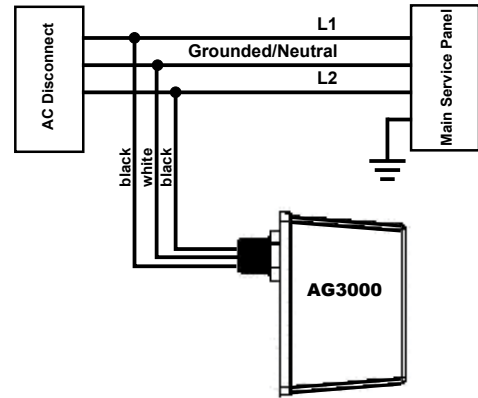
Typical Distribution Panel Installation



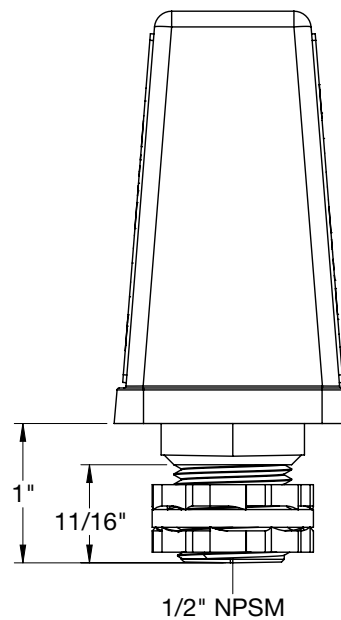
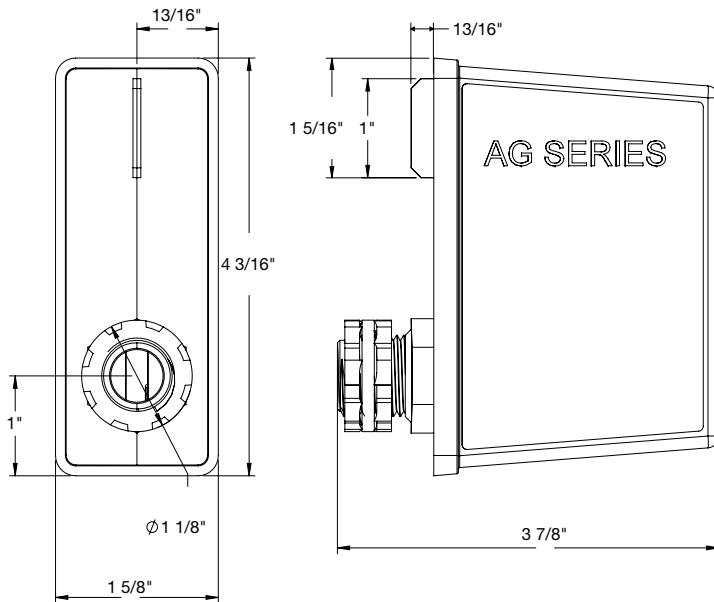
AG3000 Wiring Diagram - Type 2
120 VAC



AG3000 Wiring Diagram - Type 2
240 VAC



DIMENSIONS



HVAC Surge & Power Protection

HVAC Power Protection Device



CD1-024R



| Ratings | | |
|-------------------------------------|-------------------------------------|---------------------------|
| Input Voltage | 120/208-240 VAC Single Phase, 60 Hz | |
| Thermostat Relay | Normally Closed Relay, 24 VAC | |
| SPD Type | 2 | |
| Modes of Protection | 3 (L1-N, L2-N, L1-L2) | |
| Control Output Current Rating | 2 A @ 24 VAC, isolated NC contact | |
| Max Continuous Overvoltage (MCOV) | L-N/G: 150, L-L: 300 | |
| Voltage Protection Rating (VPR) | L-N/G: 700, L-L: 1200 | |
| Nominal Discharge Rating (In) | 20 kA | |
| SCCR (Short Circuit Current Rating) | 100 kA | |
| Maximum Surge Current Rating | 50 kA | |
| Undervoltage Response Time | 5 line cycles* | |
| Power Disruption Response Time | 3 line cycles* | |
| Short Cycle Delay | 3 min | |
| Enclosure | Outdoor type 3 | |
| Lead Gauge | #10 AWG, Tinned Copper | |
| Undervoltage Pickup Table | Nominal System Voltage | Range B Protection |
| | 120 VAC | 104 |
| | 208 VAC | 180 |
| | 240 VAC | 208 |
| Operating Temperature | -40°F - 158°F (-40°C - 70°C) | |
| Warranty | 3-Year limited | |
| Connected Equipment Warranty | 3-Year/ \$7500 | |

*Typical Response Time

CD1-024R

COMPRESSOR DEFENDER™ UNDERVOLTAGE, SURGE AND SHORT CYCLE PROTECTIVE DEVICE

The Compressor Defender is the only all-in-one undervoltage and surge power protection device on the HVAC Market, providing protection for central A/C and heat pump condensing units and their associated motors, controls and components—both electronic and mechanical. It can be installed inside the condensing unit or externally on the outdoor A/C disconnect. Autosense voltage technology protects at any voltage from 120-240 VAC, making it an ideal solution for residential or light commercial installations. Trusted, state-of-the-art TPMOV™ (Thermally Protected Metal Oxide Varistor) surge protection technology eliminates the potentially hazardous failure modes that are associated with standard MOV technology. The device is also designed with integrated 3-minute short cycle time delay protection.

APPLICATIONS

- Distribution Panel • Service Entrance • HVAC Equipment Protection

FEATURES

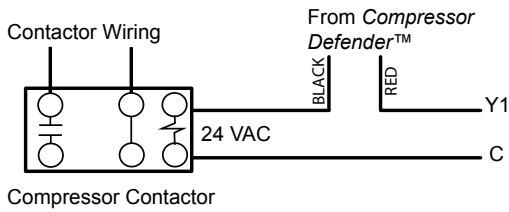
- TPMOV™ surge protection technology
- 3-year, \$7500 connected equipment warranty
- Auto-sense voltage technology
- Quick-reacting, 5-line cycle undervoltage response time
- 120/208-240 VAC universal input
- 24 VAC/VDC, 2 A control thermostat output
- 3-minute short cycle time delay
- Two LED indicators provide real time status for quick and easy troubleshooting and functional visibility for end users
- Surge protection complies with the latest UL 1449, 4th Edition, surge protective device requirements
- Undervoltage protection complies with AHRI standard 110-2016 Range B Protective Device
- Undervoltage Response Time: 5 line cycles*
- Power Disruption Response Time: 3 line cycles*
- Type 3 Outdoor, UV resistant plastic enclosure

*Typical Response Time

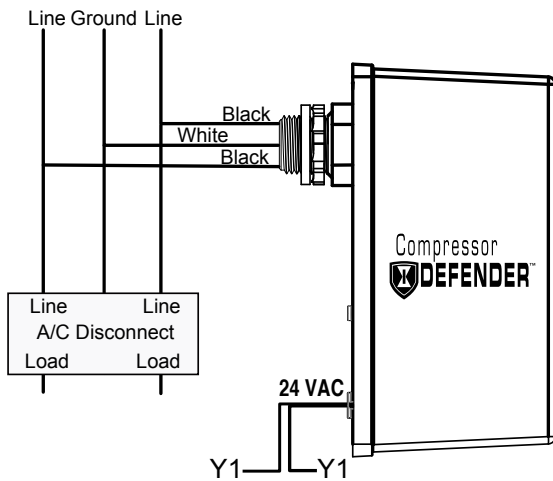
| Model # | Enclosure |
|----------|----------------|
| CD1-024R | Outdoor type 3 |

WIRING DIAGRAMS

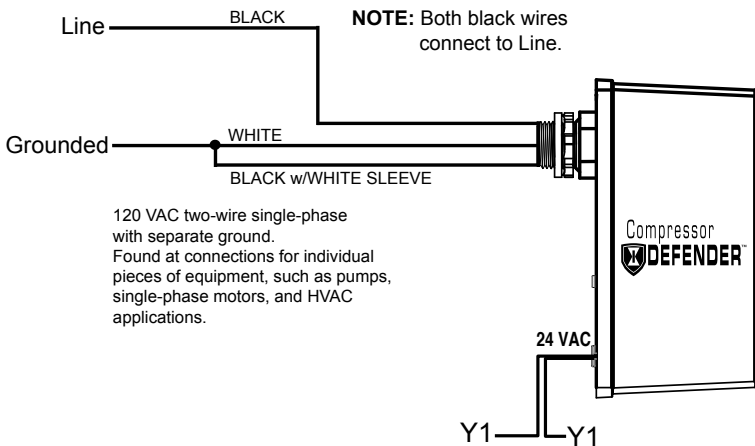
Applicable to both single- and two-stage central A/C & heat pumps.



Typical 208/240 VAC Recommended Application

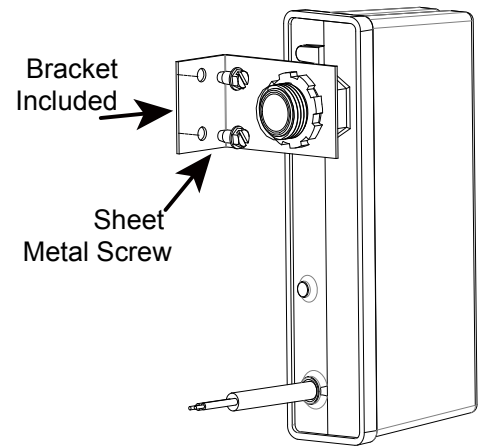


Typical 120 VAC Application



MOUNTING

Mounting Inside Panel/ Condenser



LED Diagnostic Indicator Key

| Condition | Green LED | Red LED |
|------------------------|-----------|---------|
| Surge Protection | ON | - |
| No Surge Protection | OFF | - |
| Undervoltage | - | Flash |
| Short Cycle Protection | Flash | - |
| Unit Power Lost | OFF | OFF |

Weatherproof Cover Solutions

Keep outdoor receptacles and outlets shielded from the elements with our versatile lineup of weatherproof covers. Available in plastic, extra-duty plastic and extra-duty die-cast options, our rugged solutions provide lasting code-compliant protection.



Outdoor Receptacle Protection

Ensure outdoor receptacles stay protected all year long with our wide selection of in-use weatherproof covers. Our industry-leading solutions are available in a variety of single- and double-gang models and are an excellent choice in residential, commercial and industrial applications.

Simple Code Compliance

Secure and code compliant, our in-use covers are the perfect solution for commercial applications. They're available in a variety of colors, which can be used to match with business branding, as well as vertical and horizontal orientations.



Backyard Aesthetics

Do away with unflattering "wall warts" by installing our sleek, low-profile expandable in-use covers in residential applications. These modern covers enhance building aesthetics and include an expandable front window that can be collapsed to save space when not in use.



Vehicle Charging and Power Access

Keep outlets in outdoor applications such as vehicle charging and campsite power access protected from the elements with our rugged in-use weatherproof covers. Available extra-duty models align with commercial and industrial code standards.



Contents

| | |
|---|-----|
| Low-Profile Extra-Duty Plastic Covers | 142 |
| Extra-Duty Die-Cast In-Use Covers | 144 |
| Extra-Duty Plastic In-Use Covers..... | 146 |
| Plastic In-Use Covers | 148 |
| Accessories..... | 152 |
| Code Compliance..... | 153 |

Additional Solutions and Resources

Ready to get started? Scan the QR code to the right for a variety of helpful resources, including sell sheets, product instructions, installation videos and more.



Weatherproof Covers

Low-Profile Extra-Duty Plastic Covers



Low-Profile, Expanded Possibilities

Our low-profile expandable in-use weatherproof covers provide a sleek, easy-to-use alternative to traditional in-use weatherproof cover options. The unique design of the WP6000, WP6200, WP7000 and WP7200 Series includes an expandable front window that can be collapsed to save space when not in use. This improves aesthetics while delivering dependable, code-compliant protection for a range of outdoor applications.

Available in standard and extra-duty configurations, our new plastic low-profile in-use covers are an excellent upgrade to any home or business.

Includes:

- **Improved Aesthetics** – Unlike traditional covers, Low-Profile In-Use Covers include an expandable front window that can be collapsed to save space when not in use
- **Simple, Secure Access** – An innovative new design provides a no-hassle latch with lockable hasp that can be opened effortlessly with one hand
- **Quick Installation** – GFCI pre-set; keyhole slots help electrical contractors complete installation in minutes
- **Configuration Options** – Available in single-gang and double-gang configurations, as well as standard and extra-duty; select white, gray or bronze color options; single-gang models accommodate both vertical and horizontal installations
- **Code Compliant** – WP7000 and WP7200 Series Low-Profile In-Use Covers comply with 2020 NEC Article 406.9 (B)(1) for wet locations and Extra-Duty applications; CEC 26-708 Compliant; RoHS Compliant

Upgrade today with the trusted market leader for in-use weatherproof covers. For more information, visit intermatic.com/low-profile-in-use-cover.

Low-Profile Extra-Duty Plastic In-Use Weatherproof Covers

SINGLE-GANG COVERS & DOUBLE-GANG COVERS

Plastic In-Use Weatherproof Covers are easy to install and include a gasket, mounting screws, base, cover assembly and inserts to meet the needs of a variety of applications.

APPLICATIONS

- Receptacle Protection

FEATURES

- 100% Paintable surface
- Complies with 2020 NEC Article 406.9 (B)(1) for wet locations and extra-duty applications
- CEC Section 26-708 compliant
- UL Certified for Type 3R outdoor enclosures
- Meets requirements for cold impact testing: -60° F (-51° C)
- Heavy-duty UV stabilized polycarbonate cover, mounting base, and inserts
- 3/8" (3 mm) thick, neoprene gasket with slits for mounting screws
- Lockable hasp: All models accept up to 0.19" dia shank
- Impact rated: 12 lbf. impact test to ensure cover remains intact
- Reinforced hinge pin designed to exceed 40 lbf. hinge hang/stress test
- Warranty: 1-year limited
- NEW Faster Installation, Pre-Set for GFCI, No insert required

SINGLE-GANG COVERS

- Two inserts provided with all models that allow each model to meet multiple installations (up to 8 configurations)

DOUBLE-GANG COVERS

- Four inserts provided with all models that allow each model to meet multiple installations (up to 16 configurations)



WP7000BR



WP7200G

SINGLE-GANG - VERTICAL/HORIZONTAL

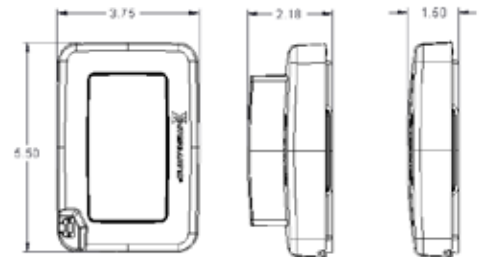


| Model # | Color | Style | Depth |
|----------|---------------|------------|----------------|
| WP6000G | Clear, Gray | Standard | 1.5" (38.1 mm) |
| WP6000W | Clear, White | Standard | 1.5" (38.1 mm) |
| WP6000BR | Bronze, Clear | Standard | 1.5" (38.1 mm) |
| WP7000G | Clear, Gray | Extra-Duty | 1.5" (38.1 mm) |
| WP7000W | Clear, White | Extra-Duty | 1.5" (38.1 mm) |
| WP7000BR | Bronze, Clear | Extra-Duty | 1.5" (38.1 mm) |
| WP7003G | Clear, Gray | Extra-Duty | 1.5" (38.1 mm) |

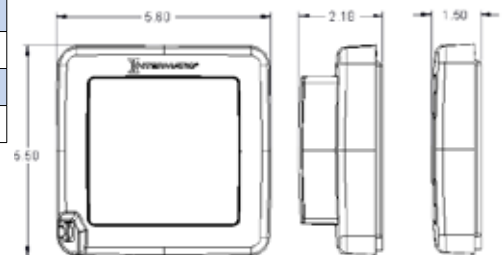
For accessories see page 152

DIMENSIONS

SINGLE-GANG



DOUBLE-GANG



DOUBLE-GANG



| Model # | Color | Style | Depth |
|----------|---------------|------------|----------------|
| WP6200G | Clear, Gray | Standard | 1.5" (38.1 mm) |
| WP7200G | Clear, Gray | Extra-Duty | 1.5" (38.1 mm) |
| WP7200W | Clear, White | Extra-Duty | 1.5" (38.1 mm) |
| WP7200BR | Bronze, Clear | Extra-Duty | 1.5" (38.1 mm) |

For accessories see page 152

Weatherproof Covers

Extra-Duty Die-Cast In-Use Covers



WP3110MXD



WP1010HMXD



WP1010MXD



WP1250MVXD



WP1030MXD



WP1250MXD

Extra-Duty Die-Cast In-Use Weatherproof Covers

SINGLE-GANG COVERS & DOUBLE-GANG COVERS

Die-Cast In-Use Aluminum Weatherproof Covers are extra-duty rated and easy to install. Heavy-duty die-cast aluminum construction ensures long-lasting durability. Covers come with a gasket, mounting screws, base, cover assembly and inserts to meet the needs of a variety of applications.

APPLICATIONS

- Engine Block Heaters • Receptacle Protection • Walk-in Refrigeration Cooler/Freezer

FEATURES

- Complies with 2020 NEC Article 406.9 (B)(1) for wet locations and extra-duty applications
- Exceeds CEC Article 26-708
- UL Certified for Type 3R outdoor enclosures
- Meets requirements for cold impact testing: -60° F (-51° C)
- Heavy-duty die-cast aluminum cover and mounting base with UV stabilized polycarbonate inserts
- 1/8" (3 mm) thick, neoprene gasket with slits for mounting screws
- Lockable hasp: All models accept up to 1/4" (6 mm) dia shank
- Impact rated: 12 lbf. impact test to ensure cover remains intact
- Reinforced hinge pin designed to exceed 40 lbf. hinge hang/stress test
- Warranty: 1-year limited

SINGLE-GANG

- Three inserts provided with all models that allow each model to meet multiple installations (up to 8 configurations)
- Max cord size: #12 AWG or smaller

DOUBLE-GANG

- Six inserts provided with all models that allow each model to meet multiple installations (up to 70 configurations)
- Max cord size: #12 AWG or smaller

SINGLE-GANG



| Model # | Color | Depth | Flexi-Guard Inserts |
|-------------|-------|-----------------|---------------------|
| WP1010MXD | Gray | 3 1/8" (79 mm) | WP17 |
| WP1010HMXD* | Gray | 3 1/8" (79 mm) | WP17 |
| WP1250MVXD | Gray | 4 3/8" (117 mm) | WP17 |
| WP3110MXD | Gray | 2 3/8" (70 mm) | WP17 |

*Note: WP1010HMXD is a horizontal mount.
For accessories see page 152

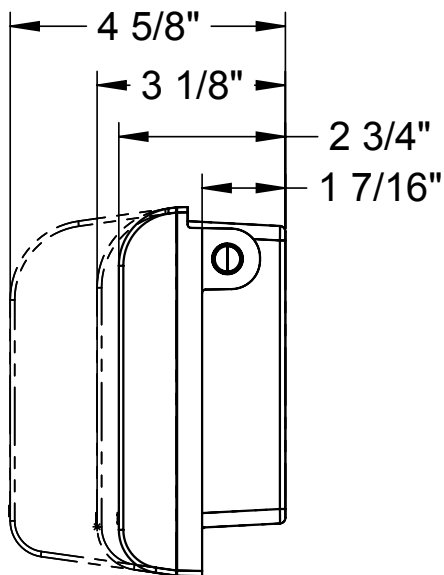
DOUBLE-GANG



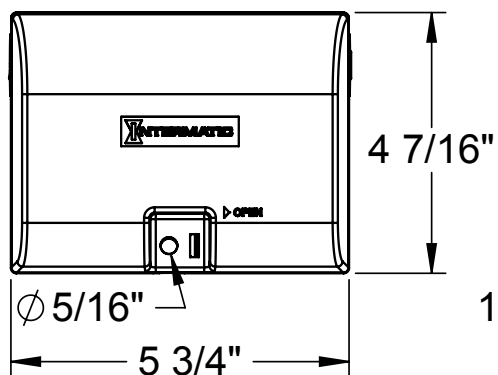
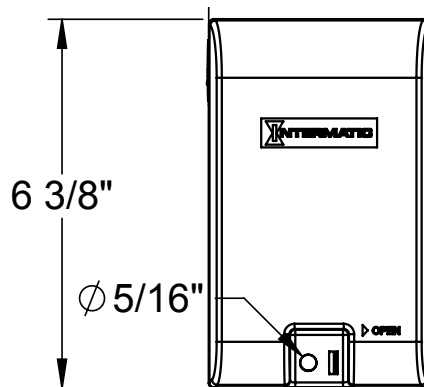
| Model # | Color | Depth | Flexi-Guard Inserts |
|-----------|-------|-----------------|---------------------|
| WP1030MXD | Gray | 3 1/8" (79 mm) | WP217 |
| WP1250MXD | Gray | 4 3/8" (117 mm) | WP217 |

For accessories see page 152

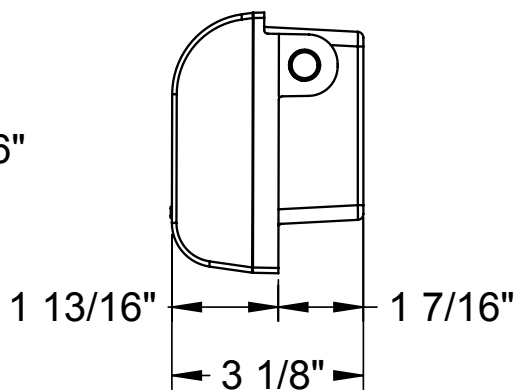
DIMENSIONS



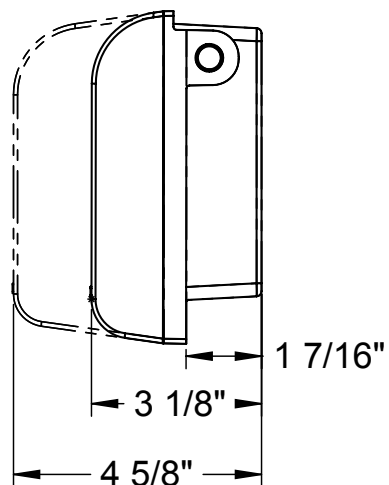
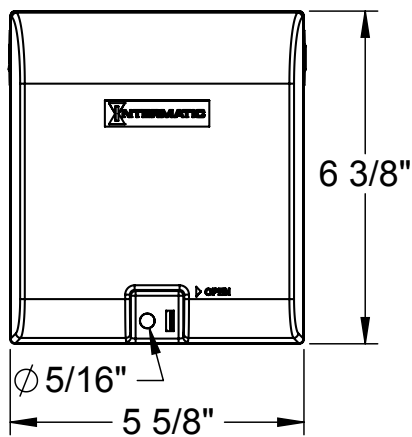
SINGLE-GANG



WP1010HMXD



DOUBLE-GANG

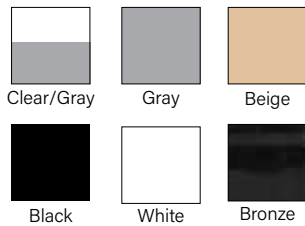


Weatherproof Covers

Extra-Duty Plastic In-Use Covers



WP5000G



Extra-Duty Plastic In-Use Weatherproof Covers

SINGLE-GANG COVERS & DOUBLE-GANG COVERS

Plastic In-Use Weatherproof Covers are extra-duty rated and easy to install. Covers come with a gasket, mounting screws, base, cover assembly and inserts to meet the needs of a variety of applications.

APPLICATIONS

- Receptacle Protection

FEATURES

- Complies with 2020 NEC Article 406.9 (B)(1) for wet locations and extra-duty applications
- CEC Section 26-708 compliant
- UL Certified for Type 3R outdoor enclosures
- Meets requirements for cold impact testing: -60° F (-51° C)
- Heavy-duty UV stabilized polycarbonate cover, mounting base, and inserts
- 1/8" (3 mm) thick, neoprene gasket with slits for mounting screws
- Lockable hasp: All models accept up to 1/4" (6 mm) dia shank
- Impact rated: 12 lbf. impact test to ensure cover remains intact
- Reinforced hinge pin designed to exceed 40 lbf. hinge hang/stress test
- Warranty: 1-year limited

SINGLE-GANG

- NEW Faster Installation, Pre-Set for GFCI, No insert required
- Two inserts provided with all models that allow each model to meet multiple installations (up to 16 configurations)
- Max cord size: (2) #14 AWG or (1) #12 AWG

DOUBLE-GANG

- Six inserts provided with all models that allow each model to meet multiple installations (up to 70 configurations)
- Max cord size: (2) #12 AWG or (1) #10 AWG
- 30/50 A (1) #6 AWG

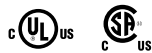


WP5500C



WP5103C

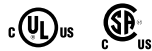
SINGLE-GANG - VERTICAL/HORIZONTAL



| Clear/Gray | Gray | Black | White | Bronze | Depth | Flexi-Guard Inserts |
|------------|---------|----------|---------|----------|----------------|---------------------|
| WP5000C | WP5000G | WP5000BL | WP5000W | - | 2 1/4" (57 mm) | WP17 |
| WP5100C | WP5100G | WP5100BL | WP5100W | WP5100BR | 2 3/4" (70 mm) | WP17 |
| WP5103C* | - | - | - | - | 2 3/4" (70 mm) | WP17 |
| WP5110C | - | - | - | - | 3 5/8" (92 mm) | WP17 |

* Includes 3/0 adapter plate for 3" (76 mm) round box.
For accessories see page 152

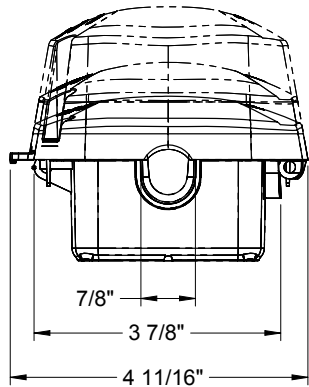
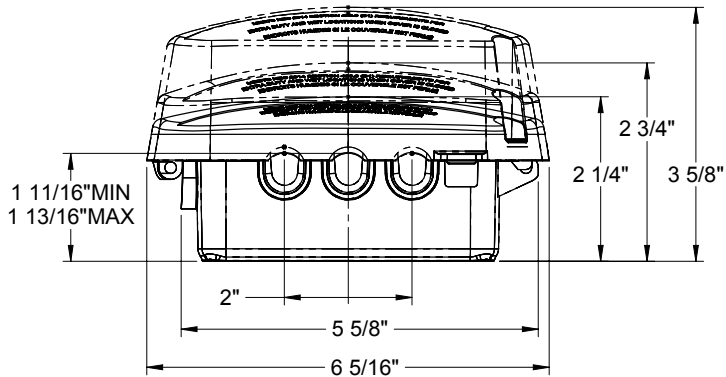
DOUBLE-GANG - VERTICAL



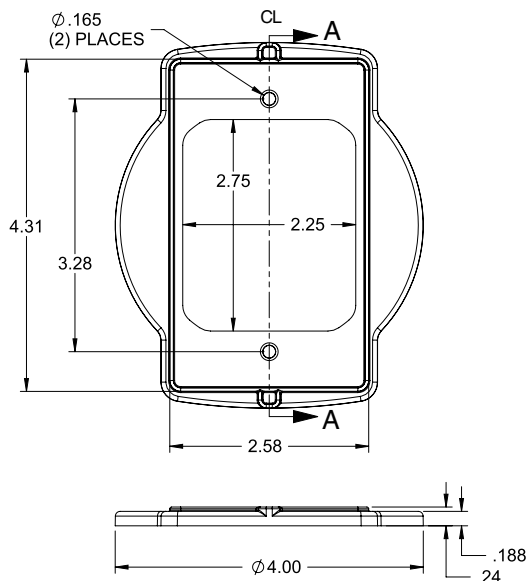
| Clear/Gray | Gray | Black | White | Beige | Depth | Flexi-Guard Inserts |
|------------|---------|----------|---------|---------|-------------------|---------------------|
| WP5220C | WP5220G | WP5220BL | WP5220W | WP5220B | 2 1/4" (57 mm) | WP217 |
| WP5221C | - | - | - | - | 2 1/4" (57 mm) | WP101, WP102 |
| WP5225C | WP5225G | - | - | - | 2 3/4" (70 mm) | WP217 |
| WP5240C | - | - | - | - | 3 5/8" (92 mm) | WP217 |
| WP5500C | - | - | - | - | 4 3/4" (121 mm)** | WP107, WP213 |

* Includes 3/0 adapter plate for 3" (76 mm) round box. **30/50 A = 4 1/4" (121 mm) depth.
For accessories see page 152

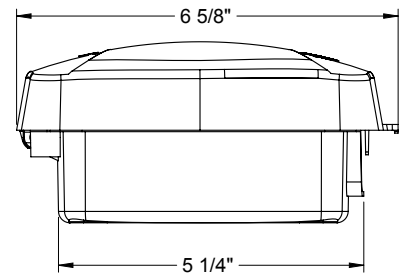
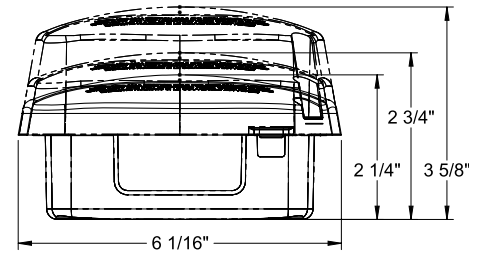
SINGLE-GANG



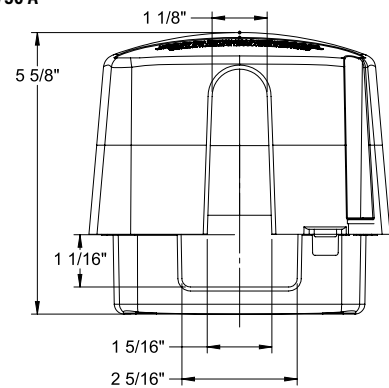
WP5103C



DOUBLE-GANG



**DOUBLE-GANG
30/50 A**



Weatherproof Covers

Plastic In-Use Covers



WP3103C



WP1100C



WP3100

Plastic In-Use Weatherproof Covers, Single-Gang, 16 Configurations

SINGLE-GANG COVERS

Plastic In-Use Weatherproof Covers are easy to install and include adhered gasket, mounting screws, base, cover assembly and inserts to meet the needs of a variety of applications.

APPLICATIONS

- Receptacle Protection

FEATURES

- Complies with 2020 NEC Article (406.9 (B)(1) for damp and wet locations
- UL Certified for Type 3R outdoor enclosures
- Meets requirements for cold impact testing: -60° F (-51° C)
- Heavy-duty UV stabilized polycarbonate cover, mounting base and inserts
- 1/8" (3 mm) thick, pre-adhered neoprene gasket with slits for mounting screws
- Lockable hasp: All models accept up to 1/4" (6 mm) dia shank, except WP3100C & WP3103C accept up to 3/8" (3 mm) dia shank
- Three inserts provided with all models that allow each model to meet multiple installations (up to 16 configurations)
- Max cord size: (2) #14 AWG or (1) #12 AWG
- Mounts vertically or horizontally
- Warranty: 1-year limited

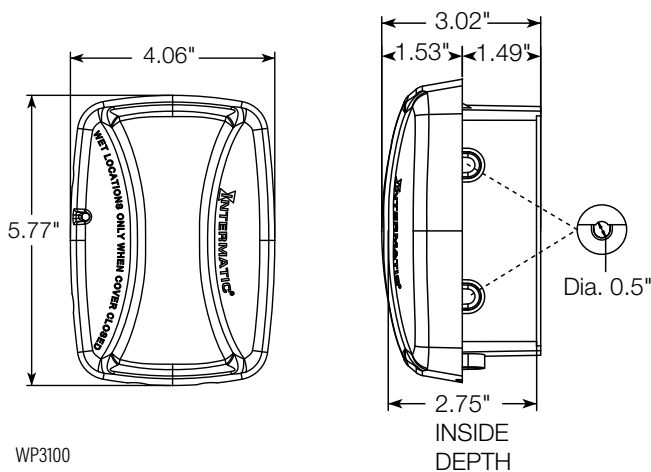


SINGLE-GANG - VERTICAL/HORIZONTAL HINGE

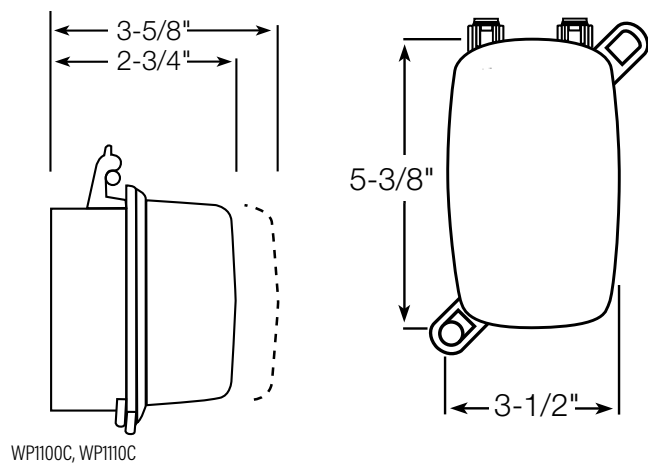
| Model # | Color | Depth | Flexi-Guard Inserts |
|----------|-------|----------------|---------------------|
| WP3100C | Clear | 2 3/4" (70 mm) | WP17 |
| WP3103C | Clear | 2 3/4" (70 mm) | WP17 |
| WP1100C | Clear | 2 3/4" (70 mm) | WP17 |
| WP1100WC | White | 2 3/4" (70 mm) | WP17 |
| WP110C | Clear | 3 5/8" (92 mm) | WP17 |

For accessories see page 152

DIMENSIONS



WP3100



WP1100C, WP110C

Plastic In-Use Weatherproof Covers, Single-Gang, 8 Configurations

SINGLE-GANG COVERS

Plastic In-Use Weatherproof Covers are easy to install and include adhered gasket, mounting screws, base, cover assembly and inserts to meet the needs of a variety of applications.

APPLICATIONS

- Receptacle Protection

FEATURES

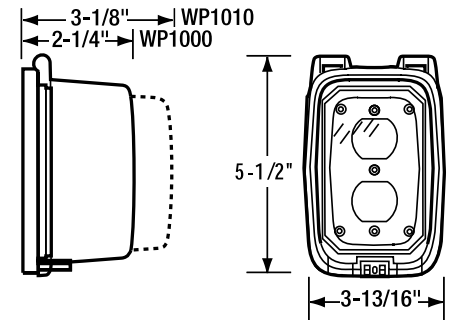
- Complies with 2020 NEC Article (406.9 (B)(1) for damp and wet locations
- UL Certified for Type 3R outdoor enclosures
- Meets requirements for cold impact testing: -60° F (-51° C)
- Heavy-duty UV stabilized polycarbonate cover, mounting base and inserts
- 1/8" (3 mm) thick, pre-adhered neoprene gasket with slits for mounting screws
- Three inserts provided with all models that allow each model to meet multiple installations (up to 8 configurations)
- Max cord size: (2) #14 AWG or (1) #12 AWG
- Warranty: 1-year limited



WP1000C

WP1000HC

DIMENSIONS



SINGLE-GANG - VERTICAL HINGE



| Model # | Color | Depth | Flexi-Guard Inserts |
|----------|-------|----------------|---------------------|
| WP1000C | Clear | 2 1/4" (57 mm) | WP17 |
| WP1000GC | Gray | 2 1/4" (57 mm) | WP17 |
| WP1010C | Clear | 3 1/8" (79 mm) | WP17 |

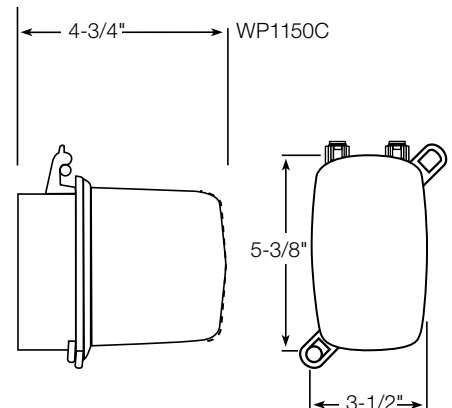
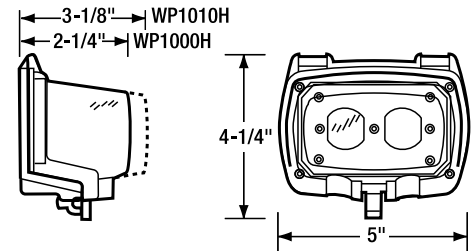
For accessories see page 152

SINGLE-GANG - HORIZONTAL HINGE



| Model # | Color | Depth | Flexi-Guard Inserts |
|-----------|-------|-----------------|---------------------|
| WP1000HC | Clear | 2 1/4" (57 mm) | WP17 |
| WP1000HGC | Gray | 2 1/4" (57 mm) | WP17 |
| WP1010HC | Clear | 3 1/8" (79 mm) | WP17 |
| WP1150C | Clear | 4 3/4" (121 mm) | WP17 |

For accessories see page 152



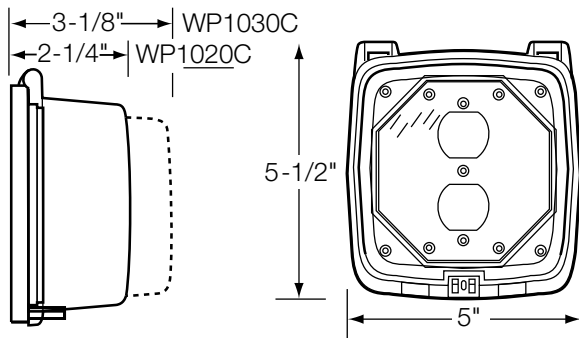
Weatherproof Covers

Plastic In-Use Covers

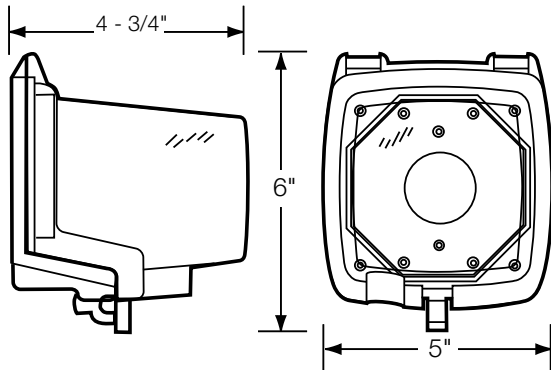


WP1020C

DIMENSIONS



WP1050



Plastic In-Use Weatherproof Covers, Double-Gang

DOUBLE-GANG COVERS

Plastic In-Use Weatherproof Covers are easy to install and include a gasket, mounting screws, base, cover assembly and inserts to meet the needs of a variety of applications.

APPLICATIONS

- Receptacle Protection

FEATURES

- Complies with 2020 NEC Article (406.9 (B)(1) for damp and wet locations
- UL Certified for Type 3R outdoor enclosures
- Meets requirements for cold impact testing: -60° F (-51° C)
- Heavy-duty UV stabilized polycarbonate cover, mounting base and inserts
- 1/8" (3 mm) thick neoprene gasket with slits for mounting screws
- Two inserts provided with all models for multiple installations
- Max cord size: (2) #14 AWG or (1) #12 AWG, WP1050 (2) #14 AWG or (1) #10 AWG
- Warranty: 1-year limited



DOUBLE-GANG - VERTICAL HINGE

| Model # | Color | Depth | Flexi-Guard Inserts |
|---------|-------|-----------------|---------------------|
| WP1020C | Clear | 2 1/4" (57 mm) | WP101, WP102 |
| WP1030C | Clear | 3 1/8" (79 mm) | WP101, WP102 |
| WP1050 | Clear | 4 3/4" (121 mm) | WP102, WP107 |

For accessories see page 152

Plastic In-Use Weatherproof Covers, Double-Gang, 70 Configurations

DOUBLE-GANG COVERS

Plastic In-Use Weatherproof Covers are easy to install and include a gasket, mounting screws, base, cover assembly, and inserts to meet the needs of a variety of applications.

APPLICATIONS

- Receptacle Protection

FEATURES

- Complies with 2020 NEC Article (406.9 (B)(1) for damp and wet locations
- UL Certified for Type 3R outdoor enclosures
- Meets requirements for cold impact testing: -60° F (-51° C)
- Heavy-duty UV stabilized polycarbonate cover, mounting base and inserts
- 1/8" (3 mm) thick neoprene gasket with slits for mounting screws
- Six inserts provided with all models that allow each model to meet multiple installations (up to 70 configurations)
- Max cord size: (2) #14 AWG or (1) #12 AWG, WP1250 (2) #14 AWG or (1) #10 AWG
- Warranty: 1-year limited



WP1250

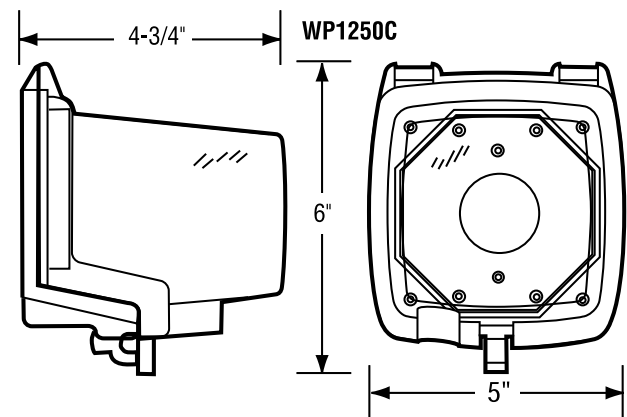
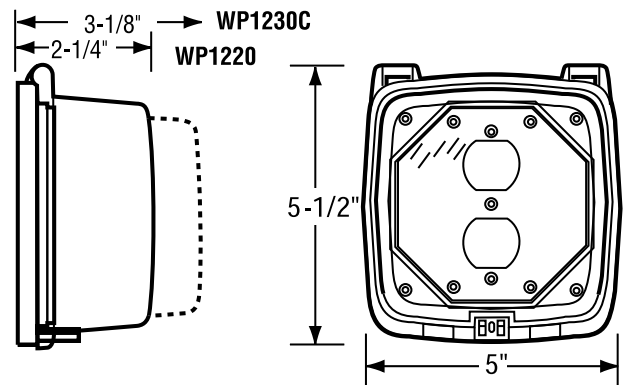
DOUBLE-GANG - VERTICAL HINGE



| Model # | Color | Depth | Flexi-Guard Inserts |
|---------|-------|-----------------|---------------------|
| WP1220C | Clear | 2 1/4" (57 mm) | WP217 |
| WP1230C | Clear | 3 1/8" (79 mm) | WP217 |
| WP1250C | Clear | 4 3/4" (121 mm) | WP217 |

For accessories see page 152

DIMENSIONS



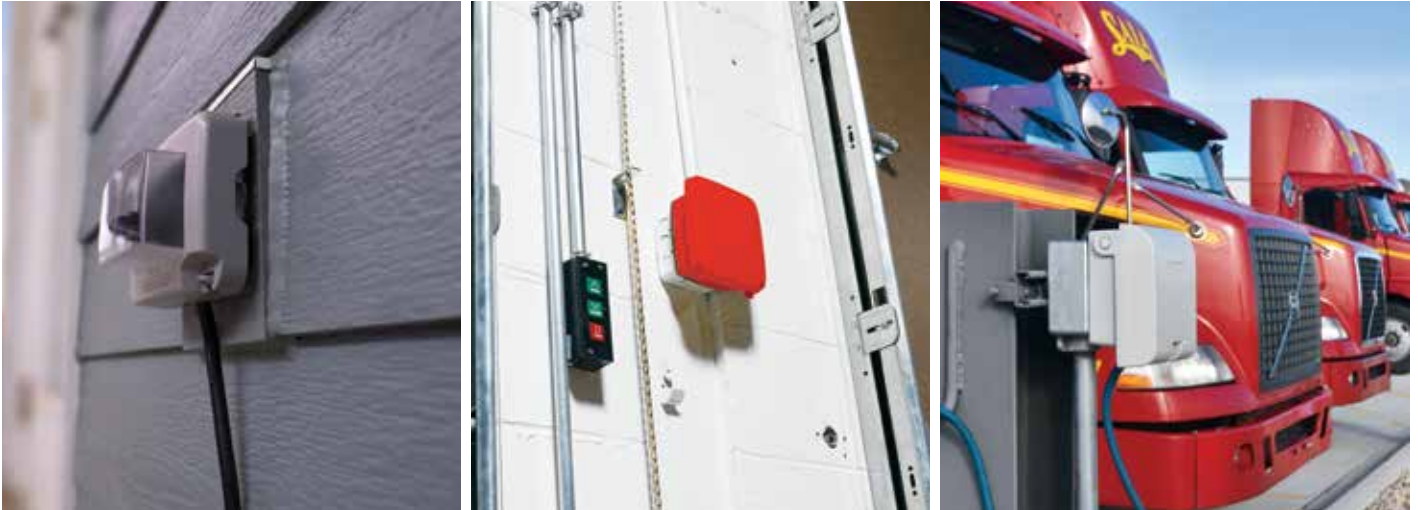
Flexi-Guard Inserts

All original series weatherproof covers include Flexi-guard inserts and mounting screws. Simply place the insert into the cover, rotate as needed, then snap it into place.

ACCESSORIES



| Model # | Description |
|---------|--|
| WP17 | Single-Gang Inserts (3) |
| WP217 | Double-Gang Inserts (6) |
| WP101 | Double-Gang Duplex Insert |
| WP102 | Double-Gang GFCI Insert |
| WP107 | Double-Gang Round Insert, 1 3/8", 1 5/8", 1 3/4" |
| WP213 | Double-Gang Round Insert, 2 1/8", 2 3/8" |



Rugged Design, Code-Compliant Protection

Our durable die-cast, low-profile, and plastic in-use weatherproof covers offer rugged protection in all types of applications.

STAY COMPLIANT 2020 NEC CODE, ARTICLE 406.9 (B)(1)

Intermatic Weatherproof Covers meet or exceed the latest NEC requirements for extra-duty applications and wet locations.

- For the 2020 NEC, all 15 and 20 ampere, 125 and 250 volt receptacles installed in a wet location still must have an enclosure and covers that are weatherproof whether an attachment plug cap is inserted or not.
- A revision now requires all enclosures and covers installed in wet locations for 15 and 20 ampere, 125 and 250 volt receptacles to be listed, and of the "extra-duty" type, not just boxes supported from grade.
- This requirement is now also required for dwelling units as well. The requirement for weather-resistant type receptacles in wet locations is still applicable in the 2020 NEC. This change also provoked changes to Article 590.4(D)(2) for extra-duty covers for all 15 and 20 ampere, 125 and 250 volt receptacles installed at temporary installations in a wet location.
- CEC Section 26-708 compliant.
- Standard weatherproof cover compliance guidelines apply only to 2020 Article 314.15.

WATCH AND LEARN



Our durable line-up of Die-cast and Plastic Weatherproof Covers offers long-lasting protection in all types of rugged applications: industrial, commercial, manufacturing, residential, and more!



Tired of fussing with bulky outdoor weatherproof covers? Upgrade to new WP6000 and WP7000 Series Low-Profile Expandable In-Use Weatherproof Covers from Intermatic.

Pool and Spa Solutions

Control and Protect your valuable pool equipment and landscape lighting with our affordable, time-saving pool and spa solutions. From timer controls and enclosures to safety transformers and surge protective devices, our products provide lasting value to pool owners while simplifying installation and setup.



Power Management and Protection

Lay a solid foundation with our versatile control panels and robust surge protection solutions. Designed to streamline installation, our load centers offer a variety of options and can be paired with SPDs to provide a lasting defense against harmful power quality issues.

Underwater Lighting

Expand the functionality of underwater luminaires by installing our safe, reliable transformer solutions. Hybrid solutions like our COMBOCONNECT™ Junction Box Transformer reduce clutter on the pool pad while maximizing performance.



Valve Control

Find the perfect flow for pool and spa equipment, fountains, pumps and more with our easy-to-operate valve actuators. These solution reduce the steps needed for cam adjustment and can be used in a variety of water applications.

Landscape Design

Elevate backyard décor with a selection of Intermatic timer controls. These solutions can be used to control ON/OFF schedules of garden and patio lights, as well as schedules for water features and outdoor decorations.



Contents

| | | | |
|------------------------------------|-----|-------------------------------------|-----|
| Mechanical Controls | 156 | Freeze Protection | 176 |
| Mechanical Control Centers | 158 | Remote Controls | 177 |
| Load Center | 164 | Air Switch | 178 |
| Transformers | 166 | Panel Mount Timers | 179 |
| Junction Boxes | 167 | Surge Protection | 180 |
| Electronic Controls | 168 | Specialty Controls | 181 |
| Electronic Control Centers | 170 | Electronic Panel Mount Timers | 182 |
| Wireless Electronic Controls | 173 | Portable Timers & Enclosures | 184 |
| Wireless Add-On Components | 174 | Accessories | 185 |
| Valve Actuators | 175 | | |

Additional Solutions and Resources

Ready to get started? Scan the QR code to the right for a variety of helpful resources, including sell sheets, product instructions, installation videos and more.





T101M

24-Hour Mechanical Time Switch Only T100 SERIES

Heavy-duty mechanical time switches control a single load. Highest HP ratings in the industry for loads up to 40 amps, providing direct 24 hr. control of most loads.

Applications

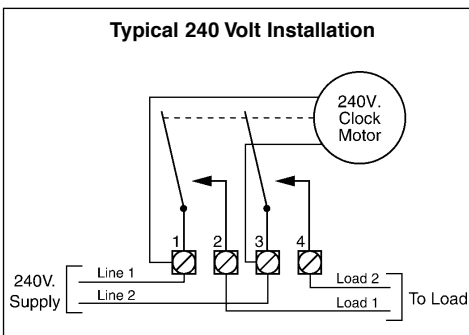
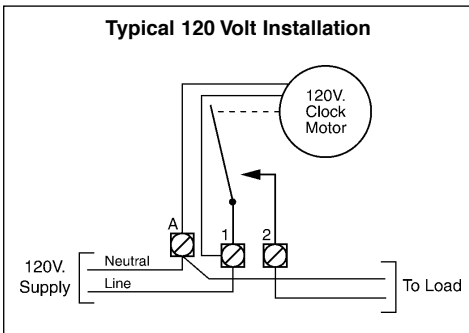
- Timing/Scheduling ON/OFF - Pump control

Features

- Highest motor load ratings in the industry
- Minimum ON/OFF times of 1 hour
- Up to 12 ON/OFF operations per day
- One ON and one OFF tripper included
- Can be installed in most Intermatic enclosures
- Available with pool heater protection
- Teeter-type terminals for multiple load connections
- Can be installed in most Intermatic enclosures

| Model # | Switch Type | Input Voltage | Electronic Ballast | Inductive | Resistive (Heater) | Tungsten (Incandescent) | Pilot Duty |
|---------------------------------------|-----------------|--------------------|--------------------|--------------------------|--------------------------|--------------------------|-----------------------------|
| Without Pool Heater Protection | | | | | | | |
| T101M | SPST | 120 VAC, 60 Hz | 16 A, 120 VAC | 40 A, 120-240 VAC, 60 Hz | 40 A, 120-240 VAC, 60 Hz | 40 A, 120-240 VAC, 60 Hz | 1000 VA, 120-240 VAC, 60 Hz |
| T103M | DPST | | 16 A, 120-277 VAC | 40 A, 120-240 VAC, 60 Hz | 40 A, 120-240 VAC, 60 Hz | 40 A, 120-240 VAC, 60 Hz | 1000 VA, 120-240 VAC, 60 Hz |
| T104M | DPST | 208-277 VAC, 60 Hz | 16 A, 120-277 VAC | 40 A, 120-277 VAC, 60 Hz | 40 A, 120-480 VAC, 60 Hz | 40 A, 120-277 VAC, 60 Hz | 1000 VA, 120-277 VAC, 60 Hz |
| T106M | 1 NO/1 NC, SPDT | | 16 A, 208-277 VAC | 40 A, 120-240 VAC, 60 Hz | 40 A, 120-240 VAC, 60 Hz | 40 A, 120-240 VAC, 60 Hz | 1000 VA, 120-240 VAC, 60 Hz |
| With Pool Heater Protection | | | | | | | |
| T104M201 | DPST | 208-277 VAC, 60 Hz | 16 A, 120-277 VAC | 40 A, 120-277 VAC, 60 Hz | 40 A, 120-480 VAC, 60 Hz | 40 A, 120-277 VAC, 60 Hz | 1000 VA, 120-277 VAC, 60 Hz |

WIRING DIAGRAMS



NOTES: 1. Grounding connections are not shown but must be provided. Refer to the National Electrical Code for details.
2. Diagrams above are only two of the many variations this Panel can accommodate.

| Ratings | |
|-------------------------------|---|
| Motor | 2 HP, 24 FLA @ 120 VAC, 60 Hz, 5 HP, 28 FLA @ 240 VAC, 60 Hz |
| Heater Control Circuit | 10 A, 250 VAC MAX, 60 Hz |
| Resistive | See Model Chart |
| Inductive | See Model Chart |
| Electronic Ballast | See Model Chart |
| Tungsten | See Model Chart |
| Pilot Duty | See Model Chart |
| Max Power Consumption | 3 W |
| Operating Temperature | -40°F - 130°F (-40°C - 54°C) |
| Warranty | 1-Year limited |

ACCESSORIES

For accessories and replacement parts please see page 184-185.

24-Hour Mechanical Time Switch in Enclosure

T100 SERIES

Heavy-duty mechanical time switches control a single load. Highest HP ratings in the industry for loads up to 40 amps, providing direct 24 hr. control of most loads.

Applications

- Heater Thermostat Control - Motor Control - Pump Control

Features

- Highest motor load ratings in the industry
- Minimum ON/OFF times of 1 hour
- Up to 12 ON/OFF operations per day
- One ON and one OFF tripper included
- Available with pool heater protection
- Teeter-type terminals for multiple load connections



T104P3



T104R3

| Model # | Switch Type | Input Voltage | Electronic Ballast | Inductive | Resistive (Heater) | Tungsten (Incandescent) | Pilot Duty | Enclosure |
|---------------------------------------|-------------|--------------------|--------------------|--------------------------|--------------------------|--------------------------|-----------------------------|----------------------------|
| Without Pool Heater Protection | | | | | | | | |
| T101P3 | SPST | 120 VAC, 60 Hz | 16 A, 120 VAC | 40 A, 120-240 VAC, 60 Hz | 40 A, 120-240 VAC, 60 Hz | 40 A, 120-240 VAC, 60 Hz | 1000 VA, 120-240 VAC, 60 Hz | Outdoor type 3R plastic |
| T104P3 | DPST | 208-277 VAC, 60 Hz | 16 A, 120-277 VAC | 40 A, 120-277 VAC, 60 Hz | 40 A, 120-480 VAC, 60 Hz | 40 A, 120-277 VAC, 60 Hz | 1000 VA, 120-277 VAC, 60 Hz | |
| T106P3 | 1 NO/1 NC | 208-277 VAC, 60 Hz | 16 A, 208-277 VAC | 40 A, 120-240 VAC, 60 Hz | 40 A, 120-240 VAC, 60 Hz | 40 A, 120-240 VAC, 60 Hz | 1000 VA, 120-240 VAC, 60 Hz | |
| T101R3 | SPST | 120 VAC, 60 Hz | 16 A, 120 VAC | 40 A, 120-240 VAC, 60 Hz | 40 A, 120-240 VAC, 60 Hz | 40 A, 120-240 VAC, 60 Hz | 1000 VA, 120-240 VAC, 60 Hz | Outdoor type 3R metal |
| T104R3 | DPST | 208-277 VAC, 60 Hz | 16 A, 120-277 VAC | 40 A, 120-277 VAC, 60 Hz | 40 A, 120-480 VAC, 60 Hz | 40 A, 120-277 VAC, 60 Hz | 1000 VA, 120-277 VAC, 60 Hz | |
| With Pool Heater Protection | | | | | | | | |
| T101P201 | SPST | 120 VAC, 60 Hz | 16 A, 120 VAC | 40 A, 120-480 VAC, 60 Hz | 40 A, 120-480 VAC, 60 Hz | 40 A, 120-480 VAC, 60 Hz | 1000 VA, 120-480 VAC, 60 Hz | Outdoor type 3R plastic |
| T104P201 | DPST | 208-277 VAC, 60 Hz | 16 A, 120-277 VAC | 40 A, 120-277 VAC, 60 Hz | 40 A, 120-480 VAC, 60 Hz | 40 A, 120-277 VAC, 60 Hz | 1000 VA, 120-277 VAC, 60 Hz | |
| T101R201 | SPST | 120 VAC, 60 Hz | 16 A, 120 VAC | 40 A, 120-240 VAC, 60 Hz | 40 A, 120-240 VAC, 60 Hz | 40 A, 120-240 VAC, 60 Hz | 1000 VA, 120-240 VAC, 60 Hz | Outdoor type 3R metal |
| T104R201 | DPST | 208-277 VAC, 60 Hz | 16 A, 120-277 VAC | 40 A, 120-277 VAC, 60 Hz | 40 A, 120-480 VAC, 60 Hz | 40 A, 120-277 VAC, 60 Hz | 1000 VA, 120-277 VAC, 60 Hz | |

Note: The heater protection switch (fireman switch) is closed when the time switch contacts are open to allow remote operation of the heater. A flow or pressure switch therefore must always be part of the heater control circuit.



| Ratings | |
|---|---|
| Motor | 2 HP, 24 FLA @ 120 VAC, 60 Hz, 5 HP, 28 FLA @ 240 VAC, 60 Hz |
| Heater Control Circuit | 10 A, 250 VAC MAX, 60 Hz |
| Resistive | See Model Chart |
| Inductive Ballast | See Model Chart |
| Electronic Ballast | See Model Chart |
| Tungsten | See Model Chart |
| Pilot Duty | See Model Chart |
| Max Power Consumption | 3 W |
| Operating Temperature | -40°F - 130°F (-40°C - 54°C) |
| Enclosure Dims (H x W x D) Plastic Outdoor Metal Indoor | 10" x 6.5" x 4" (254 mm x 165.1 mm x 101.6 mm) 10.125" x 6.5" x 3.625" (257.2 mm x 165.1 mm x 92.1 mm) |
| Knockout Dimensions | |
| Bottom | (2) ½" and ¾" |
| Left | (1) combination ½" and ¾" |
| Right | (1) combination ½" and ¾" |
| Back | (1) combination ½" and ¾" |
| Warranty | 1-Year limited |

ACCESSORIES

For accessories and replacement parts please see page 184-185.

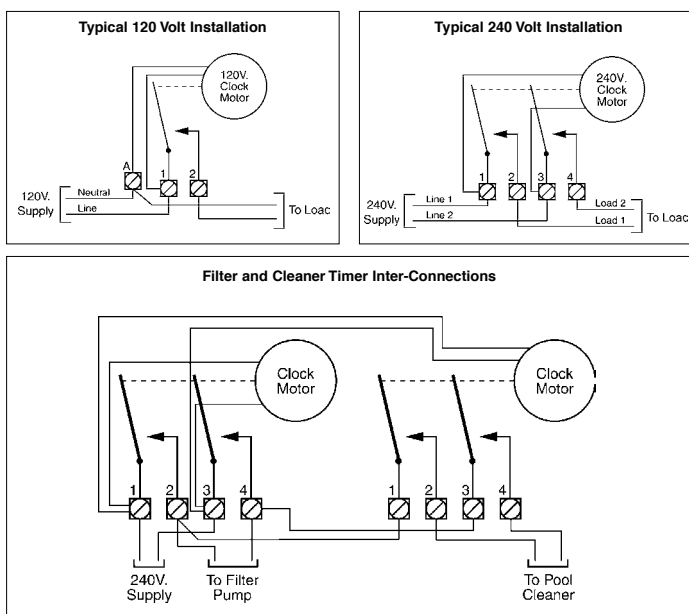


TI0004R



TI0604R
Control 2 speed pumps

WIRING DIAGRAMS



NOTES: 1. Grounding connections are not shown but must be provided. Refer to the National Electrical Code for details.
2. Diagrams above are only two of the many variations this Panel can accommodate.

Control System with Type 3R Power Center
TI0000R SERIES

The TI0000R Series Control Centers feature an all-weather enclosure and can contain control center only, one or two heavy duty timer mechanisms.

Applications

- Distribution/Control Panel • Motor Control • Pump Control

Features

- Available with one or two heavy-duty time switch mechanisms
- Accepts PF1000M, P1403ME, P1353ME, P4043ME, P4243ME, T100M OR RC2000M Series mechanisms
- Load center dead front has two knockouts for switches or GFCIs and one on the side
- Wiring devices may be installed in these load centers with the use of Standoffs, sold separately (21T156A and 21T166A)
- Control two-speed pumps with the TI0604R
- Electrostatically applied light beige finish.

| Model # | Mechanism | Switch Type | Mechanism Supply Voltage |
|----------|-------------------|-------------|--------------------------|
| TI0000R | Power Center Only | - | - |
| TI0004R | (1) TI04M | DPST | 208-277 VAC, 60 Hz |
| TI0006R | (1) TI06M | 1 NO/1 NC | 208-277 VAC, 60 Hz |
| TI0101R | (2) TI01M | SPST | 120/120 VAC, 60 Hz |
| TI0404R | (2) TI04M | DPST | 208-277 VAC, 60 Hz |
| TI0604R | TI06M & TI04M | SPDT/DPST | 208-277 VAC, 60 Hz |
| TI2404R* | TI04M201 & TI04M | DPST | 208-277 VAC, 60 Hz |

* The heater protection switch (fireman switch) is closed when the time switch contacts are open to allow remote operation of the heater. A flow or pressure switch therefore must always be part of the heater control circuit.



| Ratings | |
|-----------------------------------|--|
| Center Rating | 92 Amp per leg, 168 Amp Max. 120-240 VAC or 120-208 VAC single phase - 60 Hz |
| Resistive | 30 A, 120-240 VAC, 60 Hz |
| Inductive | 30 A, 120-240 VAC, 60 Hz |
| Tungsten | 30 A, 120-240 VAC, 60 Hz |
| Pilot Duty | 1000 VA, 120-240 VAC, 60 Hz |
| Max Power Consumption | 3 W |
| Motor | 2 HP, 24 FLA @ 120 VAC, 60 Hz, 5 HP, 28 FLA @ 240 VAC, 60 Hz |
| Operating Temperature | -40°F - 130°F (-40°C - 54°C) |
| Enclosure Dimensions H x W x D | 12.875" x 10.875" x 4.75" (327 mm x 276.2 mm x 120.7 mm) |
| Knockout Dimensions | |
| Bottom | (5) combination 1/2" - 3/4" and (2) combination 3/4" - 1" |
| Left | (1) combination 1/2" - 3/4" |
| Right | (1) 1 3/4" x 2 3/4" for mounting switches or GFCI |
| Back | (1) combination 1/2" - 3/4" and (1) 3/4" - 1" |
| Warranty | 1-Year limited |

ACCESSORIES

For accessories and replacement parts please see page 184-185.

60 A Control System with Type 3R Load Center T21000R SERIES

The T20000R Series load center panels feature an all-weather enclosure and contain a 4 circuit breaker base, an equipment grounding bar and can contain load center only or a heavy duty timer mechanisms. The circuit breaker base accepts interchangeable type breakers made by a number of different manufacturers.

Applications

- Distribution/Control Panel • Motor Control • Pump Control

Features

- Four breaker spaces
- Accepts PFI000M, P1403ME, P1353ME, P4043ME, P4243ME, T100M or RC2000M Series mechanisms
- Accepts many interchangeable type breakers made by a number of different manufacturers
- Load center dead front has two knockouts for switches or GFCIs and one on the side
- Wiring devices may be installed in these Load Centers with the use of Standoffs, sold separately

| Model # | Mechanism | Switch Type | Mechanism Supply Voltage |
|---------|------------------|-------------|--------------------------|
| T21000R | Load Center Only | - | - |
| T21001R | T101M | SPST | 120 VAC, 60 Hz |
| T21004R | T104M | DPST | 208-277 VAC, 60 Hz |



| Ratings | |
|------------------------------|--|
| Load Center Rating | 60 A, 120/240 VAC or 120/208 VAC, Single Phase |
| Resistive | 30 A, 120-240 VAC, 60 Hz |
| Inductive | 30 A, 120-240 VAC, 60 Hz |
| Tungsten | 30 A, 120-240 VAC, 60 Hz |
| Pilot Duty | 1000 VA, 120-240 VAC, 60 Hz |
| Motor | 2 HP, 24 FLA @ 120 VAC, 60 Hz, 5 HP, 28 FLA @ 240 VAC, 60 Hz |
| Operating Temperature | -40°F - 130°F (-40°C - 54°C) |
| Dimensions H x W x D | 16.875" x 8.875" x 4.75" (428.6 mm x 225.4 mm x 120.7 mm) |
| Knockout Dimensions | |
| Bottom | (5) combination 1/2" - 3/4" and (3) combination 3/4" - 1" |
| Left | (1) combination 1/2" - 3/4" |
| Right | (1) 1 3/4" x 2 3/4" for mounting switches or GFCI |
| Back | (1) combination 1/2" - 3/4" and (1) 3/4" - 1" |
| Warranty | 1-Year limited |

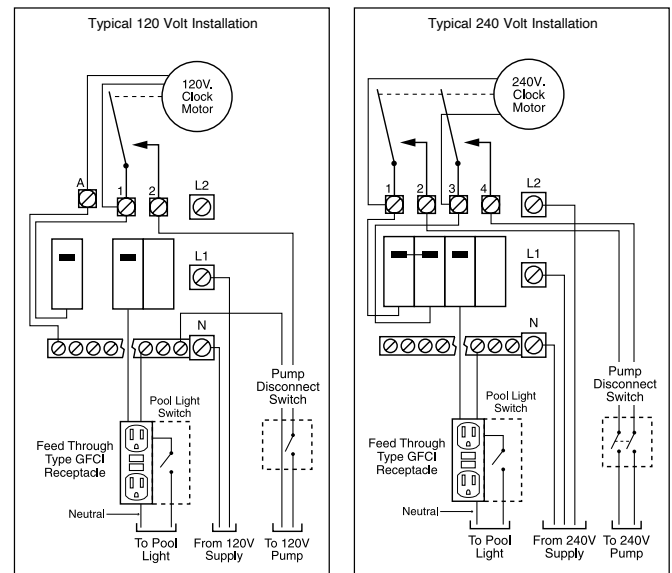


T21000R



T21001R

WIRING DIAGRAMS



NOTES: 1. Grounding connections are not shown but must be provided. Refer to the National Electrical Code for details. 2. Diagrams above are only two of the many variations this Panel can accommodate.

ACCESSORIES

For accessories and replacement parts please see page 184-185.

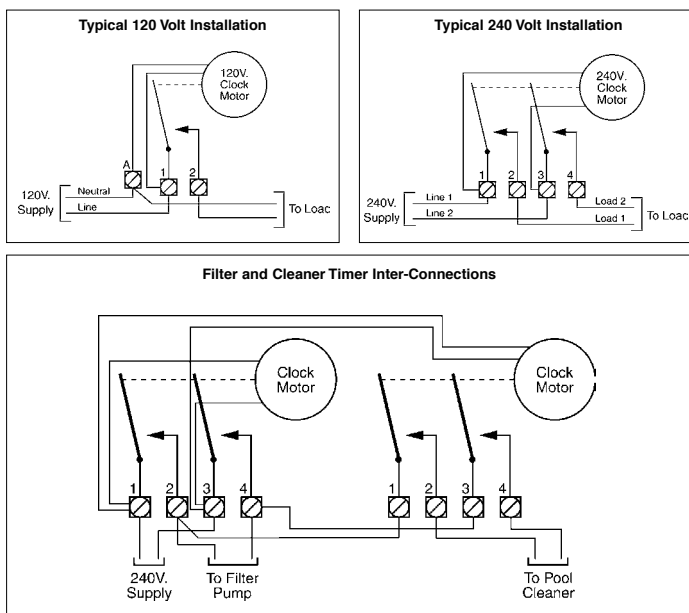


T30004R



T30604R
Control 2 speed pumps

WIRING DIAGRAMS



NOTES: 1. Grounding connections are not shown but must be provided. Refer to the National Electrical Code for details. 2. Diagrams above are only two of the many variations this Panel can accommodate.

100 A Control System with Type 3R Load Center
T30000R SERIES

Can be used as a load center only, or add mechanisms or wiring devices for complete control systems.

Applications

- Distribution/Control Panel - Motor Control - Pump Control

Features

- Eight breaker spaces
- Reduces installation costs
- Eliminates the need for additional service panels
- Accepts PF1000M, P1403ME, P1353ME, P4043ME, P4243ME, T100M OR RC2000M Series mechanisms
- Control two-speed pumps with the T30604R
- Fully compatible with all electrical requirements for pool/spa installations
- Load center dead front has two knockouts and one on the side for switches or GFCIs
- Wiring devices may be installed in these load centers with the use of Standoffs, sold separately

| Model # | Mechanism | Switch Type | Mechanism Supply Voltage |
|----------|------------------|-------------|--------------------------|
| T30000R5 | Load Center Only | - | - |
| T30004R | (1) T104M | DPST | 240 VAC, 60 Hz |
| T30404R | (2) T104M | DPST/DPST | 240/240 VAC, 60 Hz |
| T30401R | T104M & T101M | DPST/SPST | 240/120 VAC, 60 Hz |
| T30604R | T106M & T104M | SPDT/DPST | 240/240 VAC, 60 Hz |
| T32404R* | T104M201 & T104M | DPST/DPST | 240/240 VAC, 60 Hz |

* The heater protection switch is closed when the time switch contacts are open to allow remote operation of heater. A flow or pressure switch must always be part of heater control circuit.



| Ratings | |
|-----------------------|--|
| Load Center Rating | 100 A, 120-240 VAC, Single Phase, 60 Hz |
| Resistive | 40 A, 120-240 VAC, 60 Hz |
| Inductive | 40 A, 120-240 VAC, 60 Hz |
| Tungsten | 40 A, 120-240 VAC, 60 Hz |
| Pilot Duty | 1000 VA, 120-240 VAC, 60 Hz |
| Motor | 2 HP, 24 FLA @ 120 VAC, 60 Hz, 5 HP, 28 FLA @ 240 VAC, 60 Hz |
| Dimensions H x W x D | 16.875" x 10.875" x 4.75" (428.6 mm x 276.2 mm x 120.7 mm) |
| Operating Temperature | -40°F - 130°F (-40°C - 54°C) |
| Knockouts | Bottom (3) ½" (4) combination ½" - ¾" and (2) combination ¾" - 1" Left (1) combination ¾" - 1" Right (1) 1 ¾" x 2 ¾" for mounting switches and GFCI Back (4) ½" and (3) combination ½" - ¾" |
| Warranty | 1-Year limited |

ACCESSORIES

For accessories and replacement parts please see page 184-185.

125 A Control System with Type 3R Load Center T4000R SERIES

Can be used as a Load Center only, or add mechanisms or wiring devices for complete control systems.

Applications

- Distribution/Control Panel

Features

- Eight breaker spaces
- Reduces installation costs
- All-in-one electrical load center eliminates the need for additional service panels
- Accepts any combination of PF1000M Series, P1403ME, P1353ME, P4043ME, P4243ME, T100M Series or RC2000M Series mechanisms
- Fully compatible with all electrical requirements for pool/spa installations
- Load center dead front has four knockouts for switches or GFCIs (Note: T4000R4 has one knockout)
- Wiring devices may be installed in these Load Centers with the use of Standoffs, sold separately



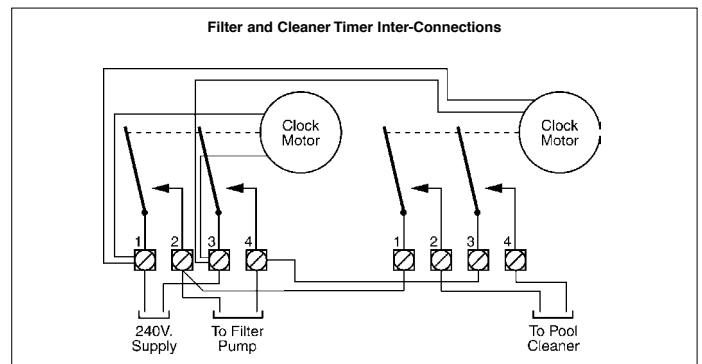
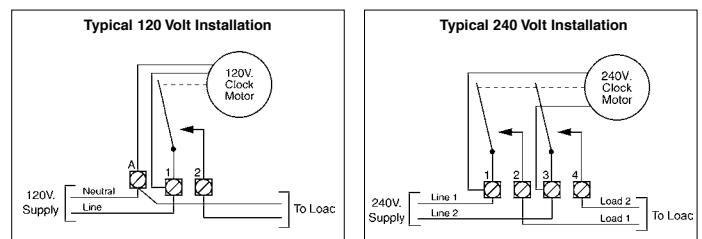
T40004R

| Model # | Mechanism(s) | Switch Type | Mechanism Supply Voltage |
|---------|--|-------------|--------------------------|
| T40004R | (1) T104M | DPST | 240 VAC, 60 Hz |
| T40404R | (2) T104M | DPST | 240 VAC, 60 Hz |
| T4000R4 | Load Center with Compartment for Optional Wiring Devices | - | - |



| Ratings | |
|---|--|
| Load Center Rating | 125 A MAX, 120-240 VAC, Single Phase, 60 Hz |
| Resistive | 40 A, 120-240 VAC, 60 Hz |
| Inductive | 40 A, 120-240 VAC, 60 Hz |
| Tungsten | 40 A, 120-240 VAC, 60 Hz |
| Pilot Duty | 1000 VA, 120-240 VAC, 60 Hz |
| Motor | 2 HP, 24 FLA @ 120 VAC, 60 Hz, 5 HP, 28 FLA @ 240 VAC, 60 Hz |
| Operating Temperature | -40°F - 130°F (-40°C - 54°C) |
| Enclosure Dimensions H x W x D | 20.875" x 12.875" x 4.75" (530.2 mm x 327 mm x 120.7 mm) |
| Knockout Dimensions | |
| Bottom | (5) ½" - ¾", (4) ½", (2) ¾" - 1", 1 ¼" |
| Left | (2) ½" - ¾" |
| Right | (1) 1 ¼" x 2 ¾" for mounting switches and GFCI |
| Back | (4) ½" - ¾", (2) 3/4" - 1" |
| Warranty | 1-Year limited |

WIRING DIAGRAMS



NOTES: 1. Grounding connections are not shown but must be provided. Refer to the National Electrical Code for details. 2. Diagrams above are only two of the many variations this Panel can accommodate.

ACCESSORIES

For accessories and replacement parts please see page 184-185.



Protect Expensive Pool Equipment with the **PS3000 SPD + Load Center**

Even the best laid plans for pool season can be sunk in an instant when an unexpected power surge occurs. Without the right surge protection device in place, transients and voltage surges can damage expensive pool equipment, keeping homeowners out of the water and holding the bill for costly maintenance.

But there's a simple way to prevent disaster in the upcoming pool season.

Ideal for Retrofits and New Construction

Designed for simple installation in a variety of settings, the PS3000 can be quickly wired into pool and spa breaker/automation panels or existing home electrical service panels for complete protection of all downstream equipment.

PS3000 units can also be paired with an Intermatic Load Center for added convenience and functionality. This is typically done in new pool builds, with the Load Center serving as the protecting central hub for connected pool and spa equipment.

Load Center



PS3000 SPD*



Common PS3000 Applications:

- Pool and spa LED lighting
- Gas and electric high-efficiency heaters
- Single and variable speed pool pumps
- Pool automation systems
- Water feature pumps
- Chlorinators
- Suction cleaners
- Stereo and speaker systems
- Portable hot tubs

* See page 181 for product information

Control System with Transformer and Power or Load Center

MECHANICAL CONTROLS

These mechanical control systems include built-in transformers for ease of installation.

Applications

- Distribution/Control Panel • Landscape Lighting • Motor Control • Pump Control • Underwater Lighting

Features

- All-in-one control power for pool/spa installation
- Easy to wire
- Can house additional Intermatic mechanisms and components
- Control two-speed pumps with the T40604RT3
- Heavy-duty Type 3R metal indoor/outdoor power and load center
- Wiring devices may be installed in these Load Centers with the use of Standoffs, sold separately
- Knockout on the side for additional wiring device

| Model # | Description | Mechanism Supply Voltage | Transformer | | |
|--|---|--------------------------|-------------|---------------------|----------------|
| | | | Watts | Input Voltage | Output Voltage |
| Power Center | | | | | |
| T10004RT1 | Control Panel with 100 W Transformer and T104M Mechanism | 240 VAC, 60 Hz | 100 | 1 A, 120 VAC, 60 Hz | 12, 13, 14 VAC |
| T10004RT3 | Control Panel with 300 W Transformer and T104M Mechanism | 240 VAC, 60 Hz | 300 | 3 A, 120 VAC, 60 Hz | 12, 13, 14 VAC |
| Load Center with Eight Breaker Spaces | | | | | |
| T40000RT3 | 100 A Load Center Only with 300 W Transformer, 8-Breaker Spaces | - | 300 | - | - |
| T40003RT3 | 100 A Load Center with 300 W Transformer and T103M Mechanism, 8-Breaker Spaces | 120 VAC, 60 Hz | 300 | 3 A, 120 VAC, 60 Hz | 12, 13, 14 VAC |
| T40004RT1 | 100 A Load Center with 100 W Transformer and T104M Mechanism, 8-Breaker Spaces | 240 VAC, 60 Hz | 100 | 1 A, 120 VAC, 60 Hz | 12, 13, 14 VAC |
| T40004RT3 | 100 A Load Center with 300 W Transformer and T104M Mechanism, 8-Breaker Spaces | 240 VAC, 60 Hz | 300 | 3 A, 120 VAC, 60 Hz | 12, 13, 14 VAC |
| T40604RT3 | 100 A Load Center with 300 W Transformer and T104M & T106M Mechanisms, 8-Breaker Spaces | 240 VAC, 60 Hz | 300 | 3 A, 120 VAC, 60 Hz | 12, 13, 14 VAC |



T10004RT1



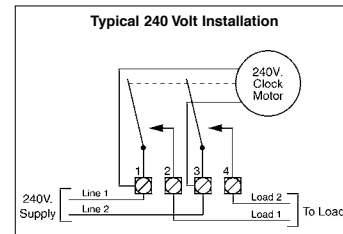
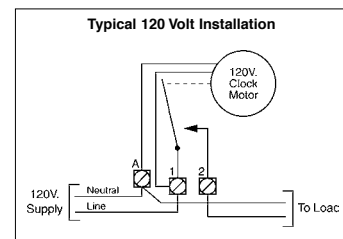
T40000RT3



| Ratings | |
|------------------------------|--|
| Power Center Rating | 120-240 VAC, 60 Hz single-phase |
| Load Center Rating | 100 A, 120-240 VAC, Single Phase, 60 Hz |
| Switch Type | DPST |
| T40604RT3 | 1 NO/1 NC, DPST |
| Resistive | 40 A, 120-240 VAC, 60 Hz |
| Inductive Ballast | 40 A, 120-240 VAC, 60 Hz |
| Tungsten | 40 A, 120-240 VAC, 60 Hz |
| Pilot Duty | 1000 VA, 120-240 VAC, 60 Hz |
| Motor | 2 HP, 24 FLA @ 120 VAC, 60 Hz, 5 HP, 28 FLA @ 240 VAC, 60 Hz |
| Operating Temperature | -40°F - 130°F (-40°C - 54°C) |
| Warranty | 1-Year limited |

| Dimensions | |
|---------------------------------|---|
| Power Center H x W x D | 12.875" x 12.875" x 4.75" (327 mm x 327 mm x 120.7 mm) |
| Load Center H x W x D | 20.875" x 12.875" x 4.75" (530.2 mm x 327 mm x 120.7 mm) |
| Knockouts T10000R Series | |
| Bottom | (5) 3/8" - 1 1/8", (2) 1/2", (2) 1 1/8" - 1 3/8" |
| Left | (1) 3/8" - 1 1/8" |
| Right | (1) 1 3/4" x 2 3/4" for mounting switches and GFCI |
| Back | (1) 3/8" - 1 1/8", (1) 1 1/8" - 1 3/8" |
| Knockouts T40000R Series | |
| Bottom | (5) 3/8" - 1 1/8", (4) 1/2", (2) 1 1/8" - 1 3/8" |
| Left | (2) 3/8" - 1 1/8" |
| Right | (1) 1 3/4" x 2 3/4" for mounting switches and GFCI |
| Back | (4) 3/8" - 1 1/8", (2) 1 1/8" - 1 3/8" |

WIRING DIAGRAMS



NOTES: 1. Grounding connections are not shown but must be provided. Refer to the National Electrical Code for details. 2. Diagrams above are only two of the many variations this Panel can accommodate.

ACCESSORIES

For accessories and replacement parts please see page 184-185.

Align Equipment to Pool Needs with a **Next Generation Load Center Panel**

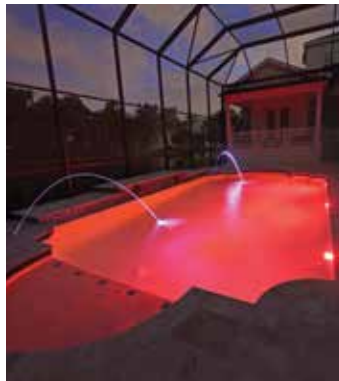


It's no surprise that the average pool setup integrates more technology than the backyards of past generations. From filters and heaters to variable speed pumps and nicheless LED lights, there is more equipment than ever connected to the average pool pad.

By combining the most versatile busbar design in the business with built-in safety transformer functionality, new Intermatic load center panels allow professionals to connect multiple pieces of pool equipment and an array of low-voltage underwater lights with ease. Unlike our standard panels, our next-gen panels are timer-less, making them an ideal choice for new construction projects.

From the outside, these new solutions blend right in. They feature a familiar dead front design and the same powder coat paint and color utilized in previous pool panel offerings.

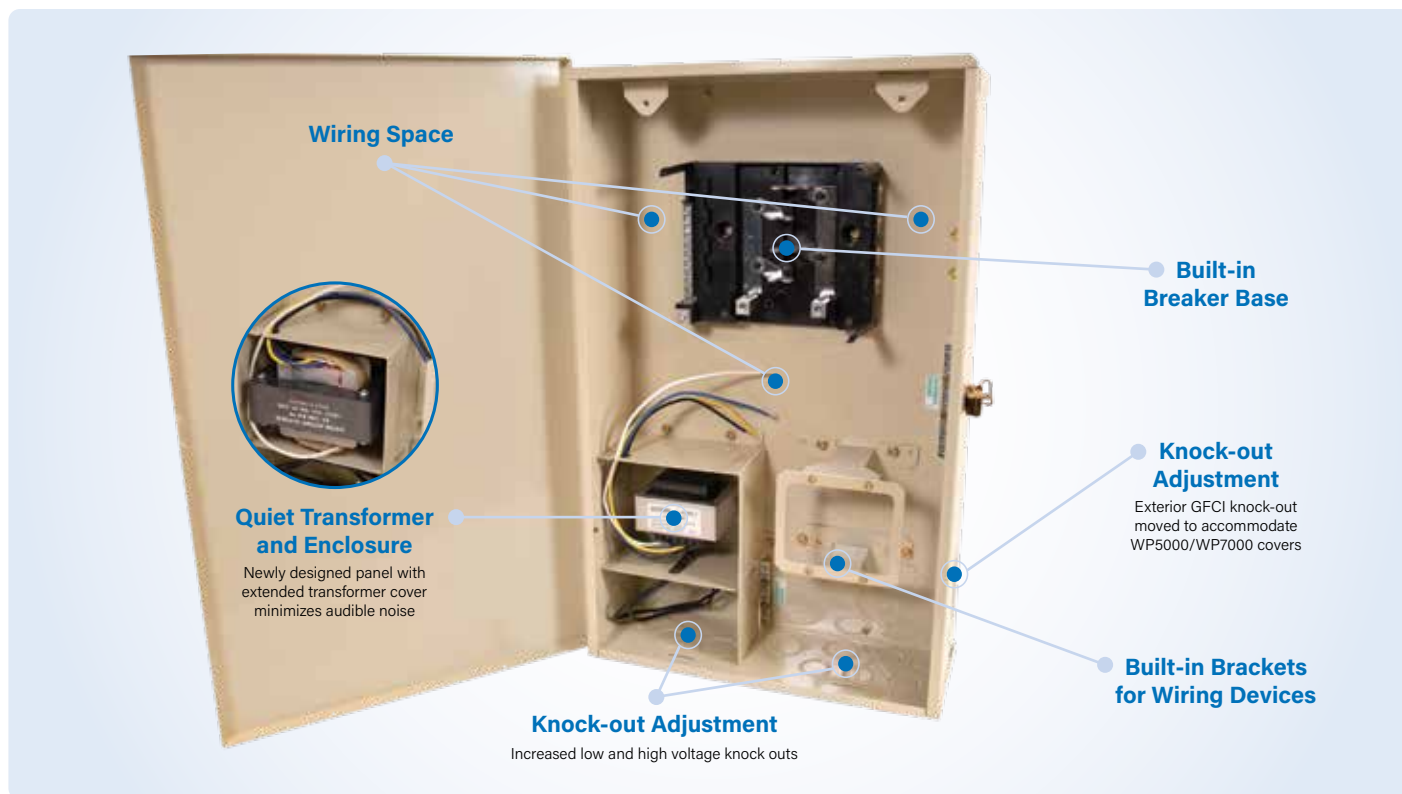
Our next gen panels are designed for pool only applications that do not require a time clock provision which allows for more internal wiring space. These new panels offer reduced audible noise (in transformer versions) and come with device mounting brackets for switch/GFCI provisions. Updated side knockouts also accommodate larger in-use receptacle weatherproof covers for added convenience.



Next Generation Load Centers Simple solutions for simple pools.

Need a solution for a basic pool with a variable speed pump?
Look no further than the Intermatic next generation load center.

Tackle any pool project with the next generation Intermatic load centers. Designed versatility and ease of installation, these panels are built specifically for pool systems. They're the ideal choice for connecting underwater luminaires and essential pool equipment.



| Model Number | Description | Transformer | | |
|--------------|--|-------------|------------------|----------------|
| | | Watts | Input Voltage | Output Voltage |
| P4000R5 | 125 Amp load center only | - | - | - |
| P4000RTI | 100 Amp load center only with 100 Watt transformer | 100 | 1 A 120 VAC 60Hz | 12, 13, 14 VAC |
| P4000RT3 | 100 Amp load center only with 300 Watt transformer | 300 | 3 A 120 VAC 60Hz | 12, 13, 14 VAC |

| Ratings | |
|------------------------------|--|
| Load Center Rating | |
| P4000R5 | 125 A, 120-240 VAC |
| P4000RTI & P4000RT3 | 100 A, 120-240 VAC |
| Enclosure Type | Outdoor Type 3R Metal |
| Operating Temperature | -40°F - 130°F (-40°C - 54°C) |
| Knockouts | |
| Bottom | (1) 1" - 1-1/4", (2) 3/4" - 1", (6) 1/2" - 3/4" |
| Left | (2) 1/2" - 3/4" |
| Right | (1) 1-3/4" x 2 - 3/4" for mounting switches and GFCI |
| Back | (1) 3/4" - 1", (2) 1/2" - 3/4" |
| Warranty | 1-Year limited |

LIKE TO KNOW MORE?

Scan the QR code to the right for a variety of helpful resources, including sell sheets, product instructions, installation videos and more.





PX50



PX100S



PX300



PX600S

Safety Transformers

PX SERIES

These safety transformers are specifically designed to supply 12-14 VAC and are suitable for direct connection to underwater pool/spa lights. A grounded shield between the primary and secondary winding assures safe operation. Built-in circuit protection will disconnect power to the transformer in case of an overload.

Applications

- Landscape Lighting - Underwater Lighting

Features

- Mounting brackets on the top and bottom
- Built-in circuit protection disconnects power temporarily in case of overload*
- Complies with NEC Code 680.23 requirements for underwater luminaries
- Stainless steel options for quiet audible sound levels.

| Model # | Input Voltage | Output Voltages | Watts |
|---------------------------|----------------------|------------------------|-------|
| 3R Beige Metal | | | |
| PX50 | .5 A, 120 VAC, 60 Hz | 12 VAC, 13 VAC, 14 VAC | 50 W |
| PX100 | 1 A, 120 VAC, 60 Hz | | 100 W |
| PX300 | 3 A, 120 VAC, 60 Hz | | 300 W |
| PX600 | 6 A, 120 VAC, 60 Hz | | 600 W |
| 3R Stainless Steel | | | |
| PX50S | .5 A, 120 VAC, 60 Hz | 12 VAC, 13 VAC, 14 VAC | 50 W |
| PX100S | 1 A, 120 VAC, 60 Hz | | 100 W |
| PX300S | 3 A, 120 VAC, 60 Hz | | 300 W |
| PX600S | 6 A, 120 VAC, 60 Hz | | 600 W |

*Disconnection is not permanent; the transformer is equipped with a thermal protector. The circuit will "re-energize" when the transformer cools.



| Ratings PX50, 100, 300 | |
|---|--|
| Enclosure Dimensions H x W x D | 7.25" x 5.25" x 4.5" (184.2 mm x 133 mm x 114.3 mm) |
| Knockout Dimensions | |
| Bottom | (4) combination 1/2" - 3/4" |
| Left | (2) combination 1/2" - 3/4" |
| Right | (2) combination 1/2" - 3/4" |
| Back | (2) combination 1/2" - 3/4" |
| Warranty | 1-Year limited |



| Ratings PX600 (PX600S) | |
|---|--|
| Enclosure Dimensions H x W x D | 10" x 10" x 5.375" (254 mm x 254 mm x 136.5 mm) |
| Knockout Dimensions | |
| Bottom | (2) combination 1/2" - 3/4", (4) combination 3/4" - 1" |
| Left | (2) combination 1/2" - 3/4" |
| Right | (2) combination 1/2" - 3/4" |
| Back | (2) combination 1/2" - 3/4" |
| Warranty | 1-Year limited |

Why Choose PX Series Safety Transformers?

Though similar products can share the same basic look and functionality, what's under the surface makes all the difference when it comes to reliability and value. For example, installing high-performance safety transformers can help streamline installations and ensure consistency from one season to the next, whereas an inferior solution can cause delays and maintenance headaches.

Intermatic safety transformers, such as the PX100, PX300 and COMBOConnect® Junction Box Transformer, are manufactured in an ISO-certified facility that includes more than 40 on-site specialty engineers and offer unique features that help them stand out in a crowded field.

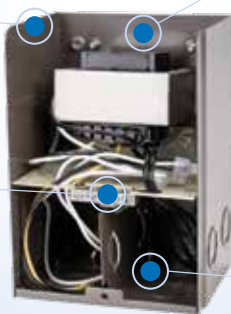
Designed for High-Performance, Built to Last

Super Quiet Stainless Steel

Non-magnetic Stainless steel reduces audible hum in low-voltage lighting applications

Automatic Breaker Reset

Built-in circuit protection will disconnect power to the transformer in case of defect or overload



PX100S

Premium Construction

Manufactured in an ISO-certified facility that includes more than 40 on-site specialty engineers

Wiring Flexibility

Extra space within the enclosure simplifies installations



PJBX52100

COMBOConnect®

PJBX52100

The COMBOConnect® solution combines the simplicity of a standard connection box with the power of a low-voltage transformer of 100 W.

Applications

- Landscape Lighting • Underwater Lighting

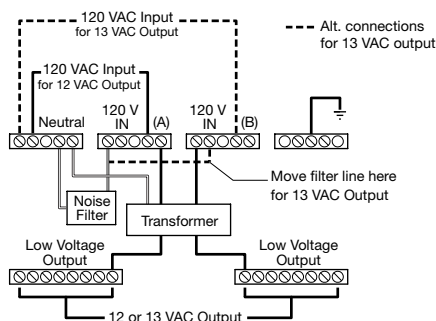
Features

- Patented design that combines a standard junction box with a built-in transformer
- Two high-voltage openings (one for inlet power, one to daisy chain to other j-boxes), five low-voltage openings (one more than typical larger junction boxes to better accommodate nicheless lights)
- Includes built-in 100 W safety transformer; Built-in electronic noise reduction
- Unit is 20 percent smaller than standard junction box and transformer components
- Connections are designed to be easily accessible
- Uses insulated terminals for wiring connections
- Mount via wall, post or rod (PAT19 mounting bracket sold separately.)
- Complies with NEC Code 680.24 requirements for junction boxes and per NEC 411 for low-voltage landscape lighting
- 1-year warranty



| Model Number | Light Connections | Mounting Options | Dimensions H x W x D |
|--------------|-------------------|--------------------------|--|
| PJBX52100 | 5 | Bracket, Post, Rod, Wall | 5" x 8" x 6" (127 mm x 203.2 mm x 152.4 mm) |

WIRING LOCATIONS



PJB2175



PJB4175

Pool/Spa Light Junction Boxes

PJB SERIES

These polymeric junction boxes are code compliant and provide safe, reliable connections for low-voltage lights. Specially designed for pools, pool-spa combinations, and landscape applications. Junction boxes are for outdoor use only.

Applications

- Landscape Lighting • Underwater Lighting

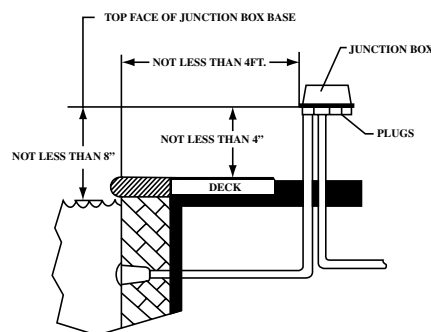
Features

- Accommodates flexible cords and non-metallic conduits from 1/2" to 1"
- Watertight, multi-fixture enclosure
- Easy access ground bar
- PAT14 Wall/Post Mounting Bracket (sold separately)
- Complies with NEC Code 680.24 requirements for junction boxes
- 1-year warranty



| Model Number | Light Connections | Mounting Options | Dimensions H x W x D |
|--------------|-------------------|--------------------------|---|
| PJB2175 | 2 | Bracket, Post, Rod, Wall | 7.25" x 3" x 4" (184.2 mm x 76.2 mm x 101.6 mm) |
| PJB4175 | 4 | | 8.75" x 5" x 4.625" (222.3 mm x 127 mm x 117.5 mm) |

INSTALLATION PJB2175 & PJB4175



ACCESSORIES

For accessories and replacement parts please see page 184-185.



PEI03



P1403ME

Electronic Pump Motor Controller with Seasonal Adjustment

PEI03

Control 1 or 2 speed pumps and 1 auxiliary load with this 3-circuit programmable device. The seasonal adjustment feature can be programmed to automatically adjust filter pump ON/OFF schedules according to the season.

Application

- Motor Control • Pump Control

Features

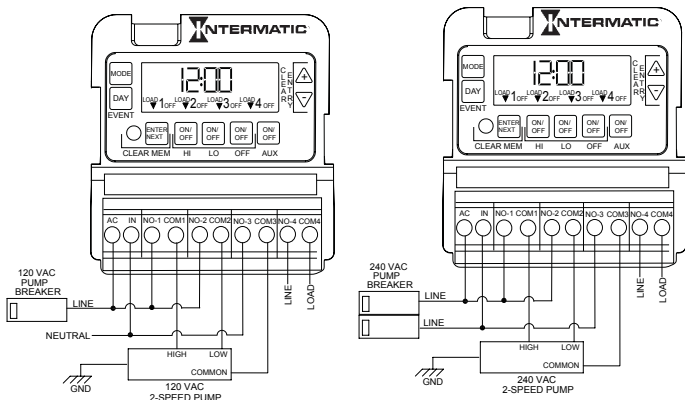
- Saves up to 40% in monthly utility bills compared to standard timers
- Meets most rebate incentives
- Enables separate daily schedules
- Easy-to-follow on-screen setup for programming
- DST adjustment included
- Auto-voltage adjust
- Efficient low-speed operation for all seasons
- User programmable high and low-speed events
- 100+ hour supercapacitor memory retention
- Available with Type 3R indoor/outdoor lockable metal enclosure

| Model # | Description |
|---------|---|
| PEI03 | Electronic Pump Motor Controller with Seasonal Adjustment, 4-Circuit, Type 3R Metal Enclosure |
| P1403ME | Electronic Pump Motor Controller with Seasonal Adjustment, 4-Circuit, Mechanism Only |

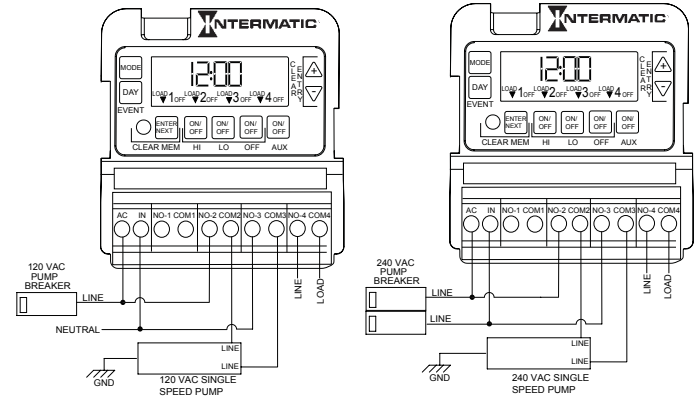


| Ratings | |
|-----------------------|---|
| Input Voltage | 120-277 VAC, 50/60 Hz |
| Max ON/OFF Operations | 3 |
| Number Of Circuits | 3 |
| Max Power Consumption | 7 W |
| Switch Type | 4-SPST |
| Resistive | 30 A @ 24 VAC, 120-277 VAC, 50/60 Hz; 20 A @ 28 VDC |
| Inductive | 30 A @ 24 VAC, 120-277 VAC, 50/60 Hz |
| Tungsten | 5 A @ 120-277 VAC, 50/60 Hz |
| Motor | 16 FLA, 96 LRA @ 120 VAC, 50/60 Hz; 17 FLA, 80 LRA @ 240 VAC, 50/60 Hz |
| Warranty | 1-Year limited |

2-SPEED PUMP WIRING DIAGRAMS



SINGLE SPEED PUMP WIRING DIAGRAMS



Digital 3-Circuit Time Switch P153 SERIES

This multipurpose 24-hour control is capable of automatically switching loads according to a preset daily schedule. Controls single- and two-speed pumps and cleaner/booster pumps. Three ON/OFF events per circuit per day.

Applications

- Motor Control • Pump Control Protection

Features

- Controls single- and two-speed pumps and cleaner/booster pumps
- Three ON/OFF events per circuit per day
- Seven preprogrammed modes, see chart below for details
- Freeze and heater protection
- LCD readout
- Multivoltage input and output
- Countdown and override features enable programs to be overridden and automatically resumed without requiring the user to reprogram the system

| Model # | Description |
|---------|--|
| PI353ME | 24-Hour Time Control, 3-Circuit, Mechanism Only |
| PEI53 | 24-Hour Electronic Time Control, 3-Circuit, Type 3R Metal Enclosure |
| PEI53F | 24-Hour Electronic Time Control, 3-Circuit, Freeze Protection Probe, Type 3R Metal Enclosure |
| PEI53P | 24-Hour Electronic Time Control, 3-Circuit, Type 3R Plastic Enclosure |
| PEI53PF | 24-Hour Electronic Time Control, 3-Circuit, Freeze Protection Probe, Type 3R Plastic Enclosure |



| Ratings | |
|---------------|--|
| Input Voltage | 120/240 VAC, 50/60 Hz |
| Switch Type | 3-SPST |
| Resistive | 17 A, 120/240 VAC, 50/60 Hz |
| Tungsten | 5 A, 120/240 VAC, 50/60 Hz |
| Motor | 80 LRA @ 120/240 VAC, 50/60 Hz; 17 FLA @ 120/240 VAC, 50/60 Hz |
| Warranty | 1-Year limited |

7 PREPROGRAMMED MODES

| Mode # | Switches Control | Additional Comments |
|--------|---|--|
| 1 | Aux 1, Aux 2, Aux 3 | — |
| 2 | Pump High, Pump Low, Aux 3 | 2-speed pump timing and protection |
| 3 | Pump, Aux 2, Booster/Cleaner Pump | Filter/cleaner pump timing and protection |
| 4 | Pump High, Pump Low, Booster/Cleaner Pump | 2-speed and filter/cleaner pump timing and protection |
| 5 | Pump L1, Pump L2, Aux 3 | 1st and 2nd switch controls a 240 VAC pump, where L1 and L2 are disconnected when the pump is OFF |
| 6 | Aux 1, Aux 2, Aux 3 Heater green mode | Identical to Mode 1, with capability to run a heater when the filter pump is manually turned ON only. This mode is ideal for connecting Circuit 1 to a circulation pump in a spa * |
| 7 | Pump High, Pump Low, Common Hot Leg | Identical to Mode 2, with the capability to break both hot lines of a 240 VAC two-speed pump connection |

* When spa is not in use, the clock does not turn the heater ON. When spa is in use, the heater can be activated by manually switching Circuit 1 ON



PEI53



PEI53PF



PI353ME

ACCESSORIES

For accessories and replacement parts please see page 184-185.



PE20000



PE25300F

60 A Pool/Spa Control System with Type 3R Load Center

PE20000 SERIES

This system can be used as a load center only, or add mechanisms or wiring devices for complete control systems.

Applications

- Distribution/Control Panel

Features

- Four breaker spaces
- 3-SPST mechanism (P1353ME) controls single- and two-speed filter pumps, cleaner/booster pumps and pool/spa landscape lighting
- Includes low voltage wiring compartment.
- Load center dead front has two knockouts for switches or GFCIs
- Wiring devices may be installed in these load centers with the use of Standoffs, sold separately
- Also compatible with T100 Series

| Model Number | Description |
|--------------|---|
| PE20000 | 60 A Load Center |
| PE25300F | 60 A Load Center with P1353ME Mechanism and Freeze Protection Probe |
| PE25300 | 60 A Load Center with P1353ME Mechanism |



| Ratings | |
|-----------------------------------|---|
| Input Voltage | 120/240 VAC, 50/60 Hz |
| Switch Type | 3-SPST |
| Resistive | 17 A, 120/240 VAC, 50/60 Hz |
| Tungsten | 5 A, 120/240 VAC, 50/60 Hz |
| Motor | 80 LRA @ 120/240 VAC, 50/60 Hz; 17 FLA @ 120/240 VAC, 50/60 Hz |
| Auxiliary Switch | 2 A, 24 VAC |
| Enclosure Dimensions H x W x D | 16.875" x 10.875" x 4.75" (428.6 mm x 276.2 mm x 120.7 mm) |
| Knockout Dimensions | See PE30000 Series Ratings |
| Warranty | 1-Year limited |



PE30000



PE35300

80 A Pool/Spa Control System with Type 3R Load Center

PE30000 SERIES

This system can be used as a load center only, or add mechanisms or wiring devices for complete control systems.

Applications

- Distribution/Control Panel

Features

- Eight breaker spaces
- 3-SPST mechanism (P1353ME) controls single and two-speed filter pumps, cleaner/booster pumps and pool/spa landscape lighting
- Includes low voltage wiring compartment.
- Load center dead front has four knockouts for switches or GFCIs
- Transformer option provides low-voltage for LED lights
- Wiring devices may be installed in these load centers with the use of Standoffs, sold separately
- Also compatible with T100 Series

| Model Number | Description |
|--------------|---|
| PE30000 | 80 A Load Center |
| PE30000T3 | 80 A Load Center with 300 W Transformer |
| PE35300 | 80 A Load Center with P1353ME Mechanism |



| Ratings | |
|-----------------------------------|---|
| Input Voltage | 120/240 VAC, 50/60 Hz |
| Switch Type | 3-SPST |
| Resistive | 17 A, 120/240 VAC, 50/60 Hz |
| Tungsten | 5 A, 120/240 VAC, 50/60 Hz |
| Motor | 80 LRA, 17 FLA @ 120/240 VAC, 50/60 Hz |
| Auxiliary Switch | 2 A, 24 VAC |
| Enclosure Dimensions H x W x D | 22.875" x 14.875" x 4.75" (581 mm x 377.8 mm x 120.7 mm) |
| Knockout Dimensions | |
| Bottom | (1) 1 1/8" diameter hole, (6) 1/2" - 3/4", (3) 3/4" - 1" |
| Left | (2) 1/2" - 3/4" |
| Right | (1) 1 3/4" x 2 3/4" |
| Back | (1) 3/4" - 1" |
| Warranty | 1-Year limited |

ACCESSORIES

For accessories and replacement parts please see page 184-185.

Remotely Operated Control System

RC2163BFE POOL/SPA COMBINATION CONTROL PANEL

This system controls Pool / Spa valve rotation, heater, single speed pump, and 120V blowers.

Applications

- Heater Thermostat Control • Motor Control • Pump Control

Features

- Eight breaker spaces
- Use spring wound timer, toggle switch, wireless receiver/transmitter to operate equipment
- 3-Wire heater control
- (2) PE24VA 24-V valve actuators included
- Heavy-duty Type 3R metal indoor/outdoor load center

| Model Number | Description |
|--------------|---|
| RC2163BFE | Pool/Spa Remotely Operated Combination Control System |

Note: Remote switch not included.

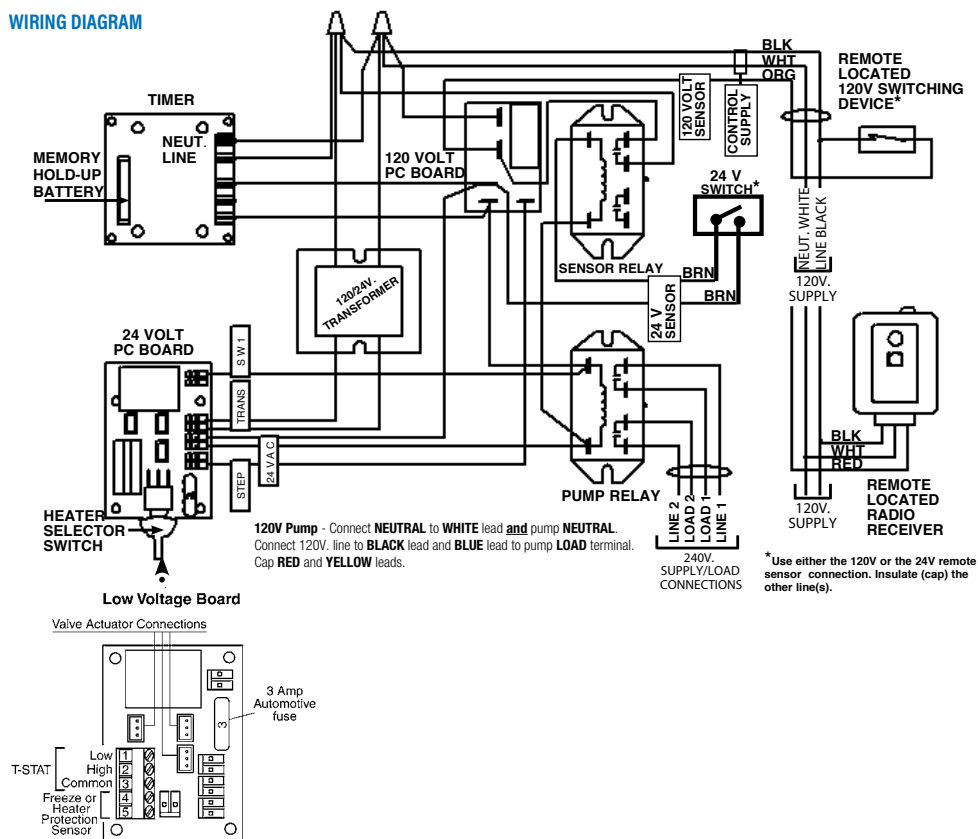


| Ratings | |
|------------------------------------|--|
| Load Center Rating | 100 A, 120/240 VAC or 120/208 VAC, Single Phase, 60 Hz |
| Input Voltage | 120/240 VAC, 60 Hz |
| Motor Load Ratings Single Speed | 1 1/2 HP @ 120 VAC, 3 HP @ 240 VAC, 60 Hz |
| No. of Actuator Connections | 3 (simultaneous rotation) |
| Dimensions H x W x D | 16.875" x 10.875" x 4.75" (428.6 mm x 276.2 mm x 120.7 mm) |
| Warranty | 1-Year limited |

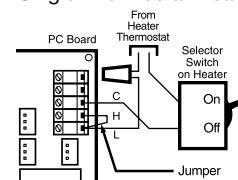


RC2163BFE

WIRING DIAGRAM

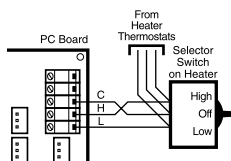


Single Thermostat Heater



1. Connect two 18 gauge wires in SERIES with Heater's Selector Switches.
2. Connect one of the wires to terminal "C" and the other to terminal "L". INSTALL JUMPER BETWEEN TERMINALS "L" AND "H".
3. Leave heater switch in ON position.

Dual Thermostat Heater



1. Connect three 18 gauge wires in PARALLEL with Heater's Selector Switches.
2. Connect the wire from central post (Common) of heater switch to terminal "C", High to "H" and Low to "L".
3. Leave heater switch in OFF position.



PE653RC

MultiWave® Basic Control System

PE653RC

The MultiWave® Basic Control System is a wireless electronic controller for pool and spa automation. It includes a five-circuit receiver with a built-in 24-hour timer as well as a wireless remote with batteries. The system also offers air and water sensors, an antenna relocation cap and a mounting base for easy installation. Utilize this solution to retrofit existing mechanical timers or as part of a new construction project. Intermatic's wireless pool and spa controls utilize Z-wave™ technology for wireless transmission.

APPLICATIONS

• Heater Thermostat Control • Motor Control • Pump Control

FEATURES

- Controls 5 circuits
- Single or two speed pumps; Pentair VSP; heater control, blowers, lights, cleaners
- 24-hour timing with 3 ON/OFF events per circuit
- Includes receiver, wireless remote, water and air temperature sensors, (3) AA batteries, equipment labels, flathead screwdriver, raintight enclosure, raintight cap and mount for remote mounting antenna
- Type 3R metal indoor/outdoor enclosure
- See MultiWave ECS and ECS Plus Systems for additional control options

| Model # | Description |
|---------|---|
| PE653RC | 24-Hour MultiWave® Basic Control , 5-Circuit, Type 3R Metal Enclosure |



| Ratings | |
|------------------------------|--|
| Max Power Consumption | 5 W |
| Input Voltage | 120-240 VAC 50/60 Hz |
| Circuit 1 | |
| Resistive | 20 A, 120 VAC, 20 A, 240 VAC |
| Motor | 80 LRA @120/240 VAC; 17 FLA @120/240 VAC |
| Tungsten | 5 A |
| Circuit 2-5 | |
| Resistive | 15 A |
| Motor | 60 LRA @120/240 VAC; 10 FLA @120/240 VAC |
| Tungsten | 5 A |
| Enclosure Dimensions | 9.375" x 5.5" x 3.75" |
| H x W x D | (238.1 mm x 139.7 mm x 95.3 mm) |
| Knockouts | |
| Bottom | (2) combination 1/2" - 3/4" |
| Left | (1) combination 1/2" - 3/4" |
| Back | (1) combination 1/2" - 3/4" |
| Right | (1) combination 1/2" - 3/4" |
| Warranty | 2-Year limited |



PE25065RC

MultiWave® ECS System

PE25065RC

This system includes the MultiWave Basic and an Expansion Module to control up to four valve actuators, two heaters, various variable speed pumps and solar heating/cooling. The Remote Switch feature provides simple ON/OFF control of several components (i.e., spa heater, spa blower, spa lights) simultaneously with the flip of a single switch.

APPLICATIONS

• Heater Thermostat Control • Motor Control • Pump Control

FEATURES

- Four breaker spaces
 - Controls 5 circuits
 - Controls 4 actuator ports (actuators not included), 2 for pool to spa valve rotation, 1 for water feature valve rotation, and 1 for solar applications
 - Controls 2 heater circuits
 - USB port for ease of upgrading firmware
 - Load center dead front has two knockouts for switches and GFCIs
 - Remote switch for simple ON/OFF control of several components at the same time*
- *Remote switch sold separately*

| Model # | Description |
|-----------|---|
| PE25065RC | MultiWave® ECS System with 60 A Load Center, Expansion Module |



| Ratings | |
|-----------------------------|--|
| Load Center Rating | 60 A, 120/240 VAC or 120/208 VAC, Single Phase |
| Input Voltage | 120-240 VAC 50/60 Hz |
| Circuit 1 | |
| Resistive | 20 A |
| Motor | 80 LRA @120/240 VAC; 17 FLA @120/240 VAC |
| Tungsten | 5 A |
| Circuit 2-5 | |
| Resistive | 15 A |
| Motor | 60 LRA @120/240 VAC; 10 FLA @120/240 VAC |
| Tungsten | 5 A |
| Enclosure Dimensions | 16.875" x 10.875" x 4.75" |
| H x W x D | (428.6 mm x 276.2 mm x 120.7 mm) |
| Knockout Dimensions | |
| Bottom | (1) 1 1/8" diameter hole, (6) combination 1/2" - 3/4", (3) combination 3/4" - 1" |
| Left | (2) combination 1/2" - 3/4" |
| Back | (1) combination 3/4" - 1" |
| Right | (1) 1 3/8" x 2 3/4" for mounting switches or GFCI |
| Warranty | 2-Year limited |



PE35065RC

MultiWave[®] ECS Plus System

PE35065RC

This system includes the MultiWave ECS, two PE24VA Intermatic Valve Actuators and an upgraded 80 A Load Center with 8 breaker base.

APPLICATIONS

- Heater Thermostat Control • Motor Control • Pump Control

FEATURES

- Eight breaker spaces
- Controls 5 circuits
- Controls 4 actuator ports (2 actuators included), 2 for pool to spa valve rotation, 1 for water feature valve rotation and 1 for solar applications
- Controls 2 heater circuits
- USB port for ease of upgrading firmware
- Load center with eight position 80 A breaker base
- Load center dead front has four knockouts for switches and GFCIs
- Remote switch for simple ON/OFF control of several components at the same time*
**Remote switch sold separately*

| Model # | Description |
|-----------|---|
| PE35065RC | MultiWave [®] ECS System with 80 A Load Center, Expansion Module and Two Valve Actuators |



| Ratings | |
|---|---|
| Load Center Rating | 80 A, 120/240 VAC or 120/208 VAC, Single Phase |
| Input Voltage | 120-240 VAC 50/60 Hz |
| Circuit 1 | |
| Resistive | 20 A |
| Motor | 80 LRA @120/240 VAC; 17 FLA @120/240 VAC |
| Tungsten | 5 A |
| Circuit 2-5 | |
| Resistive | 15 A |
| Motor | 60 LRA @120/240 VAC; 10 FLA @120/240 VAC |
| Tungsten | 5 A |
| Enclosure Dimensions H x W x D | 22.875" x 14.875" x 4.75" (581 mm x 377.8 mm x 120.7 mm) |
| Knockout Dimensions | |
| Bottom | (1) 1 1/8" diameter hole, (6) combination 1/2" - 3/4", (4) 1/2", (2) combination 1 1/8" - 1 3/8" - 1 1/2" |
| Left | (2) combination 1/2" - 3/4" |
| Back | 4) combination 3/4" - 1", (2) combination 3/4" - 1" |
| Right | (1) 1 3/4" x 2 3/4" for mounting switches or GFCI |
| Warranty | 2-Year limited |



PE30065RC

MultiWave[®] Basic with 80 A Load Center

PE30065RC & PE30065RCT3

A wireless electronic controller for pool or spa automation. Retrofit existing mechanical timers or install with new construction. Has an 80 A load center.

APPLICATIONS

- Heater Thermostat Control • Motor Control • Pump Control

FEATURES

- Eight breaker spaces
- Controls 5 circuits
- Controls pumps, lights, cleaners and heaters
- Operates single, two and Pentair[®] IntelliFlo[®] and IntelliPro[®] variable-speed pumps
- 24-hour timing with 3 ON/OFF events per circuit
- Includes receiver, wireless remote, water and air temperature sensors, (3) AA batteries, equipment labels, flathead screwdriver, raintight enclosure, raintight cap and mount for remote mounting antenna
- See MultiWave ECS and ECS Plus Systems for additional control options
- Type 3R indoor/outdoor metal load center
- Four knockouts for GFCIs and switches

| Model # | Description |
|-------------|--|
| PE30065RC | 24-Hour MultiWave [®] Basic Control , 5-Circuit, 80 A Load Center, Type 3R Metal Enclosure |
| PE30065RCT3 | 24-Hour MultiWave [®] Basic Control , 5-Circuit, 80 A Load Center, 300 W Transformer, Type 3R Metal Enclosure |



| Ratings | |
|---|---|
| Load Center Rating | 80 A, 120/240 VAC or 120/208 VAC, Single Phase |
| Input Voltage | 120-240 VAC 50/60 Hz |
| Circuit 1 | |
| Resistive | 20 A |
| Motor | 80 LRA @120/240 VAC; 17 FLA @120/240 VAC |
| Tungsten | 5 A |
| Circuit 2-5 | |
| Resistive | 15 A |
| Motor | 60 LRA @120/240 VAC; 10 FLA @120/240 VAC |
| Tungsten | 5 A |
| Transformer | |
| Input Voltage | 120 VAC, 60 Hz |
| Output Voltage | 12, 13, 14 VAC |
| Enclosure Dimensions H x W x D | 22.875" x 14.875" x 4.75" (581 mm x 377.8 mm x 120.7 mm) |
| Knockout Dimensions | |
| Bottom | (1) 1 1/8" diameter hole, (6) combination 1/2" - 3/4", (4) 1/2", (2) combination 1 1/8" - 1 3/8" - 1 11/16" |
| Left | (2) combination 1/2" - 3/4" |
| Back | (4) 1/2", (2) combination 1 1/8" - 1 3/8" - 1 1/2" |
| Right | (1) 1 3/4" x 2 3/4" for mounting switches or GFCI |
| Warranty | 2-Year limited |



PE653

MultiWave® 5-Circuit Wireless Receiver

PE653

FEATURES

- Ideal addition to an existing enclosure installation
- Connects with PA122 water/solar temperature sensor and 178PA28A air sensor
- Communicates with pumps, cleaners, heaters and lights
- Ideal for upgrading mechanical timers
- 2-year warranty



| Model # | Description |
|---------|--|
| PE653 | MultiWave® 5-Circuit Wireless Receiver |



PE953

MultiWave® Wireless Remote

PE953

FEATURES

- On-demand control of MultiWave functions and other devices
- Backlit display shows time of day, equipment status, water and air temperatures and ON/OFF schedules
- Water-resistant
- Includes 3 AA batteries and equipment labels
- 2-year warranty

| Model # | Description |
|---------|------------------------------------|
| PE953 | Wireless Remote, MultiWave systems |



PA122

Water/Solar Temperature Sensor

PA122

FEATURES

- Monitors pool/spa water temperature to control conventional gas or electric heating
- Monitors water temperature for solar heating/cooling
- 1-year warranty

| Model # | Description |
|---------|--|
| PA122 | Water/Solar Temperature Sensor, 10k OHM, For MultiWave systems |



178PA28A

Freeze Probe Kit

178PA28A

FEATURES

- Monitors outside air temperature
- Protects pool/spa equipment and plumbing
- Perfect for below-freezing outdoor environments
- 1-year warranty

| Model # | Description |
|----------|--|
| 178PA28A | Freeze Probe Kit, 10k OHM, For MultiWave systems |



P4043ME



PE140

Valve Actuator Controls

P4043ME

This switching device is most suited for controlling electronic valve actuators which direct the flow of water to water features, fountains, slides, etc. It can also be used with a spring wound timer or simple switch to control fountains or other aquatic features.

APPLICATIONS

- Valve Control

FEATURES

- Easily snaps into most existing Intermatic enclosures with available mechanism support bracket
- Controls up to three valve actuators (simultaneous rotation)
- Switches heater thermostat HIGH/LOW
- Remote control capabilities*

*Switch not included

| Model # | Description |
|---------|---|
| P4043ME | Valve Actuator Control - Mechanism Only |
| PE140 | Valve Actuator Control, Type 3R Metal Enclosure |



| Ratings | |
|-----------------------|-----------------------|
| Input Voltage | 120/240 VAC, 50/60 Hz |
| Valve Actuator Supply | 24 VAC, 40 VA |
| Warranty | 1-Year limited |



PE24VA

24-Volt Valve Actuator

PE24VA

Designed with quality in mind, Intermatic's 24-Volt valve actuators provide reliable control of 2-way and 3-way diverter valves for pool/spa combinations and water features. The water flow can be altered for specific applications through the adjustable cam, which rotates diverter valves to multiple degree settings. The cam settings can be easily adjusted by simply removing the lid. These valve actuators are compatible with all pool/spa valves currently offered in the industry and will retrofit into all pool/spa control systems.

APPLICATIONS

- Valve Control

FEATURES

- Reliable control of 2-way and 3-way diverter valves
- Easy-to-adjust cam rotates valves to multiple settings
- Compatible with all pool/spa valves and controls

| Model # | Description |
|---------|------------------------|
| PE24VA | 24-Volt Valve Actuator |



| Ratings | |
|-----------------------|----------------|
| Valve Actuator Supply | 24 VAC, 60 Hz |
| Amp | 0.75 A |
| Cord Length | 25 ft |
| Warranty | 1-Year limited |



PE24GVA



| Ratings | |
|-----------------------|----------------|
| Valve Actuator Supply | 24 VAC, 60 Hz |
| Amp | 0.75 A |
| Cord Length | 25 ft |
| Warranty | 1-Year limited |

Next Gen 24-Volt Valve Actuator

PE24GVA

The Intermatic® PE24GVA valve actuator is designed for today's pool automation systems. It is fully adjustable with a simplified tool-less setup. This valve actuator was designed specifically with the installers and pool owners in mind. The spin and set cams make it a breeze to work with. These valve actuators are compatible with all pool/spa valves currently offered in the industry and will retrofit into all pool/spa control systems.

APPLICATIONS

- Valve Control

FEATURES

- Reliable control of 2-way and 3-way diverter valves
- Easy-to-adjust cam rotates valves to multiple settings
- Compatible with all pool/spa valves and controls

| Model # | Description |
|---------|------------------------|
| PE24GVA | 24-Volt Valve Actuator |



PF112T



PF1222TB1



| Ratings | |
|--|---|
| Power Center Rating | 120/240 VAC, 60 Hz, Single-Phase |
| Load Center Rating | 60 A Max, 120-240 VAC, Single Phase 60 Hz |
| Operating Voltage | 240 VAC, 60 Hz |
| Switch Type | DPST |
| Resistive | 17 A, 240 VAC, 60 Hz |
| Motor | 3 HP, 240 VAC, 60 Hz |
| Thermostat Range | 33°F - 42°F (0.5°C - 5.6°C) |
| Power Center Dimensions H x W x D | 12" x 12.875" x 4.25" (304.8 mm x 327 mm x 108 mm) |
| Load Center Dimensions H x W x D | 16.875" x 10.875" x 4.75" (428.6 mm x 276.2 mm x 120.7 mm) |
| Warranty | 1-Year limited |

Control System with Freeze Protection and Power or Load Center

PF1100 & PF1200 SERIES MECHANICAL PANELS

Protects pool/spa equipment against freeze damage.

APPLICATIONS

- Protection • Pump Control

FEATURES

- GFCI and switch mounting capabilities
- Turns pump and heater ON when outdoor temperature drops below user-adjustable setpoint on thermostat
- Heavy-duty Type 3R metal indoor/outdoor enclosure

| Model # | Description | Heater Protection |
|-------------------|---|-------------------|
| PF112T | Freeze Protection Control Center with Timer and Thermostat for 240V Applications, Type 3R Metal Enclosure | No |
| PF1202T | Freeze Protection Control Center with 2 Timers and Thermostat for 240V Cleaner Applications, Type 3R Metal Enclosure | No |
| PF1222TB1* | Freeze Protection 4/8 Breaker Base Panel with 2 Timers and Thermostat for 240V Cleaner Applications, Heater Protection, Type 3R Metal Enclosure | Yes |

*Four breaker spaces and heater protection

Note: Wiring devices may be installed in these Load Centers with the use of Standoffs.



PF1102M



PF1102T



| Ratings | |
|---------------------------------------|--|
| Operating Voltage | |
| PF1102 | 240 VAC, 60 Hz |
| PF1103 | 120-240 VAC, 60 Hz |
| HP | |
| PF1102 | 3 HP @ 240 VAC, 60 Hz |
| PF1103 | 1 1/2 HP @ 120 VAC, 3 HP @ 240 VAC, 60 Hz |
| Thermostat Range | 33°F - 42°F (0.5°C - 5.6°C) |
| Enclosure Dimensions H x W x D | 9.625" x 5.75" x 3.625" (244.5 mm x 146.1 mm x 92.1 mm) |
| Knockout Dimensions | |
| Bottom | (2) 1/2" - 3/4" |
| Left | (1) 1/2" - 3/4" |
| Back | (4) 1/2" - 3/4", (1) 1/2" - 3/4" |
| Right | (1) 1/2" - 3/4" |
| Warranty | 1-Year limited |

Single-Circuit Freeze Protection Controls

PF1100 MECHANICAL SERIES

Protects pool/spa equipment against freeze damage. Turns pump and heater on when the outdoor temperature drops. Integrated adjustable thermostat.

APPLICATIONS

- Protection • Pump Control

FEATURES

- Turn pump and heater ON when outdoor temperature drops below user-adjustable setpoint on thermostat
- Models with or without mechanical timer mechanism
- Heavy-duty metallic rainproof enclosure
- For use with pool and spa, pond, fountain or marina type applications

| Model # | Description |
|------------------|--|
| PF1102M* | Freeze Protection Thermostat only for 240V Applications, Mechanism |
| PF1102 | Freeze Protection Thermostat only for 240V Applications, Type 3R Metal Enclosure |
| PF1103 | Freeze Protection Thermostat only for 120/240V Applications, Type 3R Metal Enclosure |
| PF1102MT | Freeze Protection Timer with Thermostat for 240V Applications, Mechanism |
| PF1103MT* | Freeze Protection Timer with Thermostat for 120/240V Applications, Mechanism |
| PF1102T | Freeze Protection Timer with Thermostat for 240V Applications, Type 3R Metal Enclosure |
| PF1103T | Freeze Protection Timer with Thermostat for 120/240V Applications, Type 3R Metal Enclosure |

*Neutral must be installed

Outdoor Radio Receivers

RC600 SERIES

Control loads with the receiver mounted ON/OFF button or wirelessly via a remote transmitter. For indoor/outdoor use. Turn your pool lights on from any spot around your house.

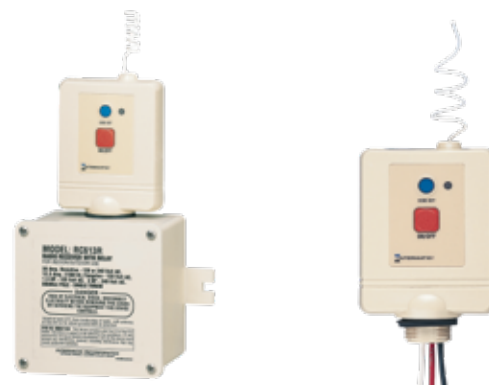
APPLICATIONS

- Motor Control • Pump Control • Lighting

FEATURES

- Respond to handheld transmitter (provided separately below)
- For indoor/outdoor use
- Handle a variety of switching applications
- Enable connected loads to be turned ON/OFF remotely
- Maximum range 100 ft
- Beige outdoor grade plastic enclosure

| Model # | Description |
|---------|--|
| RC613 | Radio Receiver with manual ON/OFF button |
| RC613L | Radio Receiver with manual ON/OFF button -- (3) 36" Long Leads |
| RC613R | Heavy-Duty Receiver Module with Manual ON/OFF button |



RC613R

RC613

| Ratings | |
|----------------------------|---|
| RC613/RC613L | |
| Switch Type | SPST |
| Resistive | 20 A, 120 VAC, 60 Hz |
| Tungsten | 10 A, 1200 W, 60 Hz |
| Motor | 1 HP, 120 VAC, 60 Hz |
| RC613R | |
| Switch Type | DPST |
| Resistive | 30 A, 120/240 VAC, 60 Hz |
| Tungsten | 12.5 A, 1500 W, 60 Hz |
| Motor | 1 1/2 HP @ 120 VAC, 3 HP @ 240 VAC, 60 Hz |
| Enclosure H x W x D | |
| RC613/RC613L | 4.5" x 3" x 1.75" (114.3 mm x 76.2 mm x 44.5 mm) |
| RC613R | 8" x 4.25" x 3.375" (203.2 mm x 108 mm x 85.7 mm) |
| Warranty | 1-Year limited |

Handheld 3-Channel Radio Transmitter

RC939

Transmit signals to the RC family of radio receivers for remote ON/OFF control. Controls shared pool/spa equipment including booster pump. Operates up to three RC600 series receivers.

APPLICATIONS

- Motor Control • Pump Control • Lighting

FEATURES

- Operates up to three RC600 Series receivers
- Range 100 ft.
- Replaceable battery

| Model # | Description | Range | Battery |
|---------|--------------------------------------|---------|---------|
| RC939 | Handheld 3-Channel Radio Transmitter | 100 ft* | CR2032 |

*Range depends on many factors including age of battery, proximity of large metal objects, location of receiver, and environmental conditions at the time of transmission.



RC939



| Ratings | |
|-----------------------------|--|
| Dimensions H x W x D | 2.5" x 1.25" x 1/2" (63.5 mm x 31.8 mm x 12.7 mm) |
| Warranty | 1-Year limited |

ACCESSORIES

For accessories and replacement parts please see pages 184-185.



RC2343PT



| Ratings | |
|-------------------------------|---|
| Input Voltage | 120-240 VAC, 60 Hz |
| Switch Type | 4-Function |
| Switch Ratings (Each Circuit) | |
| Resistive | 20 A, 120/240 VAC, 60 Hz |
| Motor | 1 HP, 120 VAC, 60 Hz, 2 HP, 240 VAC, 60 Hz |
| Enclosure H x W x D | 9 5/8" x 5 3/4" x 3 3/8" (244.5 mm x 146.1 mm x 92.1 mm) |
| Warranty | 1-Year limited |

Multifunction Air Switches with 24-Hour Timer

RC2000 SERIES

Control ON/OFF timing safely, without electricity, near the water.

APPLICATIONS

-Pump Control - Motor Control

FEATURES

- Remote control for one or two separate loads
- Multiple ON/OFF settings per day
- Flexible air hose (RC117 sold separately) enables operation up to 100 feet
- Type 3R plastic indoor/outdoor enclosure
- Requires a neutral

| Model # | Description |
|----------|--|
| RC2343PT | One or Two Speed Pump and Blower ON/OFF with Timer |



RC4G



RC127B



RC117



RC510

Air Switches and Accessories

RC SERIES

Used for air controlled equipment

APPLICATIONS

- Motor Control - Pump Control

FEATURES

- Replaces existing buttons and accessories

| Model # | Description |
|---------|---|
| RC4G | 1" Gunitite Air Button - 100 ft Range |
| RC6F | 1 1/2" Fiberglass Air Button - 100 ft Range |
| RC117 | Air Tubing - 75 ft Length |
| RC127B | Air Tubing and Air Button (RC4G) - 75 ft Length |
| RC150 | Air Tubing - 500 ft Length |
| RC510 | Air Tubing Coupler (pack of 10) |

ACCESSORIES

For additional accessories and replacement parts please see page 184-185.



PB873MKZ



PB913N/PB914N



PB913N66/PB914N66



PB913N84/ PB914N84

Panel Mount Timers

PB SERIES

These timers provide automatic control for pumps, cleaners and other types of loads. Timers have three-way mounting; flush in round opening, raised in rectangular opening or on base. Quick connect terminals for easy installation.

APPLICATIONS

- Motor Control - Pump Control

FEATURES

- Automated control for pumps, cleaners and other types of loads
- 3 different mounting methods
- Quick connect terminals for easy installation
- 24-hour timing cycle - MIN ON time 1-hr, MAX ON time 23-hr, 30-min intervals
- 7-day timing cycle - 6 to 162-hr ON time, 3-hr intervals

| Model # | Description | Input Voltage | No. of Trippers | Manual Override |
|--------------------------------|--|--------------------|-----------------|-----------------|
| Without Manual Override | | | | |
| PB873MKZ | 7-Day 120V Mechanical Panel Mount Timer, 56 Trippers | 120 VAC, 60 Hz | 56 | No |
| PB913N | 24-Hour 120V Mechanical Panel Mount Timer, 48 Trippers | 120 VAC, 60 Hz | 48 | No |
| PB914N | 24-Hour 208-277 V Mechanical Panel Mount Timer, 48 Trippers | 208-277 VAC, 60 Hz | 48 | No |
| With Manual Override | | | | |
| PB913N66 | 24-Hour 120V Mechanical Panel Mount Timer with Manual Override, 48 Trippers | 120 VAC, 60 Hz | 48 | Yes |
| PB914N66 | 24-Hour 208-277 V Mechanical Panel Mount Timer with Manual Override, 48 Trippers | 208-277 VAC, 60 Hz | 48 | Yes |
| PB913N84 | 24-Hour 120V Mechanical Panel Mount Timer with Manual Override, 4 Trippers | 120 VAC, 60 Hz | 4 | Yes |
| PB914N84 | 24-Hour 208-277V Mechanical Panel Mount Timer with Manual Override, 4 Trippers | 208-277 VAC, 60 Hz | 4 | Yes |



| Ratings | |
|-------------------------|---|
| Switch Type | SPST |
| Resistive | 20 A (16 A*), 120-277 VAC, 60 Hz |
| Tungsten | 1250 W, 125 VAC, 60 Hz |
| Pilot Duty | 360 VA, 120-240 VAC, 60 Hz |
| Motor | 1 HP, 16 FLA @ 120 VAC, 60 Hz, 2 HP, 12 FLA @ 240 VAC, 60 Hz |
| Quick Connect Terminals | (4) 1/4" male (2) for load (2) for independent clock motor, Terminals |
| Dimensions H x W x D | 3.333" x 2.813" x 1.953" (84.6 mm x 71.4 mm x 49.6 mm) |
| Warranty | 1-Year limited |

*(16A) CSA

ACCESSORIES

For accessories and replacement parts please see page 184-185.



Protect it all with the PS3000 Surge Protective Device

Did you know most power surges are caused by the on-and-off cycling of typical home appliances, not by adverse weather conditions? Homeowners rely on surge strips to protect expensive home electronics, such as computers, high definition TV's and surround sound systems, but what about expensive pool equipment? The easy-to-install PS3000 Surge Protective Device is perfect for pool and spa equipment. It is typically installed at the pool electrical panel and uses state-of-the-art TMOV[®] surge technology to protect all equipment downstream of the connection point.

SCAN TO LEARN MORE



Don't let your pool season plans fall into the deep end because of an unexpected power surge event – invest in the PS3000 Surge Protective Device from Intermatic.

Pool and Spa Surge Protective Device Type 1 or Type 2

PS3000

Mount the PS3000 to your pool electrical panel to protect all your expensive pool and spa equipment against power surges. Designed with trusted, state-of-the-art TPMOV™ (Thermally Protected Metal Oxide Varistor) surge protection technology to eliminate the potentially hazardous failure modes that are commonly associated with standard MOV technology.

APPLICATIONS

- Distribution Panel • Surge Protection

FEATURES

- TPMOV™ Surge Protection Technology
- UL Listed to ANSI/UL 1449, 4th edition
- 120/240 VAC single-phase SPD for use on a variety of pool equipment
- Green LED protection indicator
- Type 4X watertight and UV resistant plastic enclosure
- Three modes of protection
- Includes (3) 18", #10 AWG tinned copper leads
- 3-year warranty
- \$7500 connected equipment warranty



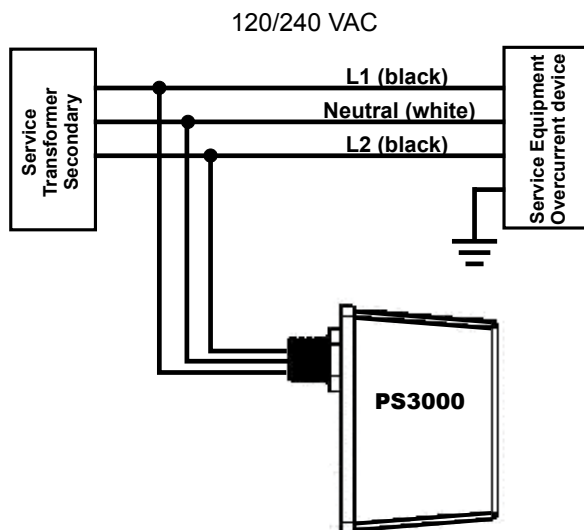
PS3000

| Model # | Wiring Configuration |
|---------|----------------------|
| PS3000 | L1, L2, L/N-G |

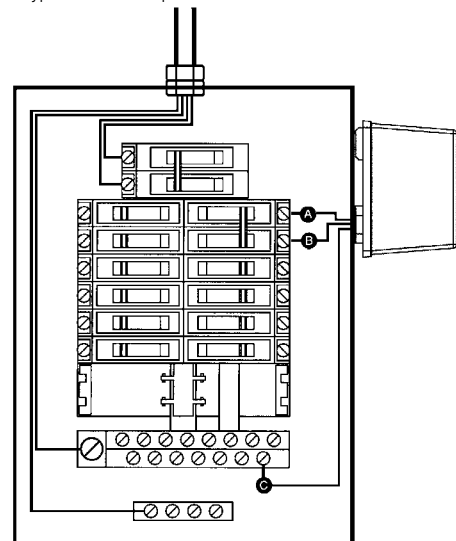


| Ratings | |
|---------------------------------|---|
| Service Voltage | 120/240 VAC Single-Phase |
| SPD Type | 1, 2 |
| Nominal Discharge Current (In) | 20 kA |
| SCCR* | 100 kA |
| Max Surge Current | 50 kA |
| Voltage Protection Rating (VPR) | |
| L-N/G | 700 |
| L-L | 1200 |
| MCOV** | |
| L-N | 150 |
| L-L | 300 |
| Dimensions H x W x D | 3.875" x 1.625" x 4.1875" (98 mm x 41 mm x 106.4 mm) |
| Warranty | 3-Year limited |

WIRING DIAGRAMS

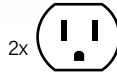


Typical distribution panel installation





DT200LT



| Ratings | |
|----------------------|--|
| Operating Voltage | 120 VAC, 60 Hz |
| Resistive | 15 A, 120 VAC, 60 Hz |
| Inductive | 12 A, 120 VAC, 60 Hz |
| Motor | 1/2 HP @ 120 VAC, 60 Hz |
| Dimensions H x W x D | 3 3/8" x 3 5/8" x 2 1/4" (81 mm x 84 mm x 57 mm) |
| Warranty | 1-Year limited |

Digital Landscape Timer

DT200LT SERIES

Digital 24-hour landscape timer with DST, rated for use in low voltage transformers up to 1200W featuring ON programming at Dusk or predetermined time and OFF at Dawn or predetermined time.

APPLICATIONS

- Indoor Lighting Control • Outdoor Lighting Control • Landscape Water Control

FEATURES

- Factory set AUTO DST option takes the hassle out of Daylight Saving Time adjustments
- One push, programming override for homeowner convenience
- Rated for use in low voltage transformers up to 1200 W
- An operating temperature range of -40° F to 122° F (-40° C to 50° C) for steady performance in all types of climates
- Two included LR44 batteries retain the correct time and settings for up to three months without power
- Use with UL Certified Type 3R enclosure (sold separately)
- Intermatic Linesync technology provides accurate timing for years

| Model # | Amp/Supply Voltage | Rcpt/Plug |
|---------|----------------------|-----------|
| DT200LT | 15 A, 120 VAC, 60 Hz | 5-15 |



P1101



P1121



P1131



| Ratings | P1101 | P1121 | P1131 |
|-----------------------|--|---|--|
| Resistive | 15 A, 120 VAC, 60 Hz | 15 A, 120 VAC, 60 Hz | 20 A, 120 VAC, 60 Hz |
| Tungsten/Incandescent | 1800 W, 120 VAC, 60 Hz | 1800 W, 120 VAC, 60 Hz | - |
| FLA/LRA | 1 HP, 15 FLA, 90 LRA @ 120 VAC | 1 HP, 15 FLA, 90 LRA @ 120 VAC | 1 HP, 16 FLA, 96 LRA @ 120 VAC |
| Dimensions H x W x D | 5 3/8" x 5 1/8" x 2 1/2" (137 mm x 130 mm x 64 mm) | 5 3/8" x 3 3/8" x 3 1/4" (143 mm x 92 mm x 83 mm) | 5 3/8" x 5 1/8" x 2 1/2" (137 mm x 130 mm x 64 mm) |
| Warranty | 1-Year limited | 1-Year limited | 1-Year limited |

Outdoor Mechanical Plug-In Timers With Built-In Enclosure

P1100 SERIES

These plug-in timers are grounded and utilize a flip-open enclosure rated for outdoor use. These heavy-duty timers are great for providing timer function to pumps, landscaping or holiday lighting. 24-hour timers come with 2 On and 2 Off settings.

APPLICATIONS

- Outdoor Lighting Control • Landscape Water Control • Pool Pump
- Outdoor Water Fountains

FEATURES

- 2 ON/2 OFF settings per day with removable trippers, more ON/OFF events with addition of extra trippers
- Minimum 30-min ON/OFF time
- Built into outdoor rated enclosure with clear or black flip cover
- Grounded standard or locking type style NEMA plug and receptacle
- Plugs directly into wall outlet

| Model # | Rcpt/Plug | Cord Length | Cover |
|---------|-----------|-------------|-------|
| P1101 | 5-15 | 22" | Black |
| P1121 | 5-15 | 13" | Black |
| P1131 | L5-20 | 22" | Black |

WANT MORE TIMERS?

For additional Plug-In Timers check out pages 74-79.

Electronic Panel Mount Timers

PB300 SERIES

These compact Electronic Timers are specially suited for applications where equipment needs to be cycled ON and OFF up to 8 times per day, and where automatic operation of the equipment requires occasional override by someone other than a qualified service professional. They offer rugged construction, resistance to surges and humidity, operate between wide temperature extremes and come with a 5 year service life replaceable lithium battery. A light indicator illuminates when the timer is in the ON position. Select feature allows timers to be continuously ON, OFF or in AUTO mode.

APPLICATIONS

- Motor Control - Pump Control

FEATURES

- 24-hour and 7-day models
- Turn equipment ON/OFF up to 8 times per day
- Select feature enables timers to be continuously in ON/OFF/AUTO mode
- Rugged construction
- Beige, plastic enclosure
- 3-year service life replaceable lithium battery



PB313E

PB373E



| Ratings | |
|----------------------|-----------------------------|
| Switch Type | |
| 24-Hour Model | SPDT |
| 7-Day Models | SPST |
| Dimensions | 2.375" x 2.375" x 1.0625" |
| H x W x D | (60.3 mm x 60.3 mm x 27 mm) |
| Warranty | 1-Year limited |

| Model # | Resistive/Supply Voltage | HP/FLA |
|----------------|--------------------------|-----------------------------------|
| 24 hour | | |
| PB313E | 16 A, 120 VAC, 50/60 Hz | 1/2 HP, 8 FLA @ 120 VAC, 50/60 Hz |
| PB313EK* | 16 A, 120 VAC, 50/60 Hz | 1/2 HP, 8 FLA @ 120 VAC, 50/60 Hz |
| PB314E | 16 A, 240 VAC, 50/60 Hz | 1/2 HP, 8 FLA @ 240 VAC, 50/60 Hz |
| PB314EK* | 16 A, 240 VAC, 50/60 Hz | 1/2 HP, 8 FLA @ 240 VAC, 50/60 Hz |
| 7 day | | |
| PB373E** | 20 A, 120 VAC, 50/60 Hz | 1 HP, 16 FLA @ 120 VAC, 50/60 Hz |
| PB374E** | 20 A, 240 VAC, 50/60 Hz | 2 HP, 12 FLA @ 240 VAC, 50/60 Hz |

*EK models are replacement kits for PB Series timers.

**Output voltage is same as supply.

Electronic Time Switch Mechanisms

P7103ME

These digital time switches allow multiple ON/OFF cycles within a 24-hour time period for up to seven days.

APPLICATIONS

- Motor Control - Pump Control

FEATURES

- Turn equipment ON/OFF up to 8 times per day
- To-the-minute programming accuracy
- Dual-voltage input (3-wire)
- Timer override
- Select feature enables timers to be continuously in ON/OFF/AUTO mode
- 3-year service life, replaceable lithium battery



P7103ME



| Ratings | |
|----------------------|---|
| Input Voltage | 120 VAC, 50/60 Hz |
| Switch Type | DPST |
| Resistive | 20 A, 120/240 VAC, 50/60 Hz |
| Tungsten | 12.5 A (1500 W), 120 VAC, 50/60 Hz |
| Motor | 1 1/2 HP @ 120 VAC, 50/60 Hz; 3 HP @ 240 VAC, 50/60 Hz |
| Dimensions | 9.4375" x 6.5" x 3.6875" |
| H x W x D | (239.7 mm x 165.1 mm x 93.7 mm) |
| Warranty | 1-Year limited |

| Model # | Description |
|---------|---|
| P7103ME | 7-Day Electronic Time Switch Mechanism - Mechanism Only |

*Standard mechanism fits in all standard Intermatic enclosures and power and load centers.



P1251P

Two-Circuit Portable Outdoor Timers

P1200 SERIES

Use these convenient plug-in timers instead of hard-wired controls. They offer plug-in receptacles for convenience and ease of use. They have built-in GFCI protected circuits.

APPLICATIONS

- Landscape Lighting • Motor Control • Pump Control

FEATURES

- 24-hour with 23 ½-hour MAX ON time
- Timed circuit controlled by timer
- Timed and photocontrol circuit controlled by photocell and timer (P1251P only)
- Built-in GFCI protected circuits and three-prong grounded plug for time switch supply
- Type 3R plastic indoor/outdoor enclosure
- 2 ON/OFF trippers standard
- Accepts up to 12 sets of trippers



| Ratings | |
|-----------------------------|--|
| Resistive | 15 A, 1800 W, 60 Hz |
| Tungsten | 15 A, 1800 W, 60 Hz |
| Motor | 1 HP, 15 FLA, 90 LRA @ 120 VAC |
| Dimensions H x W x D | 9.375" x 5.5" x 4" (238.1 mm x 139.7 mm x 101.6 mm) |
| Cord | 3 wire, outdoor grade, 24" with grounded plug |
| Warranty | 1-Year limited |

| Model # | Photocontrol | Rect/Plug |
|---------|--------------|-----------|
| P1251P | Yes | 5-15 |
| P1261P | No | 5-15 |

ENCLOSURES



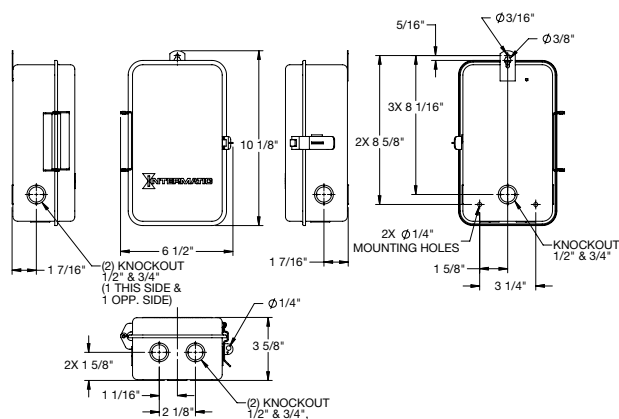
2T2485GA



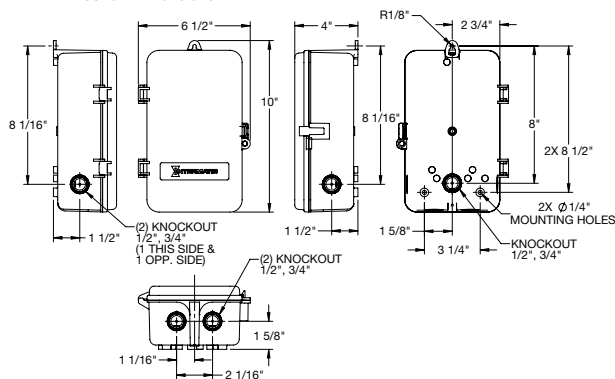
2T2502GA

| Model # | Description |
|----------|--------------------------------------|
| 2T2483GR | Flush Mount Metal, Type 1 |
| 2T2485GA | Case-Outdoor, Type 3R Metal, Beige |
| 2T2502GA | Case-Outdoor, Type 3R Plastic, Beige |
| 2T2503A | Case-Outdoor, Type 3R Plastic, Beige |

2T2485GA Dimensions



2T2502GA Dimensions



ACCESSORIES

| Model # | Description |
|-------------|--|
| 119--00085 | Transformer - 100 W, 120 V, 60 Hz |
| 124--00066 | Insulator for 3-Circuit Timers |
| 124--00139A | Insulator breaker base 4 pole |
| 124-00140A | Insulator breaker base 8-pole |
| 107HB254 | Green (ON) tripper for HB11, HB1113RC, HB1116R, HB3116R8, P1121 (Outdoor) |
| 107HB255 | Red (OFF) tripper for HB11, HB1113RC, HB1116R, HB3116R8, P1121 (Outdoor) |
| 124T1952 | Insulator (Black) for Double-Pole Time Switch (T103, T104, T105, T173, T174, T175, T176, T185, WH40) |
| 124T2411A | Insulator for Mechanical Time Switches - 10 Pack |
| 133RC1144 | Pressure Sensing Momentary Air Switch - 3 A |
| 143RC140 | Relay - 4-Function Stepper |
| 143RC151 | Relay - DPST, 3 HP, 24 VAC |
| 143T145A | Relay - DPST, 3 HP, 24 VDC |
| 119T267 | Transformer - 100 W, 120 V, 60 Hz |
| 119T340 | Transformer - 300 W, 120 V, 60 Hz |
| 143T135 | Relay - DPST, 3 HP, 240 VAC |
| 143T136 | Relay - DPST, 3 HP, 120 VAC |
| 156PB10398A | Trippers - Clip, ON/OFF, 24-Hr for PB and PF100 Series |
| 156T1978A | Extra/replacement trippers 1 ON and 1 OFF |
| 156T4042A | Fireman Switch |
| 156T6738A | Orange Vinyl Cushion/Insulator for Time Switch Manual Lever, 10 pack |
| 178PA28A | Freeze Probe Kit, 10k OHM, For MultiWave systems |
| 178T24 | Freeze Protection Thermostat |
| 178T26A | TSTAT ASY-FREEZE PROTECT (contains 178T24) For PF1xxx Freeze Protection units |
| 21T156A | Spacer-Standoff, 3" long - 4 pack |
| 21T166A | Spacer-Standoff, 3" long - 2 pack |
| 22T904A | Breaker Hold-Down Kit (If breaker is used as a backfed device) |
| 6LV1352 | Light Shield Accessory for EK4036S, EK4436SM, K4000 Series Button Photocontrols |
| PA102 | Switch Assembly with Thermostat and Relay |
| PA114 | Mounting Bracket for Pool/Spa Light Junction Boxes |
| PA115 | Trippers - OFF - 25 pack |
| PA117 | Replacement Latch Kit |
| PA119 | Mounting Bracket for PJBX52100 COMBOConnect* |
| PA122 | Water/Solar Temperature Sensor, 10k OHM, For MultiWave systems |
| PE953 | Wireless Remote, MultiWave systems |
| WG1570-10 | WG1570-10 |
| WG1573-10D | 208-277 VAC, 60 Hz Motor for T102, T104, T106, T172, T174, WH40 |
| WP1000C | Plastic In-Use Weatherproof Cover, Single-Gang, Vrt, 2.25" Clear |
| WP5100C | Extra-Duty Plastic In-Use Weatherproof Cover, Single-Gang, Vrt/Hrz, 2.75" Clear |



PA119



22T904A



143T135



143RC140



PA115



156PB10398A



178T24



119--00085

Enclosure Solutions

Protect timer controls and various styles of receptacles from the elements with code-compliant outdoor enclosures. Our die-cast, low-profile and plastic weatherproof covers offer rugged protection in all types of applications, including industrial, commercial and residential.



Type 1 Enclosures

Install Type 1 enclosures in indoor applications for a secure, finished look. These heavy-duty steel solutions provide a tidy access point for essential timer controls and can be locked to prevent unauthorized access.

Type 3R Enclosures

Choose Type 3 enclosures in outdoor applications for lasting protection against the elements all year round. These solutions can be used with mechanical and electronic timers to support a variety of scheduling needs.



Built-in Knockouts

Save time during installation by using one of the built-in knockouts found throughout our enclosures. These thoughtfully placed spaces can be quickly punched out to run wiring and tailor the enclosure to meet project requirements.



Specialty Mounting

Ensure a perfect fit with a selection of mounting brackets. These solutions help panel mount standardized electronic or mechanical timers.



Contents

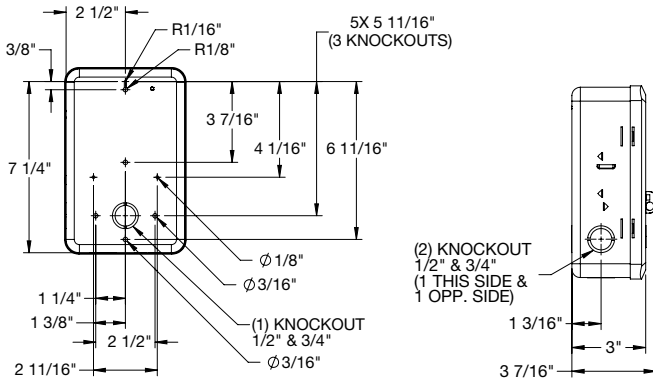
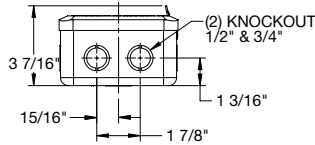
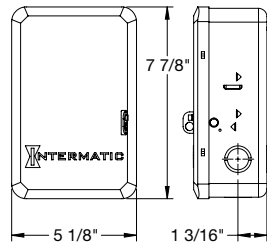
| | |
|---------------------------------|-----|
| Metal Enclosures..... | 188 |
| Plastic Enclosures..... | 189 |
| Specialty Mounting Options..... | 190 |
| NOM..... | 191 |
| Timer Selection Guide..... | 192 |





2T2040GA

ENCLOSURE DIMENSIONS



Indoor Metal Enclosure

TYPE 1 - METAL

These drawn steel, powder coated enclosures offer a spring style hasp to ensure the enclosure remains closed and allows for a lock to be used to prevent unauthorized access to the controls.

FEATURES

- Drawn steel with gray powder coat paint finish
- Combination 1/2" and 3/4" nominal knockouts with one on back and each side of enclosure, and two on bottom
- Convenient mounting holes
- Lockable hasp holds door closed

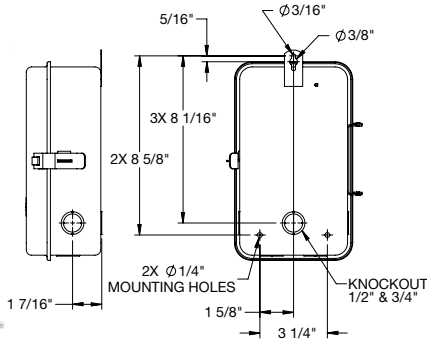
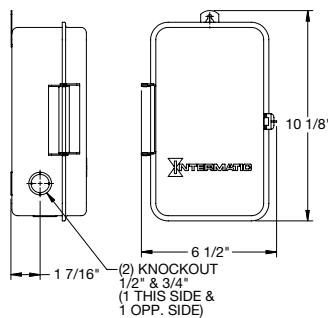
| Model # | Color | Dimensions H x W x D |
|-----------------|-------|--|
| 2T2040GA | Gray | 7 7/8" x 5 1/8" x 3 7/16" (200 mm x 130.2 mm x 87.3 mm) |

Accepts a wide range of Intermatic Time Switches, including most T100, T170, T1900, T2000, C8800, EH, ET1100, ET1700, ET2000, ET8000, ET90115, and ET90215 Series units.

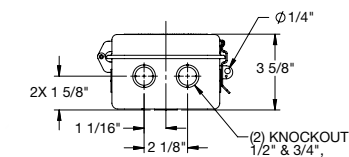
ENCLOSURE DIMENSIONS



2T511GA



2T2485GA



Outdoor Metal Enclosures

TYPE 3R RAINPROOF - METAL

These drawn steel, powder coated enclosures keep controls protected from rain, sleet, snow, and ice. They have a swinging hasp that allows for a lock to be used to prevent unauthorized access to the controls.

FEATURES

- Drawn steel with gray or beige powder coat paint finish
- Combination 1/2" and 3/4" nominal knockouts with one on back and each side of enclosure, and two on bottom
- Separate grounding terminal
- Convenient mounting holes
- Lockable hasp holds door closed

| Model # | Color | Dimensions H x W x D |
|--|-------|---|
| For Most Mechanical and Electronic Controls | | |
| 2T511GA* | Gray | 10 1/8" x 6 1/2" x 3 7/16" (257.2 mm x 165.1 mm x 92.1 mm) |
| 2T2485GA* | Beige | 10 1/8" x 6 1/2" x 3 7/16" (257.2 mm x 165.1 mm x 92.1 mm) |
| For Carry-Over Models | | |
| 2T2331GA** | Gray | 10 1/8" x 6 1/2" x 3 7/16" (257.2 mm x 165.1 mm x 93.7 mm) |

*Available for T100, T170, T1900, T2000, C8800, EH, ET1100, ET1700, ET2000, ET8000, ET90115, and ET90215 Series units.

**Available for T100CR, T170CR, T1400, and T1800 Series units.

Outdoor Plastic Enclosures

TYPE 3R RAINPROOF - PLASTIC

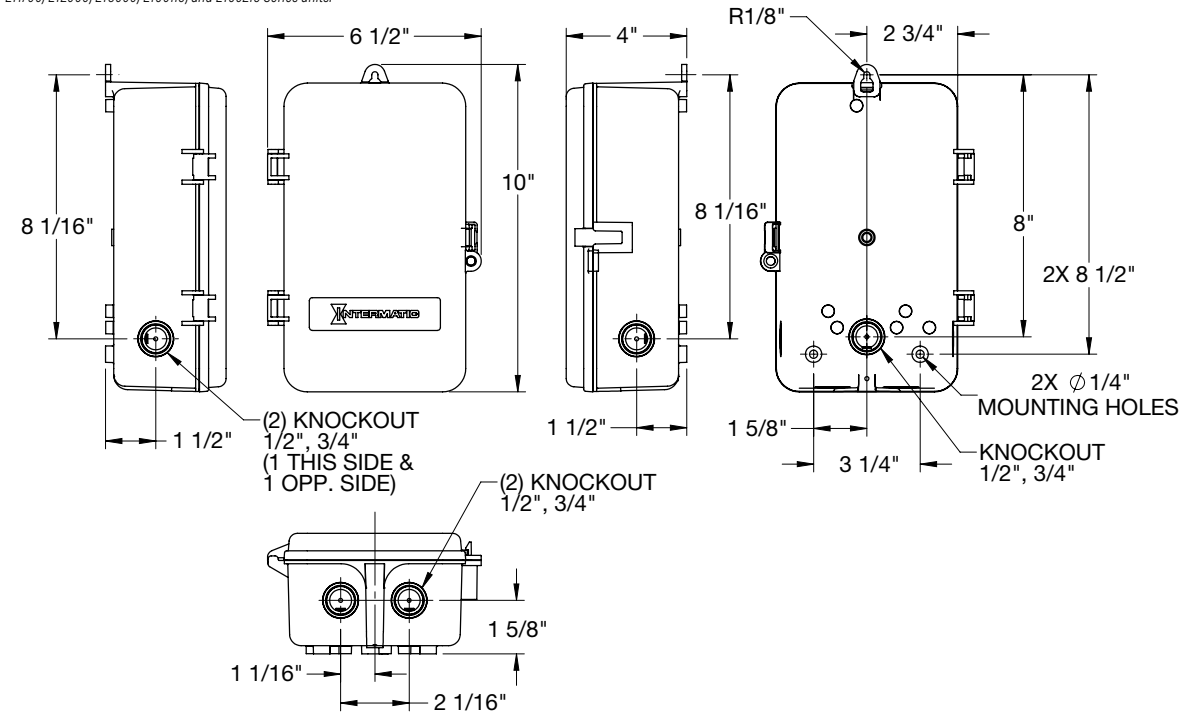
These heavy-duty industrial grade plastic enclosures include molded mounting brackets for easy installation and have a lockable hasp to prevent unauthorized access to the controls. These plastic enclosures are non-corroding, and are great for applications in high moisture or dusty locations.

FEATURES

- Heavy-duty industrial grade plastic
- Perfect for high humidity and dusty environments
- Combination 1/2" and 3/4" nominal knockouts with one on back and each side of enclosure, and two on bottom
- Lockable hasp holds door closed

| Model # | Color | Dimensions H x W x D |
|----------|-------|--|
| 2T2500GA | Gray | 10" x 6 1/2" x 4" (254 mm x 165.1 mm x 101.6 mm) |
| 2T2502GA | Beige | 10" x 6 1/2" x 4" (254 mm x 165.1 mm x 101.6 mm) |
| 2T2926A | Gray | 10" x 6 1/2" x 4" (254 mm x 165.1 mm x 101.6 mm) |

Accepts a wide range of Intermatic Time Switches, including most T100, T170, T1900, T2000, C8800, EH, ET100, ET1700, ET2000, ET8000, ET90115, and ET90215 Series units.



Case-Outdoor, Type 3R Plastic, Gray

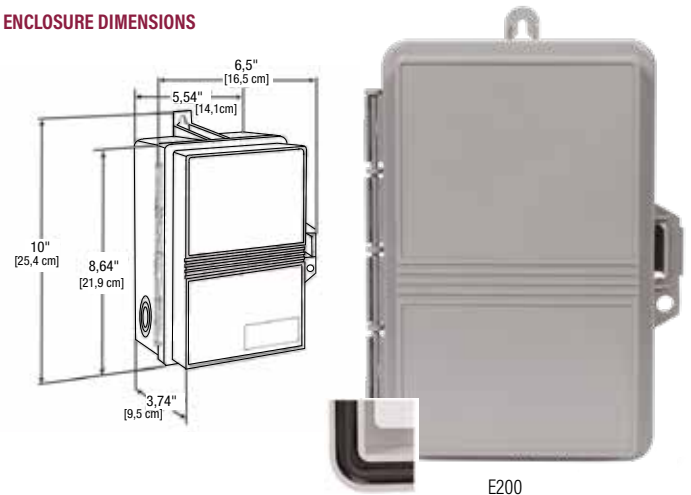
E200

FEATURES

- Type 3R Outdoor enclosure
- High impact all-plastic enclosure eliminates rust and corrosion
- Rugged heavy duty construction
- Provision for a padlock seal
- Five combinations of 1/2" and 3/4" knockouts

| Model # | Color | Dimensions H x W x D |
|---------|-------|--|
| E200 | Gray | 8 3/4" x 6 1/2" x 3 3/4" (219.45 mm x 165 mm x 95 mm) |

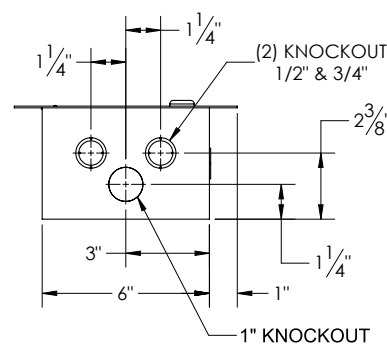
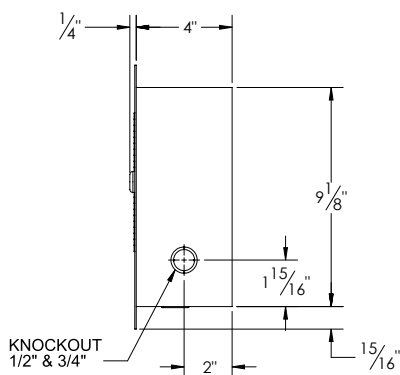
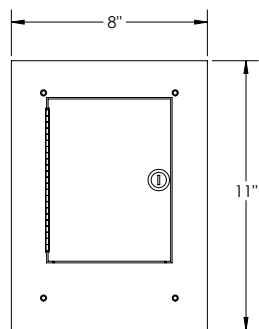
ENCLOSURE DIMENSIONS





2T308A

Enclosure Dimensions



Flush Mount Metal Enclosures

TYPE 1 RATED

These enclosures are great for concealing the controls in the wall to provide a finished, flush appearance. Enclosures are made of heavy-duty steel and also include a locking mechanism to prevent unauthorized access to the controls.

FEATURES

- Heavy-duty construction with hinged door
- Lockable door with key
- Various mounting holes

| Model # | Color | Dimensions H x W x D |
|---|-------|--|
| Riveted Mounting Bracket | | |
| 2T2365GA* | Gray | 9 1/8" x 6" x 4 1/8" (231.8 mm x 152.4 mm x 104.8 mm) |
| Adjustable Bracket Mount Locations | | |
| 2T308A** | Gray | 9 7/8" x 6" x 4 1/8" 231.8 mm x 152.4 mm x 104.8 mm |

*Available for ET1100, ET1700, ET2000, ET8000, EH, ET90115, and ET90215 series units.

**Available for T100, T170, T1900, T2000, and C8800 series units.

Mounting Bracket for Intermatic Standardized Timer Mechanisms

22T338GR

This bracket has been designed to be used when mounting the controls into areas where an enclosure will not be needed or when mounting the control into another form of enclosure. The bracket also accepts a wide range of Intermatic controls

FEATURES

- Ideal for panel mounting mechanical or electronic time switch controls



22T338GR

| Model # | Description | Dimensions H x W x D |
|----------|---|---|
| 22T338GR | Mounting Bracket for Intermatic Standardized Timer Mechanisms | 6" x 5" x 2" (152.4 mm x 127 mm x 50.8 mm) |

Accepts a wide range of Intermatic Time Switches, including most T100, T170, T1900, T2000, C8800, ET1100, ET1700, ET2000, ET8000, ET90115, and ET90215 series units.



**ELECTRICAL DISTRIBUTION PRODUCT OFFERING FOR MEXICO
OFERTA DE PRODUCTOS PARA DISTRIBUIDORES MEXICANOS**

Para satisfacer el mercado Mexicano, Intermatic ofrece los siguientes productos a distribuidores eléctricos industriales. Los productos cumplen con los requisitos de seguridad y calidad exigida por el mercado Mexicano y están respaldados por certificación NOM. Para información detallada del producto, por favor referirse a la sección y pagina indicada. Intermatic continua expandiendo su oferta de productos para el mercado Mexicano, por favor contactar a nuestros representantes de ventas para productos no listados.

| Model # | No Pagina |
|---|-----------|
| Controladores Electronicos Basico | |
| ET1105CMX | 26 |
| ET1125CMX | 26 |
| ET1705CMX | 26 |
| ET1725CMX | 26 |
| ET8015CMX | 26 |
| ET8115CMX | 26 |
| ET8115CPD82MX | 26 |
| ET8215CMX | 26 |
| ET8415CRMX | 26 |
| Controladores Electronicos Avanzado | |
| ET90115CMX | 22 |
| ET90115CRMX | 22 |
| ET90215CMX | 22 |
| ET90215CRMX | 22 |
| Controladores Electronicos para Paneles de Control | |
| FM1D20-120UMX | 31 |
| FM1D20A-120MX | 31 |
| FM1D20A-240MX | 31 |

| Temporizadores Mecanicos 24-Hr | |
|---|----|
| T101MX | 40 |
| T101PMX | 40 |
| T101RMX | 40 |
| T102MX | 40 |
| T102PMX | 40 |
| T103MX | 40 |
| T103PMX | 40 |
| T104MX | 40 |
| T104PMX | 40 |
| T104RMX | 40 |
| I56T1978AMX | 40 |
| T171MX | 41 |
| T173MX | 41 |
| T174MX | 41 |
| T1471BRMX | 41 |
| T1472BRMX | 41 |
| T1905MX | 42 |
| T1905EMX | 42 |
| T1906MX | 42 |
| T1975MX | 42 |
| T1976MX | 42 |
| Temporizadores Mecanicos 7-Dias | |
| T7401BMX | 44 |
| T7402BMX | 44 |
| T7801BMX | 44 |
| T2005MX | 45 |
| Temporizadores Especializados Electromecanico - Multivoltage | |
| GM40AVMX | 50 |
| Temporizadores Mecanicos para Paneles de Control | |
| FM1STUZ-120UMX | 47 |
| FM1STUZ-240UMX | 47 |
| FM1SWUZ-120UMX | 47 |

| Temporizadores Especializados de Ciclo | |
|---|----|
| CT2000MX | 56 |
| Temporizadores Especializados Calentador de Agua | |
| EH10MX | 59 |
| EH40MX | 59 |

| Model # | No Pagina |
|---|-----------|
| Temporizador de pared Mecanico - 24hrs | |
| KM2ST-1GMX | 67 |
| E1020MX | 66 |
| Temporizador de pared Electronico - 7dias | |
| ST01MX | 64 |
| Temporizador de pared Cronometraje Mecanico | |
| FD5MMX | 70 |
| FD15MCMX | 70 |
| FD30MCMX | 70 |
| FD60MCMX | 70 |
| FD2HMX | 70 |
| FD4HMX | 70 |
| FD6HMX | 70 |
| FD12HCMX | 70 |
| FD430MMX | 70 |
| FD460MMX | 70 |
| FF5MMX | 71 |
| FF5MHMX | 71 |
| FF15MCMX | 71 |
| FF30MCMX | 71 |
| FF60MCMX | 71 |
| FF6HMX | 71 |
| FF12HCMX | 71 |
| FF60MCMX | 71 |
| Temporizador de pared Cronometraje Electronico | |
| E1200MX | 69 |
| E1200WMX | 69 |
| E1200LAMX | 69 |
| E1210MX | 69 |
| E1210WMX | 69 |
| E1210LAMX | 69 |
| E1220MX | 69 |
| E1230MX | 69 |
| E1400CMX | 68 |
| E1500CMX | 65 |

| Temporizador enchufable Mecanico - 24hrs | |
|---|----|
| TN311MX | 77 |
| TN11RM40MX | 78 |
| Temporizador enchufable Electronico - 7-Dias | |
| DT620MX | 79 |
| HB880RMX | 79 |

| Sensores de Ocupación de pared | |
|---------------------------------------|----|
| IOS-DDR-WHMX | 86 |
| IOS-DSR-IVMX | 85 |
| IOS-DSR-WHMX | 85 |
| IOS-DOV-WHMX | 86 |
| IOS-DPBF-WHMX | 87 |
| IOS-DSIF-IVMX | 87 |
| IOS-DSIF-WHMX | 87 |
| IOS-DSIMF-IVMX | 87 |
| IOS-DSIMF-WHMX | 87 |
| IOS-DPBIMF-WHMX | 87 |
| Sensores de Ocupación de techo | |
| IOS-CMP-UHCMX | 84 |
| IOS-CMP-UMX | 84 |
| IOS-HB-UMX | 84 |

| Model # | No Pagina |
|--|-----------|
| Fotoceldas Fijos - Interruptor Termico | |
| K4021CMX | 96 |
| K4023CMX | 96 |
| K4321CMX | 96 |
| K4121CMX | 95 |
| K4123CMX | 95 |
| K4221CMX | 95 |
| K4223CMX | 95 |
| K4236CMX | 95 |
| K4251MX | 95 |
| K4141CMX | 95 |
| Fotoceldas Enchufable - Interruptor Termico | |
| LC4513MX | 94 |
| LC4521MX | 94 |
| LC4523MX | 94 |
| LC4536CMX | 94 |
| LC4536LACMX | 94 |
| LC2100MX | 94 |
| Fotoceldas Enchufable - Electronico | |
| LED4536SCMX | 92 |
| EK4536MX | 92 |
| ELC4536MX | 92 |
| Fotoceldas - Accesorio | |
| K121MX | 97 |
| K121-30MX | 97 |
| K122MX | 97 |
| K171H | 97 |

| Supresores de Corriente 50KA para Residencias y Edificios Comerciales | |
|--|-----|
| IG1200RC3MX | 129 |
| IG1240RC3MX | 129 |
| Supresores de corriente 50KA Installable a la Interperie | |
| AG2401C3MX | 128 |
| Supresores de Corriente para Equipos HVAC | |
| AG3000MX | 136 |

| Cubiertas para Intemperie Plasticas | |
|--|-----|
| WP3100CMX | 148 |
| WP1000CMX | 149 |
| WP1020CMX | 150 |
| WP1220CMX | 151 |

Enclosures and Reference

Timer Selection Guide

| Mechanical/Electronic | Time Switch Type | 24-Hour, 7-Day or 365-Day | # of Circuits | A Rating | Switch Rating | Total ON/OFF Events |
|-----------------------|---|--|-----------------|----------|------------------------|---|
| Electromechanical | Auto-Voltage or Multivoltage | 24-Hour or 7-Day | 1 | 40 | SPDT, DPDT | 96-Events for 24-Hours/ 48-Events for Weekly with Captive Trippers |
| Mechanical | Panel Mount | 24-Hour or 7-Day | 1 | 21 | SPDT | 96-Events for 24-Hours/ 48-Events for Weekly with Captive Trippers |
| Mechanical | Flush, Surface or DIN Rail Mount | 24-Hour or 7-Day | 1 | 21 | SPDT | 96-Events for 24-Hours/ 48-Events for Weekly with Captive Trippers |
| Mechanical | General Purpose | 24-Hour | 1 | 40 | SPST, SPDT, DPDT | 12 |
| Mechanical | 24-Hour with Skipper | 24-Hour | 1 | 40 | SPST, SPDT, DPDT, 4PST | 10 |
| Mechanical | 24 Hour with Skipper | 24-Hour | 1 | 20 | SPDT | 96 |
| Mechanical | Percentage Cycle Timer | 1, 3, 5, 10, 30-Minutes; 1, 4-Hours (CT1000 does not have a 4-Hour Increment) | 1 | 20 | SPST | 3% to 97% Cycle Duration |
| Mechanical | Irrigation/Sprinkler | 24-Hour with Skip-a-day Selection | 1 | 15-25 | SPDT | 60 |
| Mechanical | Compact 7-Day | 7-Day | 1 | 20 | SPDT | 84 |
| Mechanical | 7-Day Dial with/without Carry-over | 7-Day | 1 | 40 | 4PST | Different ON/OFF Program for Each Day of the Week |
| Mechanical | Water Heater | 24-Hour | 1 | 40 | DPST | T104-20 (2 ON/OFF per Day) WH (1 ON/OFF per Day) |
| Electromechanical | Defrost Timer | 24-Hour | 1 | 40 | SPDT, SPST | 1 to 24/24-Hour Period |
| Mechanical | In-Wall Spring Wound | Decorator and Commercial Style | 1 | 15 | Varies | Various increments with/without "HOLD" |
| Mechanical | In-Wall Mechanical | 24-Hour | 1 | 20 | SPST | 36 (72 Captive Trippers in 20-Minute Increments) |
| Electronic | Auto-Voltage 120-277 VAC | 24-Hour or 7-Day | 1 | 40 | SPDT, DPDT | 96 |
| Electronic | Panel Mount | 24-Hour and/or 7-Day | 1 & 2 | 16 | SPDT | Various |
| Electronic | Flush, Surface or DIN Rail Mount | 24-Hour and/or 7-Day | 1 & 2 | 16 | SPDT | Various |
| Electronic | 24-Hour, Multivoltage | 24-Hour | 1 & 2 | 30 | SPST, DPST | 28 |
| Electronic | 24-Hour with Holiday, Multivoltage | 24-Hour with Exceptions | 1, 2 & 4 | 30 | | 96+ |
| Electronic | 7-Day, Multivoltage | 7-Day with Exceptions | 1 & 2 | 30 | SPST, SPDT, DPST | 28 |
| Electronic | 7-Day with Holiday, Multivoltage | 7-Day with Exceptions | 1, 2 & 4 | 30 | | 96+ |
| Electronic | 7-Day Astronomic, Multivoltage | Astronomic 7-Day | 1 & 2 | 30 | SPST, SPDT, DPST | 28 |
| Electronic | 7-Day Astronomic with Holiday, Multivoltage | Astronomic 7-Day with Exceptions | 1, 2 & 4 | 30 | | 96+ |
| Electronic | 365-Day Advanced Control | 365-Day | 1, 2, 4, 8 & 16 | 30 | SPST, SPDT, DPST, DPDT | 2000+ |
| Electronic | Water Heater | 7-Day with Exceptions | 1 | 30 | SPST, DPST | 42 |
| Electronic | In-Wall | Count Down Timers in Various Increments | 1 | 15 | SPST | N/A |
| Electronic | In-Wall | Programmable Countdown Timer 24-Hour | 1 | 20 | Single Pole/Three Way | 1 |
| Electronic | In-Wall | Programmable 7-Day | 1 | 15 | Single Pole | 7 |
| Electronic | In-Wall | Programmable 7-Day with Astro | 1 | 15/20 | Single Pole/Three Way | 40/Week |

| Minimum ON/OFF Time | Temperature Input | Skip-A-Day | Carry-over | Astro | Daylight Saving Time | Product Series | Page(s) |
|--|-------------------|------------|------------|-------|----------------------|-----------------------|---------|
| 15-Minutes for 24-Hours/ 48-Events for Weekly with Captive Trippers | No | Yes | Optional | No | No | GM40AV | 50 |
| 15 Minutes for 24 Hours/48 Events for Weekly with Captive Trippers | No | No | Optional | No | No | FMI - SERIES | 47 |
| 15 Minutes for 24 Hours/48 Events for Weekly with Captive Trippers | No | No | Optional | No | No | MIL72 SERIES | 48-49 |
| 1 Hour | | No | No | No | No | T100 | 40 |
| 1 Hour | | Yes | Optional | No | No | T170 | 41 |
| 15 Minutes | | Yes | Optional | No | No | T1900 | 42 |
| 1 Second | | No | No | No | No | CT2000 | 56 |
| 12 Minute | | Yes | No | No | No | R8800/T8800 Series | 57 |
| 2 Hours | | No | No | No | No | T2000 | 45 |
| 3.5 Hours | | No | Optional | No | No | T7000 Series | 44 |
| 1 Hour | | No | Yes | No | No | T104-20/WH40 | 59 |
| 15-Minutes Minimum ON/OFF Time; 23-Hours 45-Minutes Max Off Time | Yes | No | Optional | No | No | DTAV40 | 108 |
| Varies | | N/A | N/A | N/A | N/A | FD Series & FF Series | 70-71 |
| 20 Minute | | N/A | N/A | N/A | N/A | KM2 Series | 67 |
| 1 Minute | | Yes | Yes | No | No | GM40AVE-RD89 | 34 |
| 1 Minute | No | Yes | Yes | No | Yes | FMD - SERIES | 30-33 |
| 1 Minute | No | Yes | Yes | No | Yes | FMD - A&E SERIES | 30-33 |
| 1 Minute | | Yes | Yes | No | Yes | ET1100 | 26 |
| 1 Minute | | Yes | Yes | No | Yes | ET2100 | 24 |
| 1 Minute | | Yes | Yes | No | Yes | ET1700 | 26 |
| 1 Minute | | Yes | Yes | No | Yes | ET2700 | 24 |
| 1 Minute | | Yes | Yes | Yes | Yes | ET8000 | 26 |
| 1 Minute | | Yes | Yes | Yes | Yes | ET2800 | 24 |
| 1 Second | | Yes | Yes | Yes | Yes | ET90000 | 22 |
| 1 Minute | | Yes | Yes | No | No | EH Series | 59 |
| Varies | | N/A | N/A | N/A | N/A | EI200 | 69 |
| 1 Second | | N/A | N/A | No | No | EI400 | 68 |
| 1 Minute | | N/A | N/A | No | No | EI500 | 65 |
| 1 Minute | | N/A | N/A | Yes | Yes | ST01/EI600 | 64 |

NOTES

Table of Contents

- ADVANCED LIGHTING CONTROLS (PAGES 10-19)
 - ELECTRONIC CONTROLS (PAGES 20-37)
 - MECHANICAL TIME SWITCH (PAGES 38-53)
 - SPECIALTY TIMERS (PAGES 54-59)
 - IN-WALL TIMERS (PAGES 60-73)
 - PLUG-IN TIMERS (PAGES 74-79)
 - OCCUPANCY SENSORS (PAGES 80-87)
 - PHOTOCONTROLS (PAGES 88-99)
 - HOUR METERS (PAGES 100-105)
- REFRIGERATION TEMPERATURE CONTROLS (PAGES 106-117)
 - SURGE PROTECTION (PAGES 118-133)
- HVAC SURGE & POWER PROTECTION (PAGES 134-139)
 - WEATHERPROOF COVERS (PAGES 140-153)
 - POOL & SPA (PAGES 154-185)
 - ENCLOSURES & REFERENCE (186-193)

Intermatic Incorporated
Global Headquarters
1950 Innovation Way, Suite 300
Libertyville, IL 60048
www.intermatic.com
+1 815 675 7000

Intermatic de Mexico S. de R.L. de C.V.
Juárez Manufacturing
AV. Don Manuel Talamas No. 405.
Parque Industrial Independencia I.
Juarez, CP 32575
Mexico

Intermatic Incorporated
El Paso Warehouse/Distribution
12429 Rojas Drive
El Paso, TX 79928

Intermatic Far East LLC
Asia Sales Office
Intermatic Far East
Enterprise Square 1002 Tower 3
9 Sheung Yuet RD
Kowloon, Hong Kong
+852 2340 3209

Intermatic Canada ULC
Canadian Sales Office
1200 Cardiff Boulevard Mississauga,
Ontario L5S 1P6
Canada
+1 905 696 7621

Austria/Germany/Switzerland/
Eastern Europe/Nordic Countries
Intermatic GmbH Bad Nauheimer
Strasse 4, 64289 Darmstadt
Germany
+49 1522 4139970

Africa/Asia/South & West Europe/
Middle East/United Kingdom
Intermatic UK Limited
United Kingdom
+44 7845 669135

Lighting Controls | Surge Protection | Weatherproof Covers | Pool & Spa Solutions
Timers | HVAC/R Solutions | Photocontrols

